

# Pilot and Signaling Devices

## Heavy-Duty 30.5 mm Watertight/Oiltight Accessories

### CR104P

Accessories, Components and Kits  
 600 Volts max. AC/DC  
 10 Amperes Continuous

#### Keys

Description	For use with	Product Number
Spare standard cylinder lock key	Key-Operated Selection Switches	CR104P XK95
Spare CH501 cylinder lock key	Key-Operated Selection Switches	CR104P XK51
1.5 mm hex key	Push-turn Switch Levers	CR104P XG107
2.0 mm hex key	Standard Push Buttons, Push-turn Mushroom-head Push Buttons	CR104P XG108
2.5 mm hex key	Potentiometer Operators, Push-turn Mushroom-head Push Buttons	CR104P XG109

#### Display Panels

Description	Product Number
Assembled display panel- 4 operators	CR104PD001B
Assembled display panel - 12 operators	CR104PD001A

#### Terminals

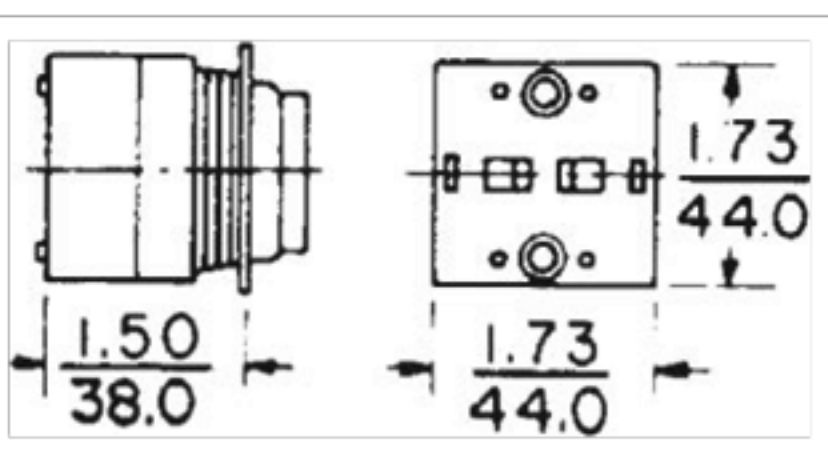
Description	Product Number
100 quick-connect terminals For 9-position joystick contact blocks	CR104P XG102

#### Modification Kits

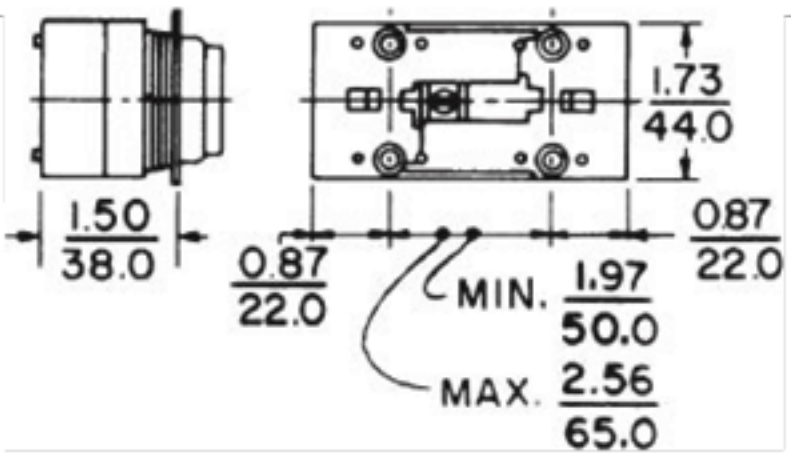
Kit Type	Description	Product Number
Push-on/Push-off	Converts standard momentary operator to push-on/push-off	CR104P XF11 <sup>1,2</sup>
Maintained Mechanical Latch for Two Push Buttons	Makes one standard or 1 3/8" mushroom-head push button a latch, another a release	CR104P XF21 <sup>2</sup>
Mechanical Interlock	Prevents simultaneous operation Prevents simultaneous operation	CR104P XF23 <sup>2</sup>
Push-pull	Converts momentary mushroom-head push button to push-to-latch/pull-to-release	CR104P XF12 <sup>2</sup>
Lockout Attachment	Padlockable device to hold standard flush or extended push button in depressed position	CR104P XG13
Locking Cover	Padlockable clear cover for standard knob-operated selector switch	CR104P XG16

<sup>1</sup>This kit can only be used with CR104PXC01 (NC) and/or CR104PXC10E (NO early closing contact blocks).  
<sup>2</sup>Not for use with illuminated forms.

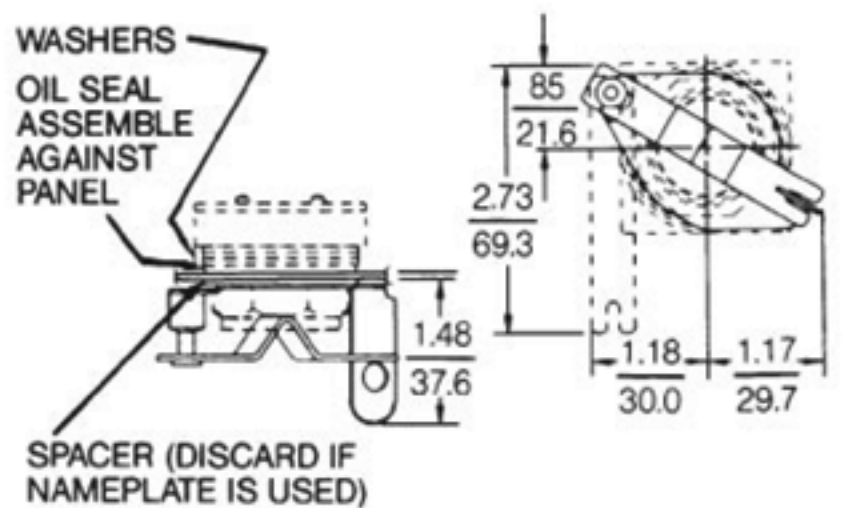
#### Outlines, Dimensions (in/mm) (For Estimating Only)



CR104PXF11, CR104PXF12  
Modification Kit



CR104PXF21, CR104PXF23  
Modification Kit



CR104P XG13  
Modification Kit



CR104PD001A Display Panel  
- 12 Operators



CR104PXF11 Modification Kit  
- Push on/Push off



CR104PXF21 Modification Kit -  
Maintained Mech. Latch for  
2 Push Buttons



CR104P XG13 Lockout Attachment



CR104P XG16 Locking Cover

