



Model 19RT



Model 19SHT



Model 19RL

APPLICATION:

Metering.

FREQUENCY:

50-400 Hz.

INSULATION LEVEL:

600 Volts, 10 kV BIL full wave.

SHT terminal are brass studs No. 8-32 with one flatwasher, lockwasher and regular nut.

RT terminal are brass are studs No. 10-32 with one flatwasher, lockwasher and regular nut.

Flexible leads are UL 1015, 105°C, CSA approved, #16 AWG, 24" long. Non-standard, lead length can be specified.

Order mounting bracket kit 0221B00183 separately for model 19SHT.

Order bus bar mounting kit 0221A26075 separately, factory installed.

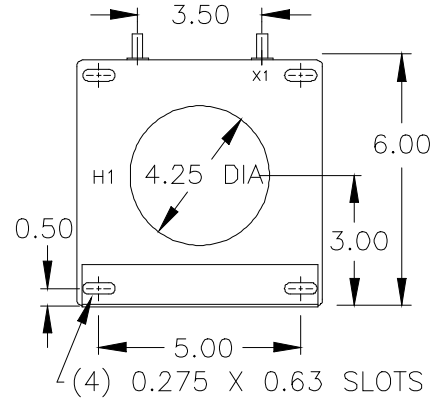
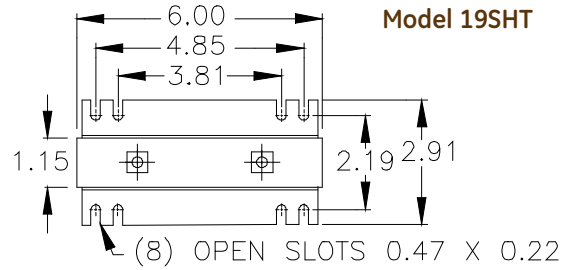
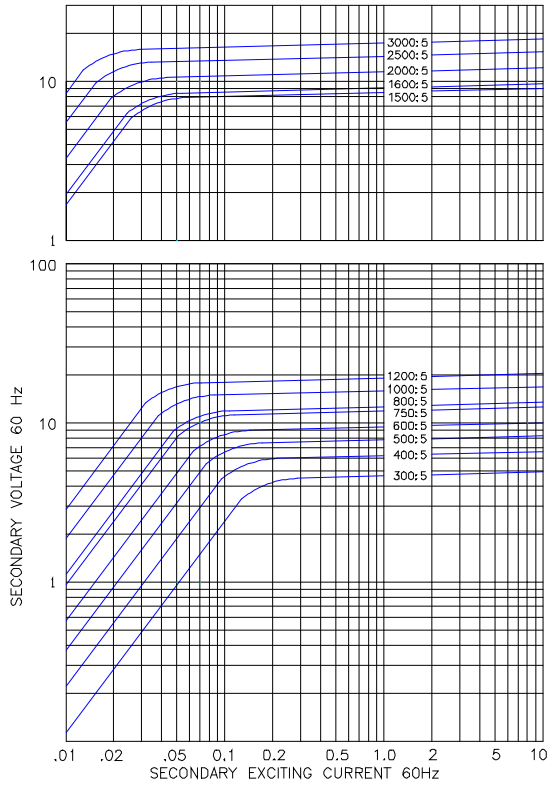
Approximate weight 3 lbs.

CATALOG NUMBER	CURRENT RATIO	V.A. ± 1% CLASS	ANSI METERING CLASS AT 60HZ					SECONDARY WINDING RESISTANCE (OHMS @ 75°C)	CONTINUOUS THERMAL RATING FACTOR	
			B0.1	B0.2	B0.5	B0.9	B1.8		@ 30°C	@ 55°C
19**-301	300:5	4.0	0.6	1.2	2.4	—	—	0.048	2.0	2.0
19**-401	400:5	10.0	0.3	0.6	1.2	—	—	0.064	2.0	2.0
19**-501	500:5	15.0	0.3	0.6	1.2	—	—	0.087	2.0	1.5
19**-601	600:5	15.0	0.3	0.3	0.6	1.2	—	0.116	2.0	1.5
19**-751	750:5	25.0	0.3	0.3	0.6	0.6	—	0.145	1.5	1.33
19**-801	800:5	30.0	0.3	0.3	0.6	0.6	—	0.155	1.5	1.33
19**-102	1000:5	30.0	0.3	0.3	0.6	0.6	—	0.242	1.33	1.0
19**-122	1200:5	40.0	0.3	0.3	0.3	0.6	—	0.291	1.33	1.0
19**-152	1500:5	15.0	0.3	0.3	0.6	1.2	—	0.200	1.5	1.0
19**-162	1600:5	15.0	0.3	0.3	0.3	0.6	—	0.213	1.5	1.0
19**-202	2000:5	20.0	0.3	0.3	0.3	0.6	—	0.266	1.33	1.0
19**-252	2500:5	20.0	0.3	0.3	0.3	0.3	—	0.333	1.0	0.8
19**-302	3000:5	25.0	0.3	0.3	0.3	0.3	—	0.399	1.0	0.8

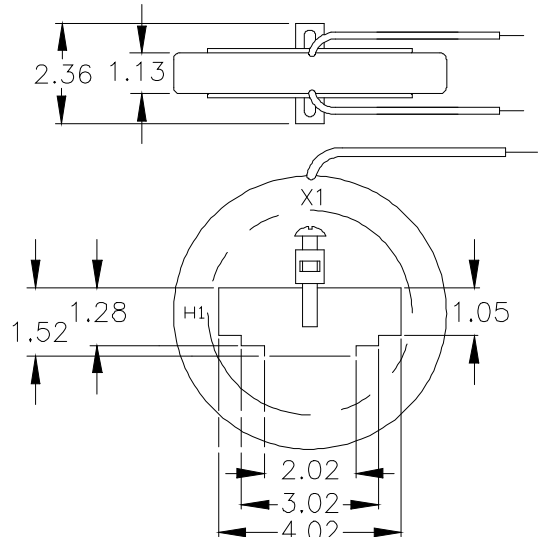
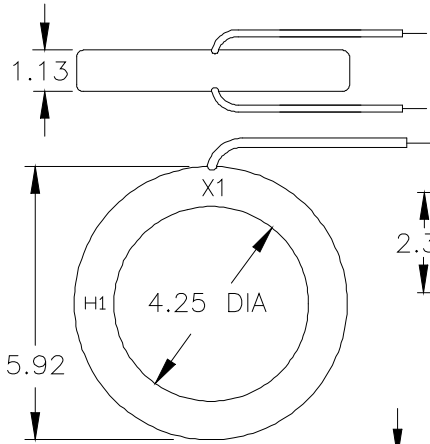
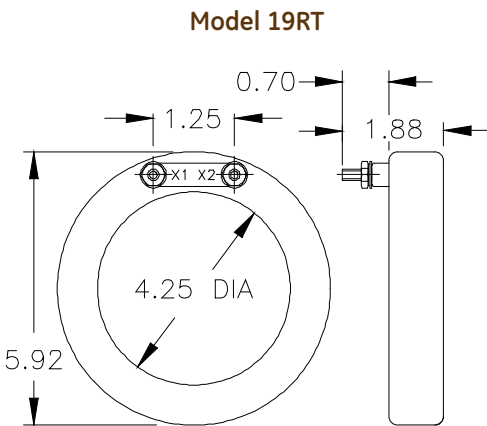
**Note: When ordering, prefix Cat No. with model designation required i.e. 19RL-301, 19SHT-301, etc.

Model 19

EXCITATION CURVE



Model 19RL



USA, Canada, Asia, Latin America

Tel: +1-800-547-8629

Fax: +1-905-201-2455

e-mail: sales.multilin@ge.com

Europe, Middle East, Africa

Tel: +34-94-485-88-00

Fax: +34-94-485-88-45

e-mail: gemultilin.euro@ge.com

Please refer to our website www.GEMultilin.com for more detailed contact information

CS00A40451 Rev. 2 12/09