

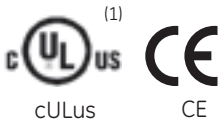
## Three and four pole contactors 150 to 825A (AC3) 200 to 1250A (AC1)

- Control circuit: Alternating current up to 690V  
Direct current up to 500V
- Degree of protection IP00 (IPxxB with accessories)
- CK07...CK13: auxiliary and coil terminals originally protected against accidental contacts.  
Protection for power contacts on request (see accessories)
- Terminals protected against accidental contacts according to VDE 0106 T.100, VBG4.
- CK\_ \_E with electronic module suitable for DC and AC. (50/60Hz)
- CK contactors always provided with one auxiliary contact block BCLL11 (1NO+1NC)

### Standards

|                  |                |
|------------------|----------------|
| IEC/EN 60947-1   | CSA 22.2/14    |
| IEC/EN 60947-4-1 | CENELEC HD 419 |
| IEC/EN 60947-5-1 | NFC 63-110     |
| EN 50005         | ASE 1025       |
| UL 508           | UNE 20109      |
| NEMA ICS 1       | VDE 0660/102   |
| BS 5424 & 775    |                |

### Approvals



### Standard voltages

To complete the catalogue number, replace the symbol  $\blacklozenge$  by the code corresponding to the voltage and frequency of the control circuit.

#### Alternating current (V)

Three-pole contactors: CK75CA3..., CK08CA3..., CK85BA3...  
Four-pole contactors: CK07BA4..., CK08BA4...

| $\blacklozenge$ | C  | D  | F  | G | H   | I   | J   | K   | M   | N   | R   | S   | T   | U   | V   | W   | X   | Y   | Z   |
|-----------------|----|----|----|---|-----|-----|-----|-----|-----|-----|-----|-----|-----|-----|-----|-----|-----|-----|-----|
| 50Hz            | 24 | 42 | 48 |   |     |     | 110 | 127 |     | 220 | 240 |     |     | 380 |     | 415 | 440 | 500 | 660 |
| 60Hz            | 24 |    | 48 |   | 110 | 120 |     |     | 220 | 277 |     | 240 | 380 | 480 | 440 |     |     |     | 600 |

#### Alternating current (V). Dual-frequency coil

Three-pole contactors: CK75CA3..., CK08CA3..., CK85BA3...  
Four-pole contactors: CK07BA4..., CK08BA4...

| $\blacklozenge$ | 1  | 2  | 3   | 6   | 13  |
|-----------------|----|----|-----|-----|-----|
| 50/60Hz         | 24 | 48 | 110 | 230 | 400 |

#### Alternating current (V)

Three-pole contactors: CK13BA3...  
Four-pole contactors: CK13BA4...

| $\blacklozenge$ | J   | N   | U   | Y   | Z   |
|-----------------|-----|-----|-----|-----|-----|
| 50/60Hz         | 110 | 220 | 380 | 480 | 600 |
|                 | 240 | 440 | 500 | 660 |     |

#### Control circuit with rectifier bridge

| $\blacklozenge$ | J   | N   | U   |
|-----------------|-----|-----|-----|
| 50Hz            | 110 | 220 | 380 |
|                 | 230 | 400 |     |
| 60Hz            | 120 | 240 | 480 |

#### Direct current (V). With electronic module (0.7 ... 1.3 x Us)

Three-pole contactors: CK75CE3..., CK08CE3....

| $\blacklozenge$ | WD | WE | WF | WH | WJ  | WN  |
|-----------------|----|----|----|----|-----|-----|
| Voltage         | 24 | 33 | 48 | 72 | 110 | 220 |

#### Alternating c. / Direct c. (V). With electronic module (0.8 ... 1.10 x Us)

Three-pole & four-pole contactors: CK ..... E.....

| $\blacklozenge$ | D  | F  | J   | N   | U   | Y   |
|-----------------|----|----|-----|-----|-----|-----|
| Voltage         | 24 | 42 | 110 | 220 | 380 | 440 |
|                 | 28 | 48 | 127 | 250 | 415 | 500 |

(1) CK13 not UL

- Order codes ● pg. C.19
- Aux. contact blocks ● pg. C.20
- Accessories & Spares ● pg. C.21
- Technical data ● pg. C.42
- Dimensions ● pg. C.58



Three pole contactors



| Max.oper.current<br>Non-inductive loads<br>AC1<br>A | Motors<br><440V,<br>3 ~<br>50/60Hz<br>AC3<br>A | Admissible power AC3 |              |              |              |            | Electrical<br>endurance<br><br>Cat.<br>AC3<br>Operations | Control circuit:<br>Alternating<br>current |      | Control circuit:<br>A.C. / D.C. |      |
|---|--|----------------------|--------------|--------------|--------------|------------|--|--|------|---------------------------------|------|
|   |  | 220V<br>230V         | 380V<br>400V | 415V<br>440V | 440V<br>440V | 500V       |  | Cat. no. <sup>(1)</sup>                    | Pack | Cat. no. <sup>(1)</sup>         | Pack |
| 250   | 150  | 45<br>60             | 75<br>100    | 80<br>108    | 80<br>108    | 100<br>135 | 1.7x10 <sup>6</sup>                                      | CK75CA311 ♦                                | 1    | CK75CE311 ♦                     | 1    |
| 250   | 185  | 55<br>75             | 90<br>125    | 100<br>135   | 100<br>135   | 110<br>150 | 1.2x10 <sup>6</sup>                                      | CK08CA311 ♦                                | 1    | CK08CE311 ♦                     | 1    |
| 315   | 205  | 65<br>88             | 110<br>150   | 125<br>170   | 125<br>170   | 132<br>180 | 1.7x10 <sup>6</sup>                                      | CK85BA311 ♦                                | 1    | CK85BE311 ♦                     | 1    |
| 315   | 250  | 75<br>100            | 132<br>180   | 132<br>180   | 132<br>180   | 160<br>220 | 1.5x10 <sup>6</sup>                                      |  |      | CK09BE311 ♦                     | 1    |
| 450   | 309  | 90<br>125            | 160<br>220   | 160<br>220   | 185<br>250   | 200<br>270 | 1.1x10 <sup>6</sup>                                      |  |      | CK95BE311 ♦                     | 1    |
| 600   | 420  | 125<br>170           | 220<br>300   | 230<br>312   | 230<br>312   | 300<br>405 | 1x10 <sup>6</sup>  |  |      | CK10CE311 ♦                     | 1    |
| 700   | 550  | 160<br>220           | 280<br>380   | 315<br>425   | 315<br>425   | 400<br>540 | 0.8x10 <sup>6</sup>                                      |  |      | CK11CE311 ♦                     | 1    |
| 1000  | 700  | 220<br>300           | 375<br>510   | 400<br>540   | 425<br>540   | 480<br>650 | 0.7x10 <sup>6</sup>                                      |  |      | CK12BE311 ♦                     | 1    |
| 1250  | 825  | 250<br>340           | 450<br>610   | 450<br>610   | 450<br>610   | 500<br>680 | 0.7x10 <sup>6</sup> (2)                                  | CK13BA311 ♦                                | 1    |                                 |      |

|                   |  |          |   |  |
|-------------------|--|----------|---|--|
| Spare coil        | CK75CA3 ... CK08CA3  | C12168 ♦ | 1 |  |
|                   | CK85BA3  | C04255 ♦ | 1 |  |
|                   | CK13BA3  | C08998 ♦ | 1 |  |
|                   | Control circuit with incorporated rectifier bridge CK13BA3 | C09120 ♦ | 1 |  |
| Coil              | CK75CE3 ... CK08CE3  | KB4E ♦   | 1 |  |
|                   | CK85BE3 ... CK95BE3  | KB5E ♦   | 1 |  |
|                   | CK12BE3  | KB6E ♦   | 1 |  |
| Electronic module | CK10CE3 ... CK11CE3  | KB7E ♦   | 1 |  |
|                   | CK75CE3 ... CK08CE3  | KM4E ♦   | 1 |  |
|                   | CK85BE3 ... CK95BE3  | KM5E ♦   | 1 |  |
|                   | CK12BE3  | KM6E ♦   | 1 |  |
|                   | CK10CE3 ... CK11CE3  | KM7E ♦   | 1 |  |

(1) To complete the catalogue number, replace the symbol ♦ by the code corresponding to the voltage and frequency of the control circuit (see C.18).  
 (2) CK13 non allow the aux. block in right side.

For reference numbers, see chapter X, pg. X.7



3P and 4P contactors

A

B

C

D

E

F

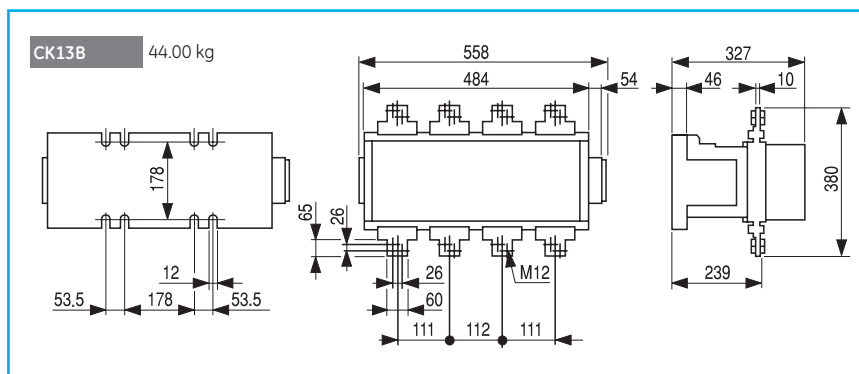
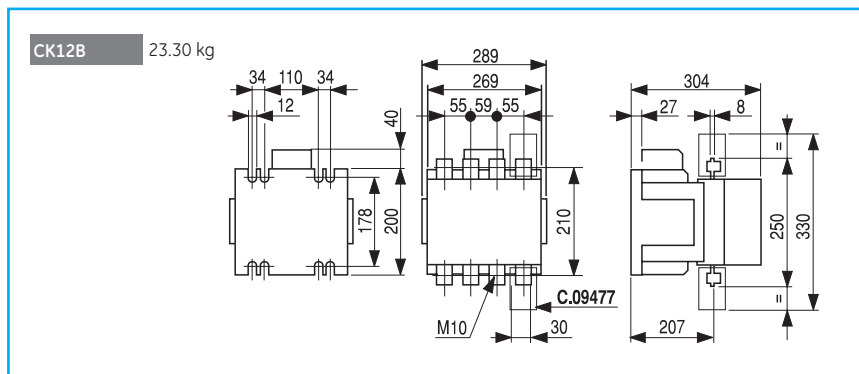
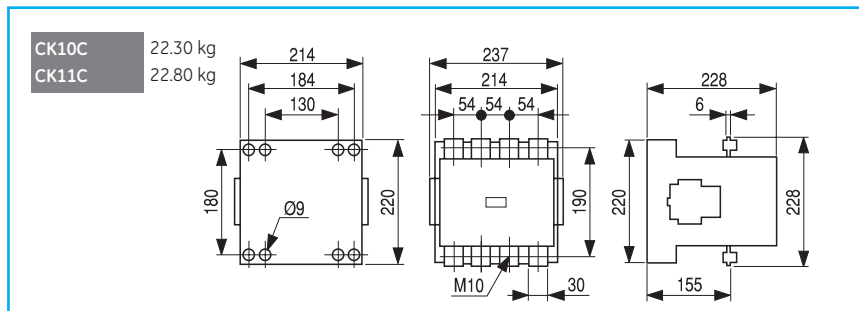
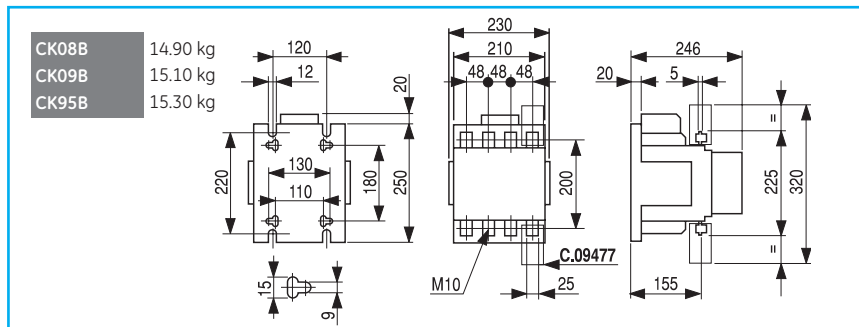
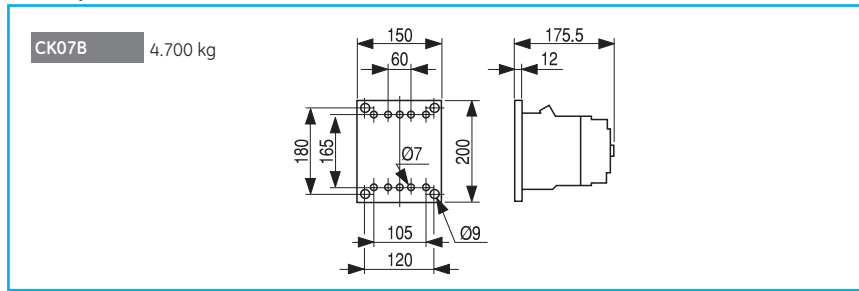
G

H

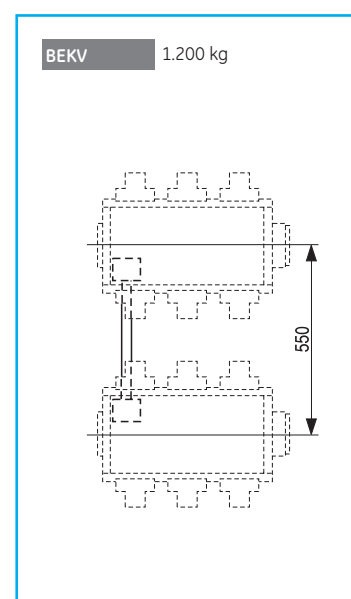
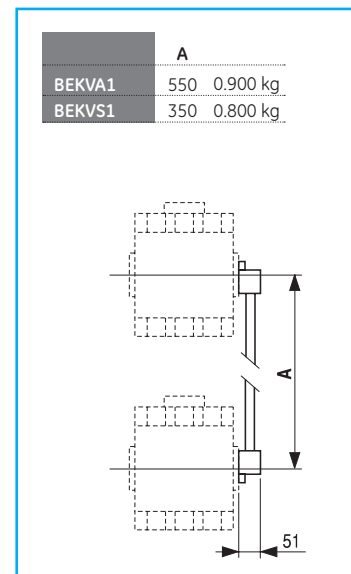
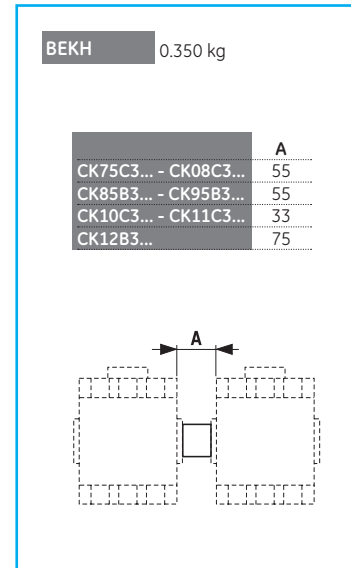
I

X

Four pole contactors



Mechanical interlock



3P and 4P contactors

A

B

C

D

E

F

G

H

I

X

