



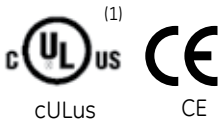
Three and four pole contactors 150 to 825A (AC3) 200 to 1250A (AC1)

- Control circuit: Alternating current up to 690V
Direct current up to 500V
- Degree of protection IP00 (IPxxB with accessories)
- CK07...CK13: auxiliary and coil terminals originally protected against accidental contacts
Protection for power contacts on request (see accessories)
- Terminals protected against accidental contacts according to VDE 0106 T.100, VBG4
- CK...E with electronic module suitable for DC and AC. (50/60Hz)
- CK contactors always provided with one auxiliary contact block BCLL11 (1NO+1NC)

Standards

IEC/EN 60947-1	CSA 22.2/14
IEC/EN 60947-4-1	CENELEC HD 419
IEC/EN 60947-5-1	NFC 63-110
EN 50005	ASE 1025
UL 508	UNE 20109
NEMA ICS 1	VDE 0660/102
BS 5424 & 775	

Approvals



Lloyd's Register



Bureau Veritas



RINA

Standard voltages

To complete the catalogue number, replace the symbol ♦ by the code corresponding to the voltage and frequency of the control circuit. (other voltages on request)*

Alternating current (V)

Three-pole contactors: CK75CA3..., CK08CA3..., CK85BA3...
Four-pole contactors: CK07BA4..., CK08BA4...

♦	C	D	F	G	H	I	J	K	M	N	R	S	T	U	V	W	X	Y	Z
50Hz	24	42	48				110	127		220	240			380		415	440	500	660
								230					400					690	
60Hz	24		48		110	120				220	277		240	380	480	440			600

Alternating current (V). Dual-frequency coil

Three-pole contactors: CK75CA3..., CK08CA3..., CK85BA3...
Four-pole contactors: CK07BA4..., CK08BA4...

♦	1	2	3	6	13
50/60Hz	24	48	110	230	400

Alternating current (V)

Three-pole contactors: CK13BA3...
Four-pole contactors: CK13BA4...

♦	J	N	U	Y	Z
50/60Hz	110	220	380	480	600
		240	440	500	660

Control circuit with rectifier bridge

♦	J	N	U
50Hz	110	220	380
	230	400	
60Hz	120	240	480

Direct current (V). With electronic module (0.7 ... 1.3 x Us)

Three-pole contactors: CK75CE3..., CK08CE3....

♦	WD	WE	WF	WH	WJ	WN
Voltage	24	33	48	72	110	220

Alternating c. / Direct c. (V). With electronic module (0.8 ... 1.10 x Us)

Three-pole & four-pole contactors: CK E.....

♦	D	F	J	N	U	Y
Voltage	24	42	110	220	380	440
		28	48	127	250	415
			48	127	250	415

(1) CK13 not UL

* Please Consult GE for non standard Coil Voltages

Order codes	pg. C.19
Auxiliary contact blocks	pg. C.20
Accessories & Spares	pg. C.21
Dimensions	pg. C.30



Three pole contactors



Max.oper.current		Admissible power AC3					Electrical endurance	Control circuit: Alternating current		Control circuit: A.C. / D.C.	
Non-inductive loads	Motors <440V, 3 ~ 50/60Hz	220V 230V	380V 400V	415V 440V	440V 440V	500V		Cat. no. (1)	Pack	Cat. no. (1)	Pack
AC1 A	AC3 A	kW HP	kW HP	kW HP	kW HP	kW HP	Cat. AC3 Operations	Ref. no. see bottom		Ref. no. see bottom	
250	150	45 60	75 100	80 108	80 108	100 135	1.7x10 ⁶	CK75CA311 ♦	1	CK75CE311 ♦	1
250	185	55 75	90 125	100 135	100 135	110 150	1.2x10 ⁶	CK08CA311 ♦	1	CK08CE311 ♦	1
315	205	65 88	110 150	125 170	125 170	132 180	1.7x10 ⁶	CK85BA311 ♦	1	CK85BE311 ♦	1
315	250	75 100	132 180	132 180	132 180	160 220	1.5x10 ⁶			CK09BE311 ♦	1
450	309	90 125	160 220	160 220	185 250	200 270	1.1x10 ⁶			CK95BE311 ♦	1
600	420	125 170	220 300	230 312	230 312	300 405	1x10 ⁶			CK10CE311 ♦	1
700	550	160 220	280 380	315 425	315 425	400 540	0.8x10 ⁶			CK11CE311 ♦	1
1000	700	220 300	375 510	400 540	425 540	480 650	0.7x10 ⁶			CK12BE311 ♦	1
1250	825	250 340	450 610	450 610	450 610	500 680	0.7x10 ⁶ (2)	CK13BA311 ♦	1		

Spare coil

	CK75CA3 ... CK08CA3	C12168 ♦	1
	CK85BA3	C04255 ♦	1
	CK13BA3	C08998 ♦	1
	Control circuit with incorporated rectifier bridge CK13BA3	C09120 ♦	1

Coil	CK75CE3 ... CK08CE3	KB4E ♦	1
	CK85BE3 ... CK95BE3	KB5E ♦	1
	CK12BE3	KB6E ♦	1
Electronic module	CK10CE3 ... CK11CE3	KB7E ♦	1
	CK75CE3 ... CK08CE3	KM4E ♦	1
	CK85BE3 ... CK95BE3	KM5E ♦	1
	CK12BE3	KM6E ♦	1
	CK10CE3 ... CK11CE3	KM7E ♦	1

- (1) To complete the catalogue number, replace the symbol ♦ by the code corresponding to the voltage and frequency of the control circuit (see C.18).
 (2) CK13 non allow the aux. block in right side.

3P and 4P contactors

A

B

C

D

E

F

G

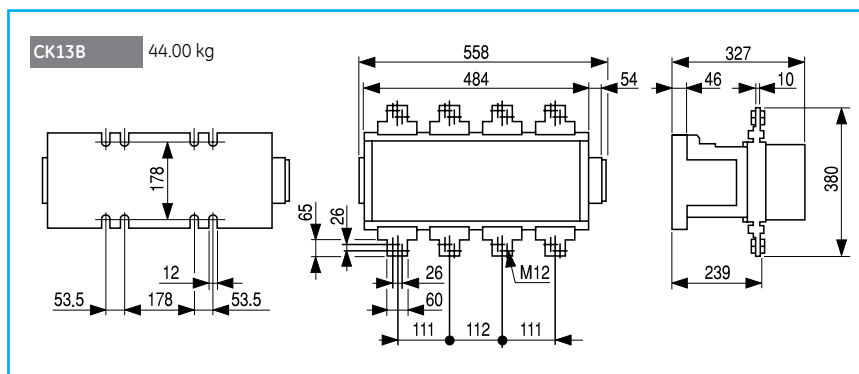
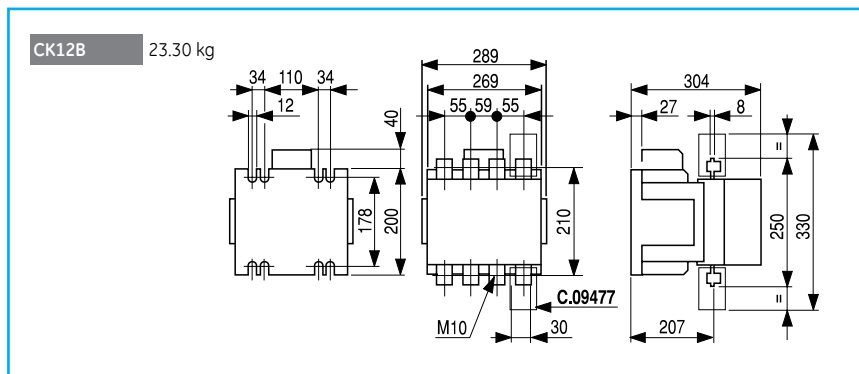
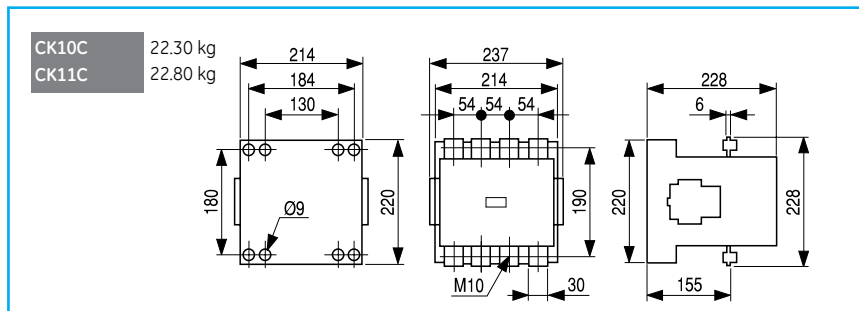
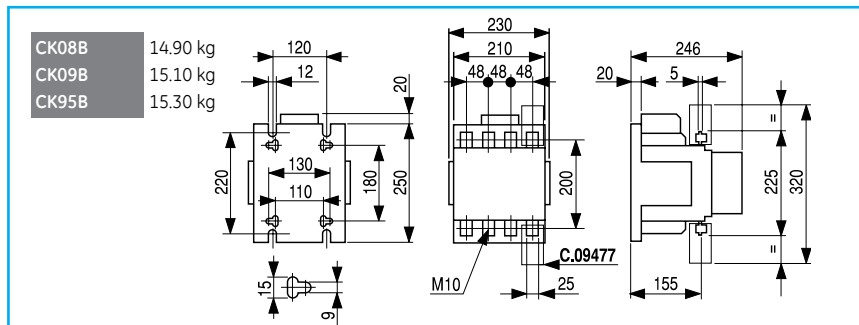
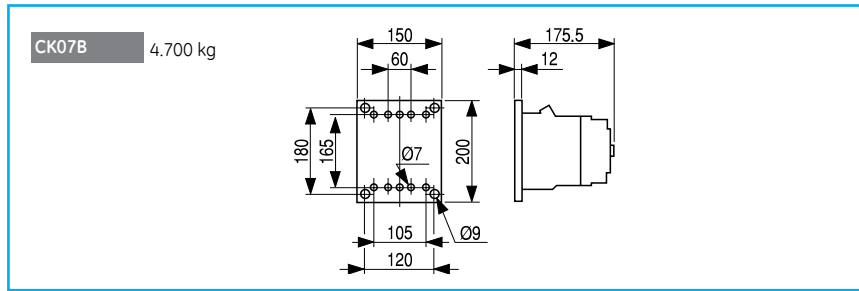
H

I

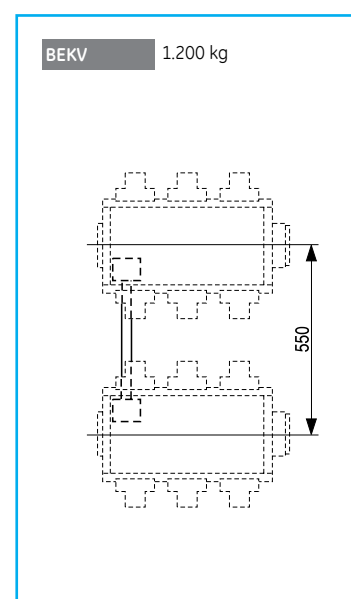
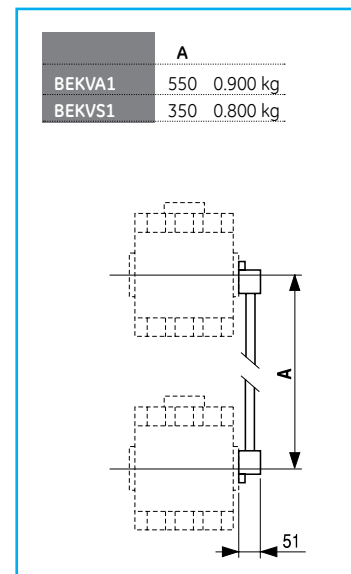
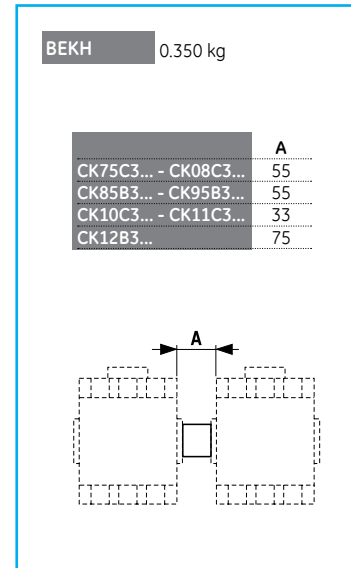
X



Four pole contactors



Mechanical interlock



3P and 4P contactors

A

B

C

D

E

F

G

H

I

X

