

50-3000VA, Encapsulated Open Core and Coils

GE Type IP transformers are now encapsulated designs to provide the highest quality electrical performance. The transformer coil is completely surrounded by epoxy, making the unit impervious to external elements.

Terminations are made of a new, rugged, high-impact plastic terminal strip. Full head #8 brass screws assure quick, easy terminations with maximum connection integrity.

The encapsulated design retains dimensions and footprint similar to our previous style core and coil units for easy exchange.

Options

Secondary fusing: Factory or field installed secondary fuse clips are available. They are restricted to units with terminal strips and a single secondary voltage or secondary with one tap.

Dual primary and secondary fusing: Factory or field installed dual primary and secondary fusing is available on all units, including leads out and multiple secondary voltages.

Leads out: Terminal strip is replaced by rugged primary and secondary leads emanating from the top of the encapsulated coil.

(Note: Refer to page 9 for CE compliant transformers)

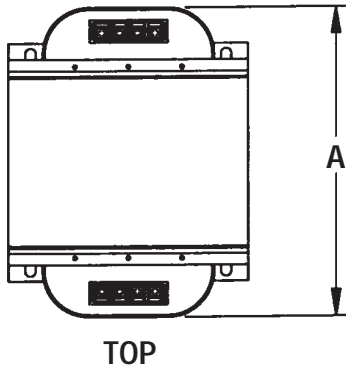
Machine Tool Applications

Single-Phase

Continuous kVA	Frame Size	Inrush VA at .20 PF, 95% sec. volt	Catalog Number Terminal Board
220/440, 230/460, 240/480 Volts Primary — 110, 115, 120 Volts Secondary — 60 Hertz			
.050	611	193	9T58K0042
.075	612	303	9T58K0043
.100	811	396	9T58K0044
.150	813	724	9T58K0045
.200	814	821	9T58K0046
.250	815	1034	9T58K0047
.300	817	1307	9T58K0048
.375	817	1441	9T58K0049
.500	1016	2027	9T58K0050
.750	12225	3092	9T58K0051
1.0	12300	4494	9T58K0052
1.5	14225	5156	9T58K0053
2.0	14300	9193	9T58K0054
3.0	14475	14513	9T58K0056
230/460/575 Volts Primary — 115/95 Volts Secondary — 50/60 Hertz			
.050	613	196	9T58K0062
.075	811	278	9T58K0063
.100	813	445	9T58K0064
.150	815	663	9T58K0065
.200	815	864	9T58K0066
.250	817	1137	9T58K0067
.300	1016	1412	9T58K0068
.375	1016	1670	9T58K0069
.500	1016	1822	9T58K0070
.750	12300	3524	9T58K0071
1.0	14225	4392	9T58K0072
1.5	14300	6753	9T58K0073
2.0	14475	11563	9T58K0074
208/277/380 Volts Primary — 115/95 Volts Secondary — 50/60 Hertz			
.050	613	217	9T58K0082
.075	811	322	9T58K0083
.100	813	464	9T58K0084
.150	815	761	9T58K0085
.200	815	837	9T58K0086
.250	817	1198	9T58K0087
.300	1016	1409	9T58K0088
.375	1016	1674	9T58K0089
.500	1016	1821	9T58K0090
.750	12300	3771	9T58K0091
1.0	14225	4234	9T58K0092
1.5	14300	7091	9T58K0093
2.0	14475	11729	9T58K0094

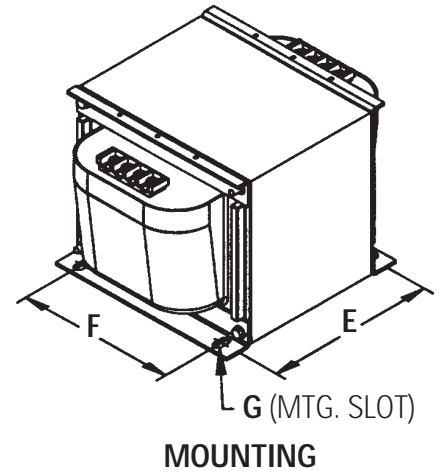
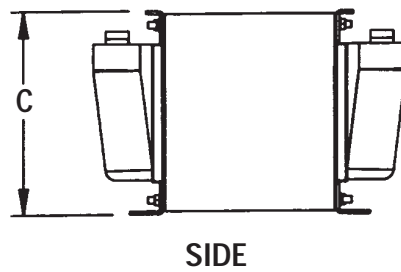
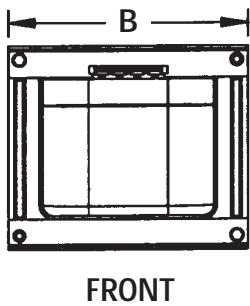
12 and 14 Frame

Terminal block



Encapsulated Transformer Dimensions and Weights

Frame	Ref 60 hz KVA	Approx Weight (lbs)	Dimensions (inches)					
			Maximum Envelope			Mounting		
			Depth A	Width B	Height C	Depth E	Width F	Slot G
12225	.75	13.0	5.81	5.31	4.62	3.38	4.0	.297x.580
12300	1.00	17.5	6.56	5.31	4.62	4.12	4.0	.297x.580
14225	1.50	29.0	6.31	6.81	5.88	3.38	5.5	.297x.580
14300	2.00	35.5	7.06	6.81	5.88	4.12	5.5	.297x.580
14475	3.00	51.5	8.81	6.81	5.88	5.88	5.5	.297x.580



Leads out

