

Transformers

Open Core and Coil Transformers

Machine Tool and Control Power

Description

Type IP transformers are core and coil units designed for machine tool, industrial control, panelboard, and general-purpose applications. These designs are now welded core and encapsulated to provide the highest quality electrical performance. The transformer coil is completely surrounded by epoxy, making the unit impervious to external elements. The lamination core is welded to provide superior quiet performance.

Several types of terminations are available to simplify installation. These include primary and secondary leads out, integral fuse, and spade-type terminals and our standard which is a touch proof terminal block. Consult your local GE Consumer & Industrial Sales Office for complete technical applications data.

- Standards:** Type IP units conform to NEMA ST20. They are UL listed under UL-506, File E—2739, and C-UL listed.
- Insulation Classes:** Generally, 150 VA and below are 105°C insulation class, 55°C rise. 200 VA and above are 185°C (NEMA), 180°C (UL) insulation class, 115°C rise. Maximum surface temperature rise is 65°C above ambient.
- Frequency:** 60 Hertz is standard; 50 Hertz is available as an option.
- Voltage Regulation:** All designs 2.0 kVA and below are compensated for voltage drop. Generally, this compensation ranges from 10% in the smallest rating to 3% for the largest. All machine tool designs meet or exceed NMTBA regulation requirements.
- Series-Multiple Secondary Connections:** Transformers with 120/240 V secondaries (series-multiple) may be connected for 120 V, 240 V or 240/120 V three-wire. Jumpers are provided.
- Overcurrent Protection:** Type IP transformers are low impedance transformers that require overcurrent protection for most applications. They provide for optional integral primary and/or secondary fusing.
- Mounting Dimensions:** Type IP transformers are lightweight, small, and designed for minimum mounting dimensions. Many units will fit competitors mounting footprints.



Machine Tool

Machine Tool Applications: Single-Phase (9T58K)
 Product Tables15-2
 Control: Single-Phase (9T58K) Product Tables15-3
 Options and Fusing Guide15-5
 Machine Tool Applications: Wiring Diagrams15-6
 Outlines and Dimensions15-7

CE-Rated

Product Tables (9T58E)15-8

Dry-Type/Cased

Isolated, General Purpose, Single-Phase,
 (9T51B and 9T21B) Product Tables15-9
 Isolated, CE-Rated (9T51E) Product Tables15-12
 Dimensions and Weights15-13
 Wiring Diagrams15-14



Transformers

Open Core and Coil Transformers

Control

Single-Phase

60 Hz Terminal Board Connection

Input Voltage	Output Voltage	KVA	Frame Size	Wiring Diagram No. ²	Product Number	List Price GO-80
240 x 480 Volts	120/240 Volts	0.05	6100	4	9T58K2802	\$36.00
240 x 480 Volts	120/240 Volts	0.075	6125	4	9T58K2803	\$42.00
240 x 480 Volts	120/240 Volts	0.1	8100	4	9T58K2804	\$45.00
240 x 480 Volts	120/240 Volts	0.15	8150	4	9T58K2805	\$57.50
240 x 480 Volts	120/240 Volts	0.2	8175	4	9T58K2806	\$65.00
240 x 480 Volts	120/240 Volts	0.25	8200	4	9T58K2807	\$73.00
240 x 480 Volts	120/240 Volts	0.3	8200	4	9T58K2808	\$76.00
240 x 480 Volts	120/240 Volts	0.375	8250	4	9T58K2809	\$96.00
240 x 480 Volts	120/240 Volts	0.5	10225	4	9T58K2810	\$104.00
240 x 480 Volts	120/240 Volts	0.75	12225	4	9T58K2811	\$128.00
240 x 480 Volts	120/240 Volts	1	12300	4	9T58K2812	\$164.00
240 x 480 Volts	120/240 Volts	1.5	14225	4	9T58K2813	\$215.00
240 x 480 Volts	120/240 Volts	2	14300	4	9T58K2814	\$274.00
240 x 480 Volts	120/240 Volts	3	14475	4	9T58K2815	\$360.00
600 Volts	120/240 Volts	0.1	8100	5	9T58K2824	\$45.00
600 Volts	120/240 Volts	0.2	8175	5	9T58K2826	\$65.00
600 Volts	120/240 Volts	0.3	8200	5	9T58K2828	\$73.00
600 Volts	120/240 Volts	0.5	10225	5	9T58K2830	\$104.00
600 Volts	120/240 Volts	1	12300	5	9T58K2832	\$194.00
600 Volts	120/240 Volts	2	14300	5	9T58K2834	\$306.00
600 Volts	120/240 Volts	3	14475	5	9T58K2835	\$398.00
120 x 240 Volts	120/240 Volts	0.1	8100	6	9T58K2907	\$44.00
120 x 240 Volts	120/240 Volts	0.2	8175	6	9T58K2909	\$65.50
120 x 240 Volts	120/240 Volts	0.3	8200	6	9T58K2911	\$72.00
120 x 240 Volts	120/240 Volts	0.5	10225	6	9T58K2913	\$101.00
120 x 240 Volts	120/240 Volts	0.75	12225	6	9T58K2914	\$121.00
120 x 240 Volts	120/240 Volts	1	12300	6	9T58K2915	\$155.00
120 x 240 Volts	120/240 Volts	2	14300	6	9T58K2917	\$261.00
120 x 240 Volts	120/240 Volts	3	14475	6	9T58K2918	\$344.00

60 Hz Terminal Board Connection

Input Voltage	Output Voltage	KVA	Frame Size	Wiring Diagram No. ²	Product Number	List Price GO-80
120 x 240 Volts	12/24 Volts	0.05	6100	7	9T58K2873	\$29.00
120 x 240 Volts	12/24 Volts	0.075	6125	7	9T58K2874	\$35.00
120 x 240 Volts	12/24 Volts	0.1	8100	7	9T58K2875	\$39.00
120 x 240 Volts	12/24 Volts	0.15	8150	7	9T58K2876	\$48.50
120 x 240 Volts	12/24 Volts	0.2	8175	7	9T58K2877	\$58.50
120 x 240 Volts	12/24 Volts	0.25	8200	7	9T58K2878	\$62.50
120 x 240 Volts	12/24 Volts	0.3	8200	7	9T58K2879	\$67.00
240 x 480 Volts	12/24 Volts	0.05	6100	—	9T58K3164	\$34.50
240 x 480 Volts	12/24 Volts	0.1	8100	—	9T58K4132	\$40.50
240 x 480 Volts	12/24 Volts	0.15	8150	—	9T58K4133	\$48.50
240 x 480 Volts	12/24 Volts	0.25	8200	—	9T58K3024	\$62.50
208 x 240 Volts	12/24 Volts	0.05	6100	—	9T58K4050	\$34.50
208 x 240 Volts	12/24 Volts	0.1	8100	—	9T58K4051	\$40.50
208 x 240 Volts	12/24 Volts	0.15	8150	—	9T58K4052	\$48.50
208 x 240 Volts	12/24 Volts	0.25	8200	—	9T58K4053	\$62.50

60 Hz Leads Out Connection¹

Input Voltage	Output Voltage	KVA	Frame Size	Wiring Diagram No. ²	Product Number	List Price GO-80
240 x 480 Volts	120/240 Volts	0.05	6100	4	9T58K1802	\$36.00
240 x 480 Volts	120/240 Volts	0.075	6125	4	9T58K1803	\$42.00
240 x 480 Volts	120/240 Volts	0.1	8100	4	9T58K1804	\$45.00
240 x 480 Volts	120/240 Volts	0.15	8150	4	9T58K1805	\$57.50
240 x 480 Volts	120/240 Volts	0.2	8175	4	9T58K1806	\$65.00
240 x 480 Volts	120/240 Volts	0.25	8200	4	9T58K1807	\$73.00
240 x 480 Volts	120/240 Volts	0.3	8200	4	9T58K1808	\$76.00
240 x 480 Volts	120/240 Volts	0.375	8250	4	9T58K1809	\$96.00
240 x 480 Volts	120/240 Volts	0.5	10225	4	9T58K1810	\$104.00
240 x 480 Volts	120/240 Volts	0.75	12225	4	9T58K1811	\$128.00
240 x 480 Volts	120/240 Volts	1	12300	4	9T58K1812	\$164.00
240 x 480 Volts	120/240 Volts	1.5	14225	4	9T58K1813	\$215.00
240 x 480 Volts	120/240 Volts	2	14300	4	9T58K1814	\$274.00
240 x 480 Volts	120/240 Volts	3	14475	4	9T58K1815	\$360.00

¹Secondary fusing not available.

²See page 15-6 for wiring diagrams.



Publications and Reference: See Section 17 for a complete list of additional product-related publications

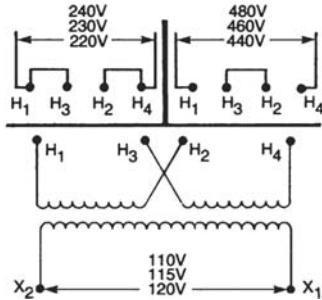


Diagram 1

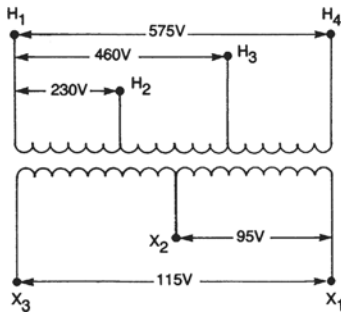


Diagram 2

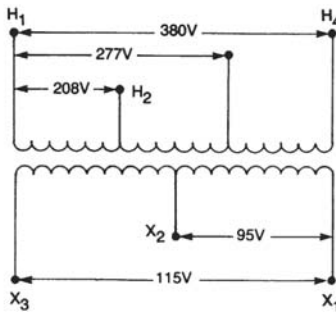


Diagram 3

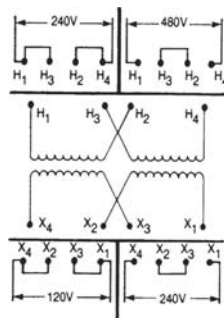


Diagram 4

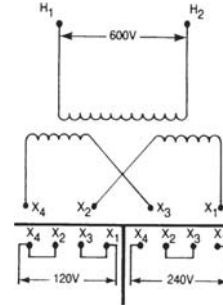


Diagram 5

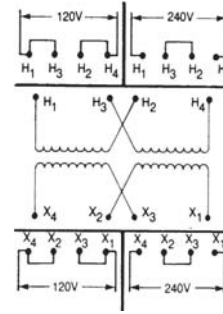


Diagram 6

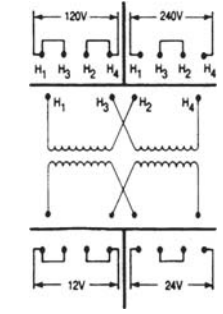


Diagram 7

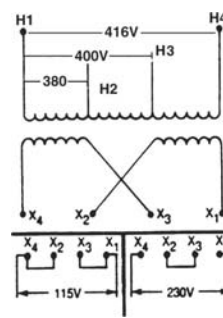


Diagram 8

