



MECHANICAL INTERLOCK FOR CONTACTOR  
MOD.S6/S10/S12 3RT10/3RT12/3RT14

Certificates/ approvals:

General Product Approval



Declaration of Conformity



Shipping Approval



other

[other](#)

[Environmental Confirmations](#)

Further information:

Information- and Downloadcenter (Catalogs, Brochures,...)

<http://www.siemens.com/industrial-controls/catalogs>

Industry Mall (Online ordering system)

<http://www.siemens.com/industrial-controls/mall>

Cax online generator

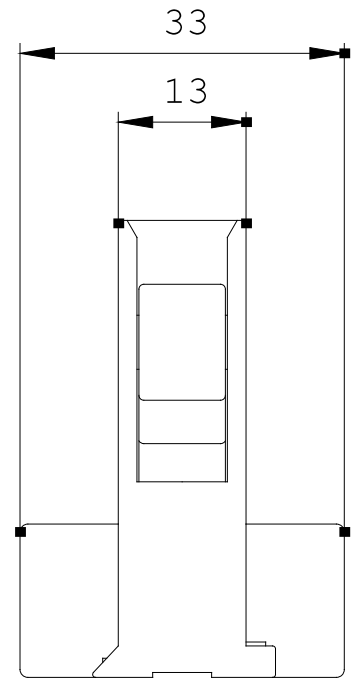
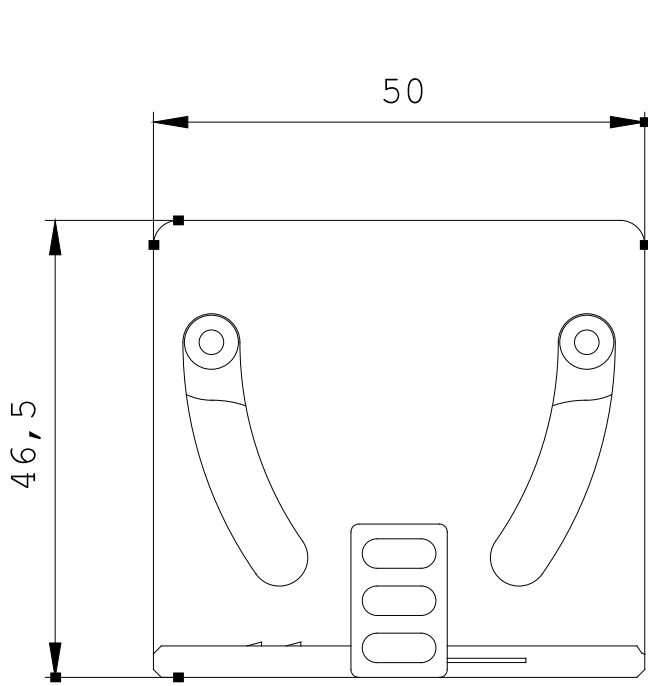
<http://www.siemens.com/cax>

Service&Support (Manuals, Certificates, Characteristics, FAQs,...)

<http://support.automation.siemens.com/WW/view/en/3RA1954-2A/all>

Image database (product images, 2D dimension drawings, 3D models, device circuit diagrams, ...)

[http://www.automation.siemens.com/bilddb/cax\\_en.aspx?mlfb=3RA1954-2A](http://www.automation.siemens.com/bilddb/cax_en.aspx?mlfb=3RA1954-2A)



last change: