



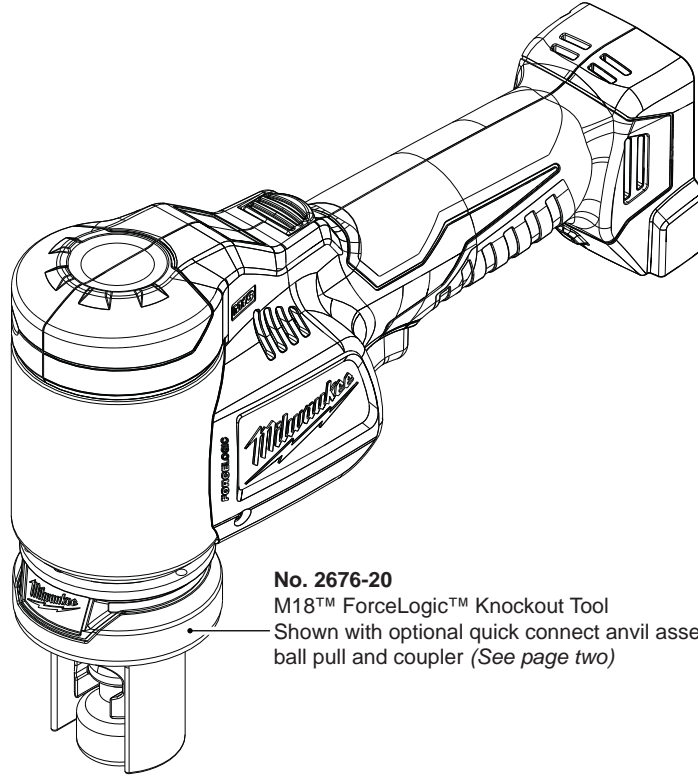
SERVICE PARTS LIST

BULLETIN NO.
54-47-CCKT

SPECIFY CATALOG NO. AND SERIAL NO. WHEN ORDERING PARTS		REVISED BULLETIN	DATE
Cordless M18™ ForceLogic™ Knockout Tool			June 2014
CAT. NO.	2676-20	SERIAL NUMBER	F75A
WIRING INSTRUCTION			

Milwaukee Electric Tool: Force Logic™ Knockout Tool

2676-20 and applicable die sets, ball pull, coupler and quick connect anvil assy.



No. 2676-20
M18™ ForceLogic™ Knockout Tool
Shown with optional quick connect anvil assembly,
ball pull and coupler (See page two)

Due to the combination of hydraulics and electronics in this tool, service can only be performed at this Milwaukee factory Repair Center:

**MILWAUKEE ELECTRIC TOOL Central Repair - East
1003 Sycamore Avenue • Greenwood, MS 38930-7108**

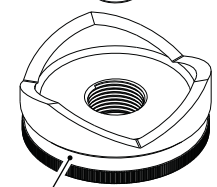
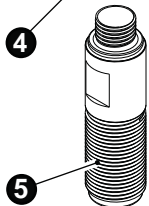
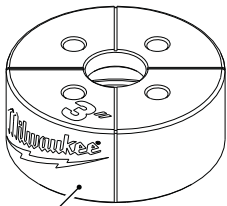
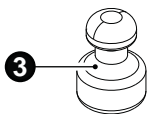
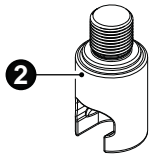
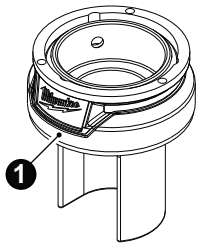
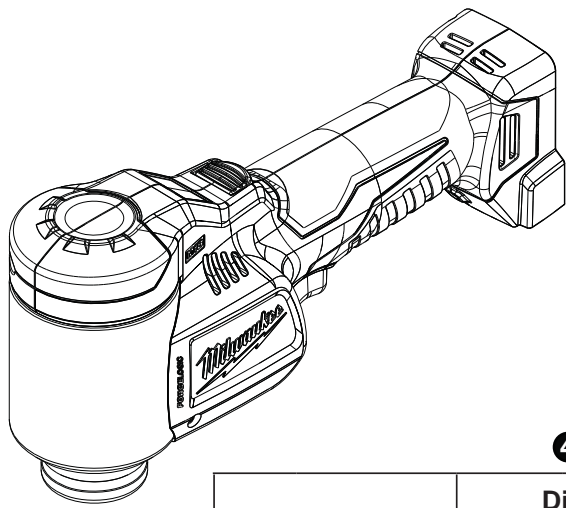
Please send your tool directly to these locations for service.
If you have questions please contact Milwaukee Product Service at:

Product Technical Support via phone at: 262.783.8642

Or

Via email at: METProductSupport @milwaukeetool.com

Disassembly is not recommended and could void the warranty.



Conduit Size	Nominal Hole Size		Dies		Punches		Draw Studs			Capacity	
			Part Number	Description	Part Number	Description	7/16" 1/2" (13 mm) Pilot Hole	3/4" 7/8" (22 mm) Pilot Hole	1-1/8" 1-1/4" (32 mm) Pilot Hole	Stainless Steel	Mild Steel
1/2"	0.885"	(22.5 mm)	49-16-2660S	SS 1/2" die	49-16-2661S	SS 1/2" punch	49-16-2680	--	--	12 ga	10 ga
3/4"	1.115"	(28.3 mm)	49-16-2662	3/4" die	49-16-2663	3/4" punch	--	49-16-2681	--		
1"	1.362"	(34.6 mm)	49-16-2664	1" die	49-16-2665	1" punch	--	49-16-2681	--		
1-1/4"	1.701"	(43.2 mm)	49-16-2666	1-1/4" die	49-16-2667	1-1/4" punch	--	49-16-2681	--		
1-1/2"	1.951"	(49.6 mm)	49-16-2668	1-1/2" die	49-16-2669	1-1/2" punch	--	49-16-2681	--		
2"	2.416"	(61.4 mm)	49-16-2670	2" die	49-16-2671	2" punch	--	49-16-2681	--		
2-1/2"	2.914"	(74.0 mm)	49-16-2672	2-1/2" die	49-16-2673	2-1/2" punch	--	--	49-16-2682		
3"	3.539"	(89.9 mm)	49-16-2674	3" die	49-16-2675	3" punch	--	--	49-16-2682		
3-1/2"	4.044"	(102.7 mm)	49-16-2676	3-1/2" die	49-16-2677	3-1/2" punch	--	--	49-16-2682		
4"	4.544"	(115.4 mm)	49-16-2678	4" die	49-16-2679	4" punch	--	--	49-16-2682		

1 No. 42-86-0050
Quick Connect
Anvil Assembly

2 No. 42-90-0020
Coupler

3 No. 42-90-0010
Ball Pull

No. 42-55-2676
Blow Molded Case (not shown)

No. 12-20-2637
Service Nameplate (not shown)

No. 10-20-1047
Warning Label (not shown)

No. 49-16-2685
Adaptor For Milwaukee power unit to
competitor dies and punches (not shown)

No. 49-16-2684
EXACT™ Adaptor For competitor power units
to EXACT™ 2-1/2" to 4" dies (3/4" studs)
(not shown)