

# CHD Series Fixed-Temperature Heat Detector

Section: Conventional Initiating Devices/CANADA

## GENERAL

A neutral white exterior and an unobtrusive, low-profile housing make the CHD heat detector blend with any ceiling. The plastic housing fits into any standard octagonal or square electric box with a trim plate. The unit will protrude no more than 1" below surface of the finished ceiling.

## FEATURES

- ULC listed.
- Self-restoring.
- Complementary, low-profile white exterior.
- Mounts onto standard octagonal or square box with trim plate.

## SPECIFICATIONS

The thermal detector shall be a NOTIFIER Model CHD-F135 or CHD-F200 as appropriate. The unit shall be a fixed-temperature self-restoring type, designed for low-profile mounting. The detector shall be constructed of neutral white, fire-resistant thermoplastic material. Operation shall consist of the closing of a N.O. contact to initiate an alarm detection circuit. When the air temperature returns below the detector's rating, the contact will return to the normal position.

**Coverage:** 225 square feet.

**Spacing:** 15 feet centers, 7.5 feet from wall.

**NOTE:** The coverage and spacing figures given here are intended as a guide only. Heat detectors must always be spaced and installed as per the specific requirements outlined in the ULC codes, as well as all other applicable national and local code requirements.

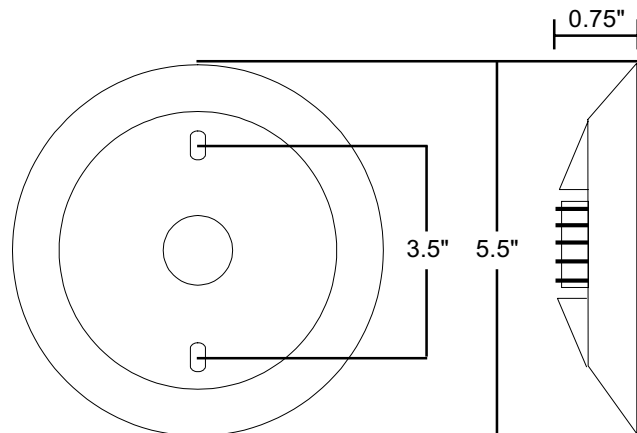
## ORDERING INFORMATION

**CHD-F135** Fixed-temperature self-restoring heat detector, 135°F (57°C). Ideal for applications where the ambient temperature is not expected to exceed 100°F.

**CHD-F200** Fixed-temperature self-restoring heat detector, 200°F (94°C). Ideal for applications where the ambient temperature is expected to exceed 100°F but not beyond 150°F.

## MOUNTING

The detector is designed for semi-flush ceiling mounting to a 4" octagonal electrical box or a 4" square box with a trim plate. The unit will protrude no more than 1" below the surface of the finished ceiling. See diagram at right.



This document is not intended to be used for installation purposes. We try to keep our product information up-to-date and accurate. We cannot cover all specific applications or anticipate all requirements. All specifications are subject to change without notice. For more information, contact NOTIFIER. Phone: (203) 484-7161 FAX: (203) 484-7118

 **NOTIFIER**® 12 Clintonville Road, Northford, Connecticut 06472

**ISO 9001**  
**CERTIFIED**  
ENGINEERING & MANUFACTURING