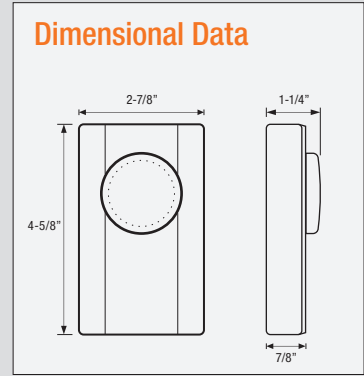


Line Voltage Thermostat K101 & K102



- Clean, beveled style suits any decor
- Sits flush against wall
- Includes °C and °F control dials
- Bi-metal sensing element
- Operates 41° - 90° F (3° - 32°C)
- Mounts directly to a 2x4 inch vertical electrical outlet box
- Fully vented cover allows air sensing in all directions
- Large knob allows easy adjustment to all temperatures
- Single or Double Pole (positive off) available
- No ground wire design

The K101 & K102 Series Thermostats

The K101 & K102 Series thermostats have a larger, more sensitive, bi-metal sensor that improves temperature accuracy to $\pm 3^\circ$ F. This feature achieves a better comfort level with a reduced temperature swing as compared to economy models. Modern appearance with large knob for easy adjustments. No ground wire, making installation fast and easy.

Ordering Information

MODEL	UPC	DESCRIPTION
K101	20576	Single Pole - WHITE
K101-R	20626	Single Pole - WHITE, RETAIL
K101A	20525	Single Pole - ALMOND
K102	20623	Double Pole - WHITE
K102-R	20627	Double Pole - WHITE, RETAIL
K102A	20624	Double Pole - ALMOND

Specifications

Temperature Range: 41° F-90° F (5° C- 32° C)

Accuracy: $\pm 3^\circ$ F (1.6°C)

Max Power: 2640W@ 120VAC (22A)

Max Power: 4576W@208VAC (22A)

Max Power: 5280W@ 240VAC (22A)

Max Power: 4986W@ 277VAC (22A)

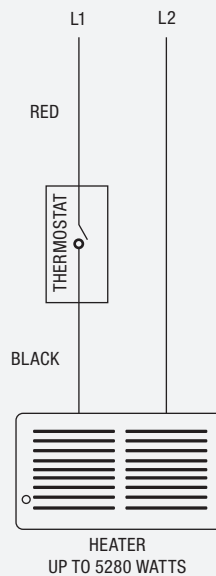
Sensing Element: Bi-metal

Certification:



Installation

Single Pole wiring K101



Double Pole wiring K102

