

# AUTOMOTIVE/MARINE ROCKERS



Fig. 1



Fig. 2

Retail Part No.	Bulk Part No.	Figure No.	Circuit Function		Poles/Throws	AMPS 125VAC	AMPS 250VAC	Amps 12 VDC	HP 125-250 VAC	Lamp Color	Lamp Voltage	Terminal Type	Mounting Hole	Spec. Drawing Page No.
35-3580	35-3580-BU	1	On	Off	SPST	15	10	N/R	1/2			QC .250"	0.830" x 1.450"	I-23 A
35-3585	35-3585-BU	1	On	On	DPDT			20				QC .250"	0.830" x 1.450"	I-23 A
35-3590	35-3590-BU	1	On	Off	DPDT			20				QC .250"	0.830" x 1.450"	I-23 A
35-3500	35-3500-BU	2	On	Off	SPST			20		Amber	12V Incandescent	QC .250"	0.830" x 1.450"	I-23 B
35-3505	35-3505-BU	2	On	Off	SPST			20		Green	12V Incandescent	QC .250"	0.830" x 1.450"	I-23 B
35-3510	35-3510-BU	2	On	Off	SPST			20		Red	12V Incandescent	QC .250"	0.830" x 1.450"	I-23 B
35-3515	35-3515-BU	2	On	Off	SPST			20		Blue	12V Incandescent	QC .250"	0.830" x 1.450"	I-23 B
35-3520	35-3520-BU	2	On	Off	DPDT			20		Amber	12V Incandescent	QC .250"	0.830" x 1.450"	I-23 B
35-3525	35-3525-BU	2	On	Off	DPDT			20		Green	12V Incandescent	QC .250"	0.830" x 1.450"	I-23 B
35-3530	35-3530-BU	2	On	Off	DPDT			20		Red	12V Incandescent	QC .250"	0.830" x 1.450"	I-23 B
35-3535	35-3535-BU	2	On	Off	DPDT			20		Blue	12V Incandescent	QC .250"	0.830" x 1.450"	I-23 B
35-3540	35-3540-BU	2	(On)	Off	SPST			20		Amber	12V Incandescent	QC .250"	0.830" x 1.450"	I-23 B
35-3545	35-3545-BU	2	(On)	Off	SPST			20		Green	12V Incandescent	QC .250"	0.830" x 1.450"	I-23 B
35-3550	35-3550-BU	2	(On)	Off	SPST			20		Red	12V Incandescent	QC .250"	0.830" x 1.450"	I-23 B
35-3555	35-3555-BU	2	(On)	Off	SPST			20		Blue	12V Incandescent	QC .250"	0.830" x 1.450"	I-23 B
35-3560	35-3560-BU	2	(On)	Off	DPDT			20		Amber	12V Incandescent	QC .250"	0.830" x 1.450"	I-23 B
35-3565	35-3565-BU	2	(On)	Off	DPDT			20		Green	12V Incandescent	QC .250"	0.830" x 1.450"	I-23 B
35-3570	35-3570-BU	2	(On)	Off	DPDT			20		Red	12V Incandescent	QC .250"	0.830" x 1.450"	I-23 B
35-3575	35-3575-BU	2	(On)	Off	DPDT			20		Blue	12V Incandescent	QC .250"	0.830" x 1.450"	I-23 B

Notes: For replacement gasket use part number 999-16543-001  
 (On) = Momentary On  
 QC = Quick Connect

All above parts have nylon actuators

# ROUND ROCKERS



Fig. 3



Fig. 4



Fig. 5



Fig. 6



Fig. 7

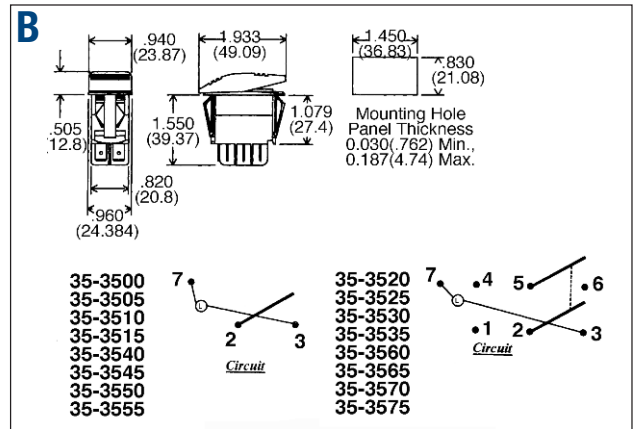
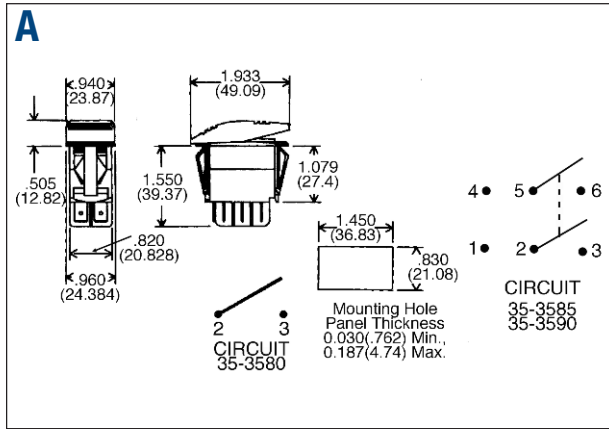
Retail Part No.	Bulk Part No.	Figure No.	Circuit Function		Poles/Throws	AMPS 125VAC	AMPS 250VAC	HP 250 VAC	Actuator Color	Imprinting Color and Marking	Terminal Type	Mounting Hole	Spec. Drawing Page No.
35-1300	35-1300-BU	3	On	Off	SPST	10	6		Red (Lighted)*	White 0- (See Fig.)	QC .187"	0.7952"	I-23 C
35-1301	35-1301-BU	3	On	Off	SPST	10	6		Green (Lighted)*	White 0- (See Fig.)	QC .187"	0.7952"	I-23 C
35-1302	35-1302-BU	4	On	Off	SPST	10	6		Black	White 0- (See Fig.)	QC .187"	0.7952"	I-23 D
35-1303	35-1303-BU	4	(On)	Off	SPST	10	6		Black	White 0- (See Fig.)	QC .187"	0.7952"	I-23 D
35-1304	35-1304-BU	5	On	Off	DPST	10	6		Black	White 0- (See Fig.)	QC .187"	0.7952"	I-23 E
35-1305	35-1305-BU	6	On	Off	SPDT	10	6		Black	White 0- (See Fig.)	QC .187"	0.7952"	I-23 F
35-1307	35-1307-BU	3	On	Off	SPST	10	6		Amber (Lighted)*	White 0- (See Fig.)	QC .187"	0.7952"	I-23 C
35-1311	35-1311-BU	7	On	Off	SPST	10	6		Blk w/Red Indicator*	None	QC .187"	0.7952"	I-23 G

Notes:  
 (On) = Momentary On \* = 125V Lamp  
 QC = Quick Connect

Note: All figures are for illustration purpose only, and the number/type of terminals may vary.

All quantities are single; BU's are packages of 25 Unless otherwise noted.

# AUTOMOTIVE/MARINE ROCKERS (Cont.)



# ROUND ROCKERS (Cont.)

