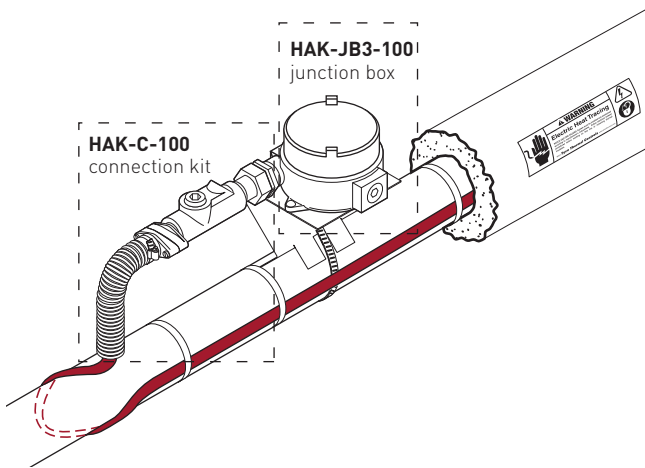


# Raychem HAK-C-100, HAK-JB3-100

## CONNECTION KIT AND JUNCTION BOX FOR

### CID1 HAZARDOUS LOCATIONS



#### PRODUCT OVERVIEW

The HAK-C-100 connection system is FM approved for use with Raychem brand HBTV, HQTV, HXTV, and FHP heating cables in Class I, Division 1 hazardous locations. It is also CSA certified for use with Raychem- brand BTV-CT, QTVR-CT, XTV-CT, VPL-CT, and LBTV2-CT heating cables in Class I, Division 1 locations.

The HAK-C-100 is a cold-applied connection kit that contains all of the materials required for sealing one heating cable entry into a junction box.

The HAK-JB3-100 is an explosion-proof, corrosion-resistant junction box that serves as a power connection, splice, tee, or end termination.

Each kit contains all the necessary materials for a complete installation except for the pipe straps and a UMB mounting bracket, which must be ordered separately.

#### KIT DESCRIPTION

	HAK-C-100	HAK-JB3-100
<b>Note:</b> Connection kit, junction box, mounting bracket, and pipe strap sold separately	<ul style="list-style-type: none"> <li>1 HAK subassembly: sealing fitting, nipple, and plugs</li> <li>1 union</li> <li>1 packing fiber</li> <li>1 sealing compound</li> <li>1 tubing clamp</li> <li>1 compression gland with screws</li> <li>1 compression gland with threaded inserts</li> <li>5 grommets (B,C,E,K,R)</li> <li>1 flex tube</li> <li>1 terminal block (maximum: 6 AWG wire)</li> <li>2 black heat-shrinkable tubes</li> <li>1 clear yellow heat-shrinkable tube</li> <li>1 green/yellow tube</li> <li>1 CS-100 core sealer</li> </ul>	<ul style="list-style-type: none"> <li>1 coated aluminum housing</li> <li>3 3/4-in (19 mm) NPT entries</li> <li>2 plugs</li> <li>1 grounding bar kit</li> </ul>

#### APPROVALS

##### Hazardous Locations



Class I, Div. 1, Groups B, C, D  
Class II, Div. 1, Groups E, F, G  
Class III

##### Hazardous Locations

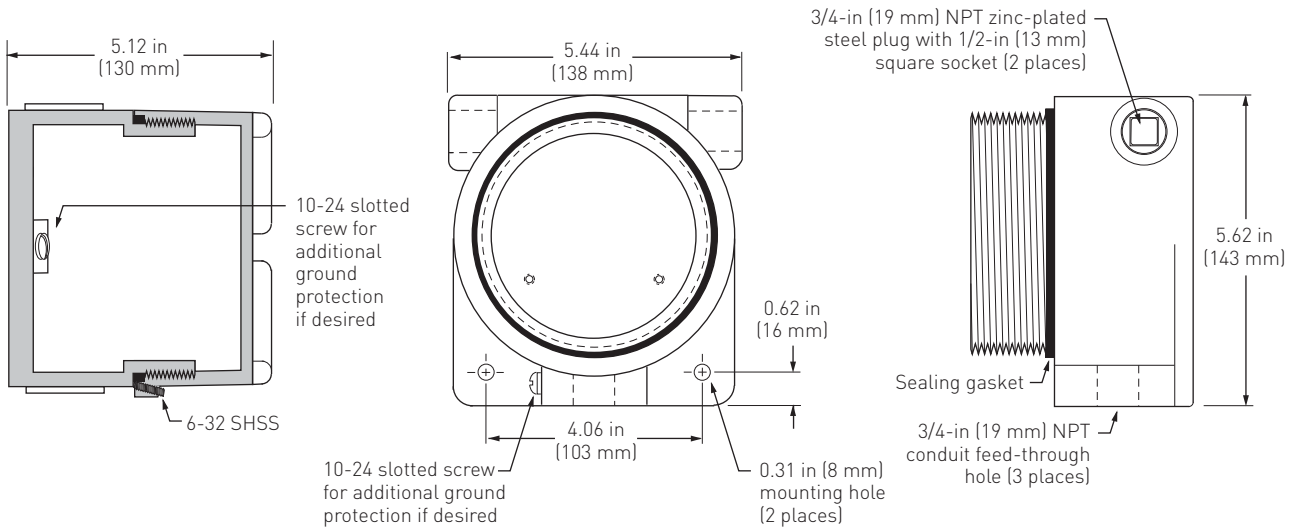


Class I, Div. 1, Groups B, C, D  
Class II, Div. 1, Groups E, F, G  
Class III

**ORDERING DETAILS**

Catalog number	HAK-C-100	HAK-JB3-100
Part number	014385-000	325925-000
Weight	3.0 lb (1.36 kg)	3.1 lb (1.4 kg)

**HAK-JB3-100 JUNCTION BOX DIMENSIONS**



**MATERIALS REQUIRED PER CONNECTION TYPE**

	Number of HAK-C-100 kits required	Number of holes used on the junction box	Universal mounting bracket (UMB)	Pipe strap
Power	1	2	1	1
Splice	2	2	1	1
Tee	3	3	1	1
End seal	1	1	1	1

**MATERIALS OF CONSTRUCTION**

Junction box: Copper-free aluminum with corrosion-resistant polyester powder coating



[WWW.PENTAIRTHERMAL.COM](http://WWW.PENTAIRTHERMAL.COM)

**NORTH AMERICA**

Tel: +1.800.545.6258  
Fax: +1.800.527.5703  
Tel: +1.650.216.1526  
Fax: +1.650.474.7711  
[thermal.info@pentair.com](mailto:thermal.info@pentair.com)

**EUROPE, MIDDLE EAST, AFRICA**

Tel: +32.16.213.511  
Fax: +32.16.213.603  
[thermal.info@pentair.com](mailto:thermal.info@pentair.com)

**ASIA PACIFIC**

Tel: +86.21.2412.1688  
Fax: +86.21.5426.2917  
[cn.thermal.info@pentair.com](mailto:cn.thermal.info@pentair.com)

**LATIN AMERICA**

Tel: +1.713.868.4800  
Fax: +1.713.868.2333  
[thermal.info@pentair.com](mailto:thermal.info@pentair.com)

Pentair, HAK, HBTV, HQTV, HXTV, BTV, QTVR, XTV, VPL, and LBTV2 are owned by Pentair or its global affiliates. All other trademarks are the property of their respective owners. Pentair reserves the right to change specifications without prior notice.

© 2001–2013 Pentair.