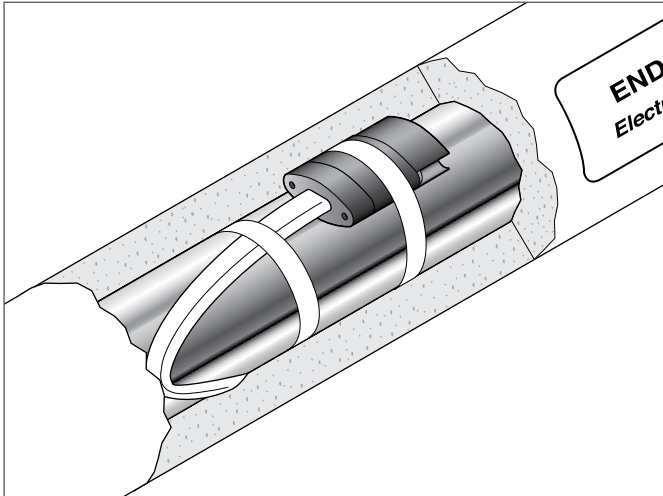


Raychem PMKG-LE

LOW-PROFILE END SEAL KIT INSTALLATION INSTRUCTIONS



APPROVALS

Hazardous Locations



BTV-CR, BTV-CT, QTVR-CT and LBTV2-CT heating cables only
 Class I, Div. 2, Groups A, B, C, D
 Class II, Div. 2, Groups F, G
 Class III

Nonhazardous Locations



KHP-CR heating cables only

KIT CONTENTS

Item	Qty	Description
A	1	Pressure plate
B	1	End seal body with stainless steel screws
C	1	Red grommet (not for use with LBTV2)
D	1	End seal label

DESCRIPTION

The PMKG-LE is a NEMA Type 4X rated end seal kit designed for use with Raychem BTV-CR, BTV-CT, QTVR-CT, LBTV2-CT, and KHP-CR parallel heating cables. It is designed to be placed on the pipe under the insulation and cladding.

For additional information contact your Pentair Thermal Management representative or call (800) 545-6258.

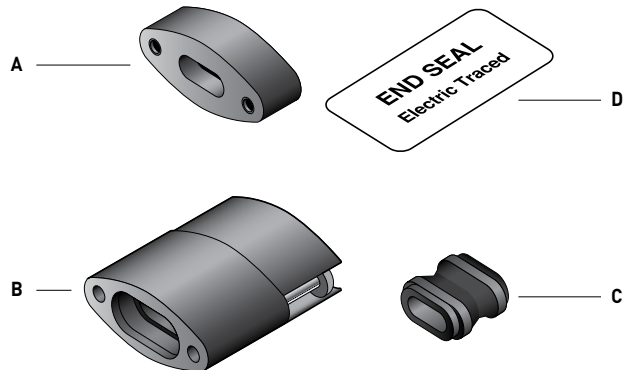
TOOLS REQUIRED

- Screwdriver
- Wire cutters
- Utility knife

ADDITIONAL MATERIALS REQUIRED

- One grommet: ⁽¹⁾
 PMK-GK-10 P/N 222724-000 (Package of ten grommets)
- Glass cloth tape
 - GT-66 Installation temperature above 40°F (4°C)
 - GS-54 Installation temperature above -40°F (-40°C)

⁽¹⁾ Required for LBTV2 (see step 1)



WARNING:

This component is an electrical device that must be installed correctly to ensure proper operation and to prevent shock or fire. Read these important warnings and carefully follow all of the installation instructions.

- To minimize the danger of fire from sustained electrical arcing if the heating cable is damaged or improperly installed, and to comply with the requirements of Pentair Thermal Management, agency certifications, and National Electrical Codes, ground-fault equipment protection must be used. Arcing may not be stopped by conventional circuit breakers.

- Component approvals and performance are based on the use of Pentair Thermal Management-specified parts only. Do not use substitute parts or vinyl electrical tape.
- The black heating cable core is conductive and can short. It must be properly insulated and kept dry.
- Damaged bus wires can overheat or short. Do not break bus wire strands when scoring the jacket or core.
- Keep components and heating cable ends dry before and during installation.
- Bus wires will short if they contact each other. Keep bus wires separated.
- Use only fire-resistant insulation materials, such as fiberglass wrap or flame-retardant foam.

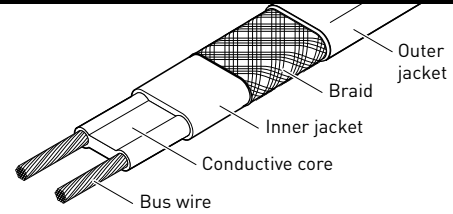
Identify Heating Cable Type

- Identify heating cable type.
- Select correct grommet from table below.

Heating Cable	Type	Grommet
BTV, QTVR	-CR or -CT	RED
LBTV2	-CT	K *
KHP	-CR	RED

* Order separately

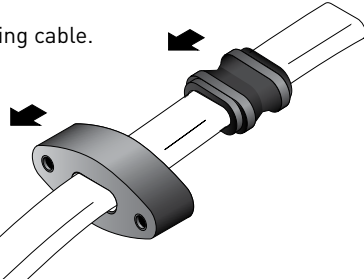
WARNING: Use of the wrong grommet can result in leaks, cracked components, shock or dielectric failure, and will invalidate approvals and certifications



BTV-CR, BTV-CT, QTVR-CT, LBTV2-CT, KHP-CR

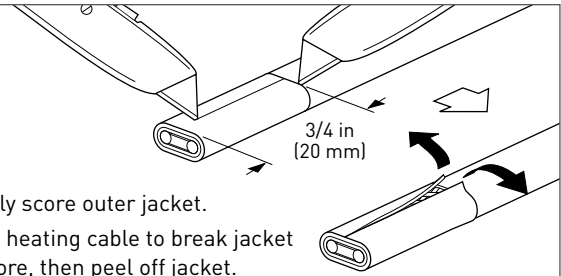
1

- Slide parts onto heating cable.



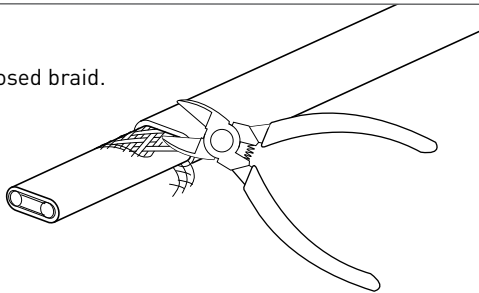
2

- Lightly score outer jacket.
- Bend heating cable to break jacket at score, then peel off jacket.



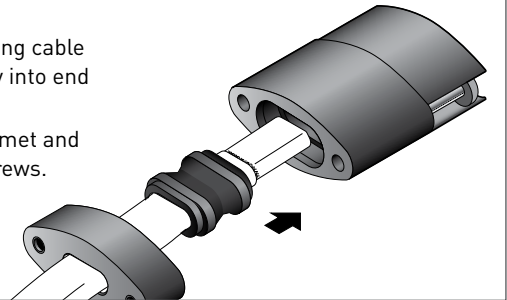
3

- Remove exposed braid.



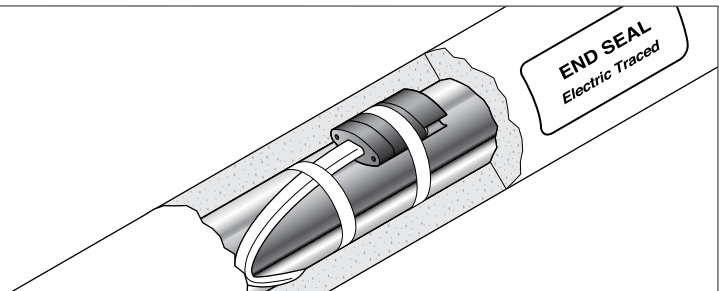
4

- Push heating cable completely into end seal body.
- Seat grommet and tighten screws.



5

- Secure end seal to pipe using correct tape (GT-66 or GS-54).
- Apply insulation and cladding.
- Install label on outside of cladding.
- Leave these instructions with the end user for future reference.



WWW.THERMAL.PENTAIR.COM

NORTH AMERICA

Tel: +1.800.545.6258
 Fax: +1.800.527.5703
 Tel: +1.650.216.1526
 Fax: +1.650.474.7711
 thermal.info@pentair.com

EUROPE, MIDDLE EAST, AFRICA

Tel: +32.16.213.511
 Fax: +32.16.213.603
 thermal.info@pentair.com

ASIA PACIFIC

Tel: +86.21.2412.1688
 Fax: +86.21.5426.2917
 cn.thermal.info@pentair.com

LATIN AMERICA

Tel: +55.11.2588.1400
 Fax: +55.11.2588.1410
 thermal.info@pentair.com

Pentair, BTV, QTVR, LBTV2 and KHP are owned by Pentair or its global affiliates. All other trademarks are the property of their respective owners. Pentair reserves the right to change specifications without prior notice.