

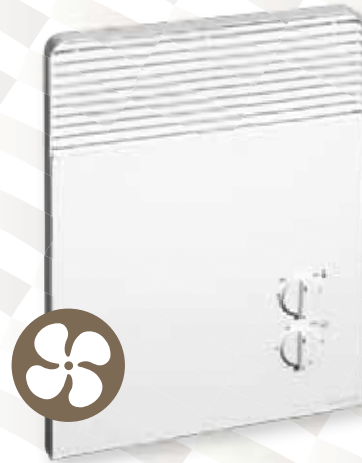
# FAN HEATER

FOR BATHROOMS - SIL2030 SERIES

## FOR THOSE WHO LIKE IT HOT!

The SIL2030 has everything going for it! From the design of its components and its fast temperature rise, to its elegant and streamlined look. The SIL2030 has a power of 1000 W, increasing to 2000 W when used in timer mode. This bathroom fan heater can be recessed or surface mounted. It boasts fine lines with rounded corners, yet it's extremely rugged. Out with the cold, in with the heat!

*Silhouette™*



### BIG POWER IN A COMPACT UNIT

### FAST TEMPERATURE RISE

### BUILT-IN THERMOSTAT WITH FORCED-AIR OUTPUT OF 1000 W

### 30-MINUTE TIMER

### IDEAL FOR:

BATHROOM

### COLOURS

- standard: white
- luxurious finish: stainless steel (see price list)
- optional: silica white, almond, black, textured charcoal, silver, clear anodized (paint), nickel, champagne, light bronze, dark brown (10% surcharge)

### FINISH

epoxy-polyester powdercoat or stainless steel

### MANUFACTURING

- 20-gauge steel cabinet and front
- centrifugal fan ensures a quiet and efficient airflow
- thermal protection with automatic reset
- bottom air intake and front air discharge
- safe rounded corners

### ELEMENT

nichrome element produces instant heat

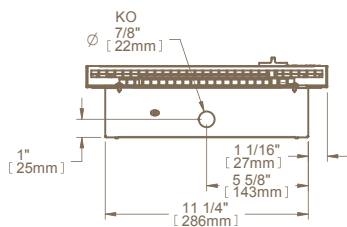
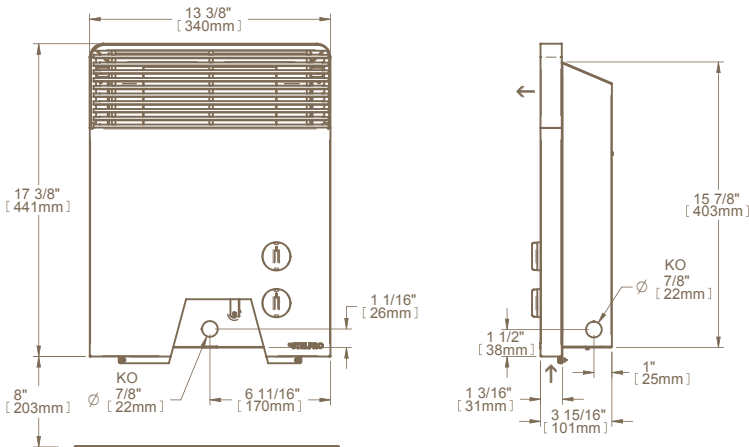
### CONTROL

- built-in thermostat ensuring a regular 1000 W forced-air heating (included)
- 30-minute built-in timer for rapid 2000 W forced-air heating (included)

### INSTALLATION

- surface mounted or recessed
- wall mounted at least 8 in. from the floor

## TECHNICAL DRAWINGS



PART OF THE SILHOUETTE™  
FAMILY OF PRODUCTS





## TECHNICAL SPECIFICATIONS

PRODUCT		THERMOSTAT HEATING	TIMER HEATING	VOLTAGE		HEIGHT		WIDTH		WEIGHT		PRICE	
CODE	WATTS	WATTS	VOLTS	MM	IN.	MM	IN.	KG	LB	W	SS		
SIL2030	1000/750	2000/1500	240/208	441	17 3/8	340	13 3/8	4.9	12.1	388.00	539.00		

Add W for white or SS for stainless steel (or consult the optional colour chart and contact your °STELPRO representative for all other colours)

### THROW DISTANCE AND HEAT RISE

UNITS			HEAT RISE		
KW	M	FT.	°C	°F	
1	1.2	4	48	87	
2	1.2	4	105	188	