

Stelpro baseboard heater

Designed for safety, comfort and performance, the Stelpro baseboard heater has brought a new dimension to the electrical heating world as we know it. By virtue of its unique design, safety is no longer compromised with this state-of-the-art heater.

Sharp edges have been eliminated and replaced by soft, aesthetically rounded, durable steel end caps.

Our standard white and almond colors, with their baked enamel finish, blend in harmoniously with any decor.



{features}

color	white (W) or almond (A)
finish	top quality 100% polyester paint, baked enamel, glossy finish
manufacturing	<ul style="list-style-type: none"> · 22-gauge steel casing able to support 22 kg in its center · 16-gauge steel connection boxes at each end · full-length thermal protection with automatic reset · diffuser located above the element in order to ensure good air diffusion · full-length wireway · steel end caps with soft, rounded corners
wattage & voltage	see the selection table
element	<ul style="list-style-type: none"> · single tubular, stainless steel sheathed element with boxed aluminum fins for improved heat dissipation · securely fastened at its center, floating in nylon sleeves at each end, eliminating expansion and contraction noises
control	<ul style="list-style-type: none"> · built-in thermostat may be installed at either end (not included) · wall thermostat (not included) · built-in relay may be installed in left end only - optional (not included)
installation	<ul style="list-style-type: none"> · surface mount · BX & NMD cable clamps (included) · mounting holes spaced at 1-inch intervals along the top and the bottom of the unit · knockouts conveniently located at the back of the heater, and at each end
warranty	· lifetime (element), 1 year (unit)

{accessories}

code	description
N1T1*	built-in single pole thermostat (120, 208, 240, 277 or 347 V units)
N2T1*	built-in double pole thermostat (120, 208, 240 or 277 V units)
N2T1TP*	built-in tamper-proof double pole thermostat (120, 208, 240, 277 or 347 V units)
N2T16*	built-in double pole thermostat (600 V units)
NRE153*	built-in electronic low voltage relay [15 A @ 120, 208, 277 or 347 V]
NRE156*	built-in electronic low voltage relay [6 A @ 600 V]
NRE153T*	built-in electronic low voltage relay c/w transformer 24 V [15 A @ 208, 277 or 347 V]
NR841C1151*	built-in mechanical low voltage relay c/w transformer 24 V [6000 W @ 600 V]
NO*	duplex outlet section [15 A @ 120 V]
NS*	switch section [15 A @ 240 V]
NOS*	switch on/on & single outlet section [15 A @ 240 V]
NC*	corner section (3 x 3 in.)
NP*	spray paint white or almond

* add W for white or A for almond

* factory installed

electronic relays can receive a pulsed or on/off signal



Clamp for BX cable from wall

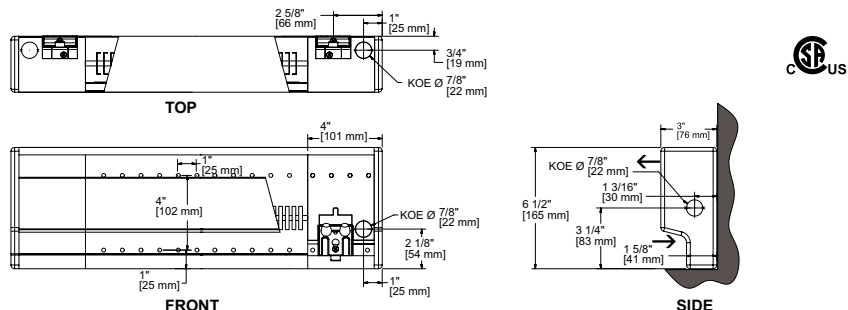


Clamp for BX cable from floor



Clamp for NMD cable

{technical drawing}



low density
 on 208 V or 240 V circuits (see the selection table)



pages 90 to 96
 wall thermostats & accessories