

Extract of AC1000,
Product Selector

Cable Management Systems

Wire duct

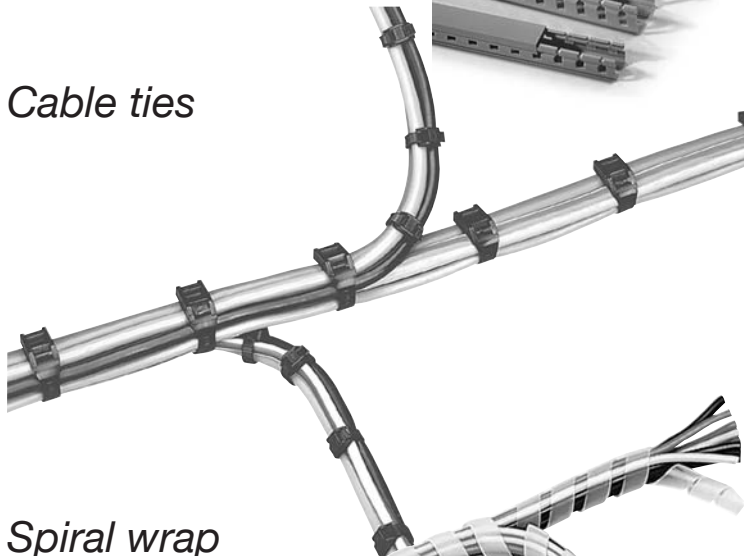
Cable ties & spiral wrap

AC 1051

Wire duct



Cable ties



Spiral wrap





Cable Management Systems

Wire duct

Cable ties & spiral wrap

This publication is an
extract of the AC 1000
Product Selector

General information

- Wire duct, cable ties & spiral wrap 13.1 – 13.2

Wiring duct

- Description 13.3
- Gray, 8 – 12 mm slot, 4 – 6 mm slot 13.4
- White, 8 – 12 mm slot, 4 – 6 mm slot 13.5
- Specialty products
 - Wiring duct with knockouts 13.6
 - Flexible wiring duct 13.6
 - Spiral wrap 13.6
- Tools and accessories
 - Accessories 13.7
 - Wiring duct covers 13.7
 - Wiring duct cutter – Industrial grade 13.8
 - Wiring duct cutter – Production grade 13.9
- Technical data 13.10 – 13.13
- Approximate dimensions 13.14

13

Cable ties

- Features and applications 13.15
- White & black 13.16
- Accessories 13.17
- Approximate dimensions & technical data 13.18 – 13.20

Terms & conditions

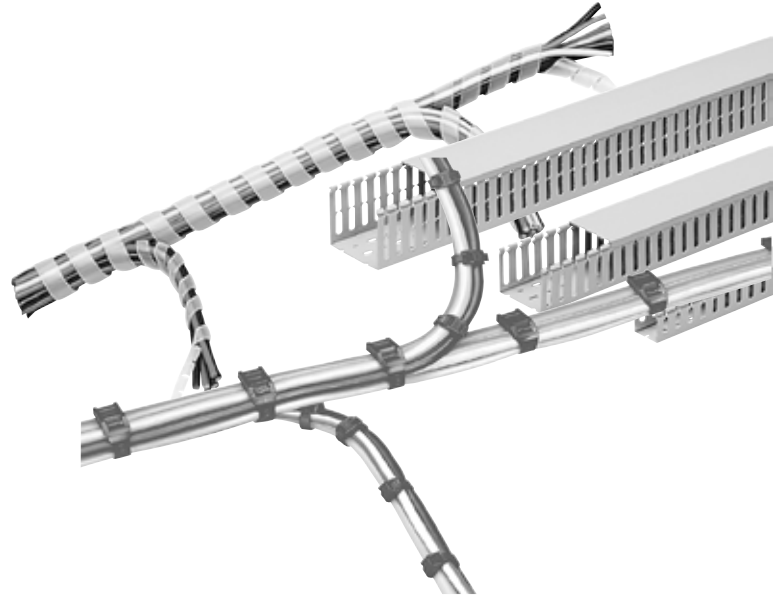
ABB Inc. terms and conditions govern all sales and shipments of products (including parts and accessories) as set forth in document AC 5020. ABB Inc. terms and conditions are subject to change with or without notice.

Cable management systems



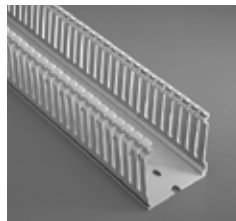
Cable management systems

- Wire duct
- Cable ties
- Spiral wrap

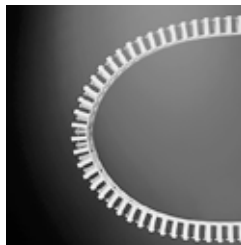


General information

Those requiring considerable space for cables will find their needs met by ABB cable management systems, now also available in the 100 mm height and in a choice of six different base sizes (25, 40, 60, 80, 100 and 150 mm). New wiring ducts join the established designs (with heights between 17 and 80 mm), bringing to 28 the total size combinations offered, all available with 8 – 12 mm and 4 – 6 mm slots.



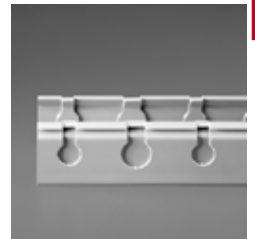
Less complicated work brings installers and panel builders faster solutions thanks to the new top profile of the ribs.



The new flexible thermoplastic wiring ducts solve every electrical switchboard and distribution switchboard wiring problem.

The best solution for hinged panels and doors are our new flexible thermoplastic cable management systems (available in seven sizes), which are ideal for every situation in which wiring is subject to flexion or torsion.

A new design of cable management systems with circular knockouts in the sides to facilitate branch connections using rigid and corrugated conduits has also been introduced for environments in which cables require greater protection against external agents (elevator rooms are a typical example).



New wiring ducts with circular knockouts in the sides are available for any specific kind of branch connections.

The updated range is completed by installation accessories and tools: plastic rivets, wire stops, label tags, new wiring ducts bases, a new rivet gun and shears.

The top profile of the ribs of these wiring ducts has been redesigned to make it easier to open and close the cover and to ensure even more secure engagement.



All in one movement: thanks to the controlled splaying of the sides, gentle pressure is all it takes to fix the cover on the duct, forming a perfect seal in all conditions, even in environments that reach high temperatures.

To release it, simply press the ribs inwards with one hand.

continued next page

General information

Wire duct, cable ties, spiral wrap

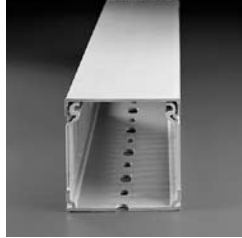
The cover can't slide in vertical sections, nor is the bottom rib affected by the weight of the cables in horizontal sections.

The exceptional care with which ABB wiring ducts are manufactured also ensures a clean internal finish. Because there aren't any plastic burrs you can work hour after hour without your hands suffering the consequences.

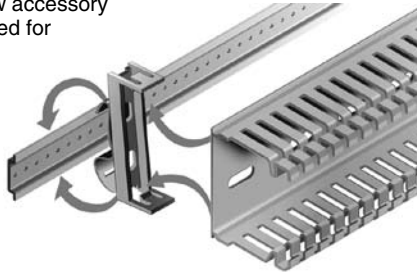
The dimensions and resilience of the ribs on ABB cable management systems ensure they can be moved apart many times during the wiring phase. But when you need to remove the rib to create openings for letting cables in or out, the special knockouts allow you to make an instant clean break. The base of the wall also features knockouts that make it possible to cut the edge when you want to make level branch connections.

The 80 and 100 mm high versions feature cable holder moldings in the middle of the straight sections of the ribs.

The new ABB cable management systems are in a class of their own when it comes to ease of installation. In fact they have been made for snap-on installation to a new accessory that's been specially designed for fast fitting both to DIN rails and base plates. The new bottom profile of the wiring ducts has been changed and no longer needs drilling or rivets. Thanks to this new accessory, mounting and removal both take no more than a click.



All the space cables need with the new wiring ducts available in the 100 mm height and six different base sizes.



How do you connect the switchgears installed on switchboard doors? Our new flexible cable management systems can be bent or twisted without breaking and allow you to solve all manner of connection

problems where hinged moving parts are concerned. They are quick and easy to use: the offset position of the ribs and the way they are angled slightly downwards makes it easier to insert and extract the cables.

These new ducts save time and energy compared to traditional coiled designs. When you need to add new cables, change and inspect them or carry out maintenance, the operations required are simple and take next to no time at all. Simply pull out the cables or feed in new ones without having to unwind or rewind the coils. The flexible wiring ducts are supplied as standard with ready-fitted double-sided adhesive tape offering high adhesion on steel. And you can, of course, naturally fit them using screws and rivets as well. They engage in special slots on the bottom that are orientated in two axes to enable the position of the ducts to be adjusted.

In those cases in which it's advantageous to protect cables from dust (IP 40) while retaining maximum installation flexibility, we designed these new cable management systems with circular knockouts in the sides for branch connections with rigid or corrugated conduits (with or without tube clamps) or directly with cables. The neck of the hole also forms part of the knockout, making it easier to install the cables and branch connections in any work phase and conditions.

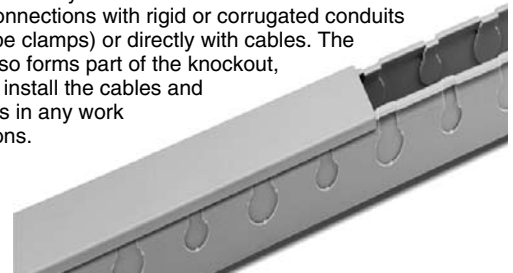
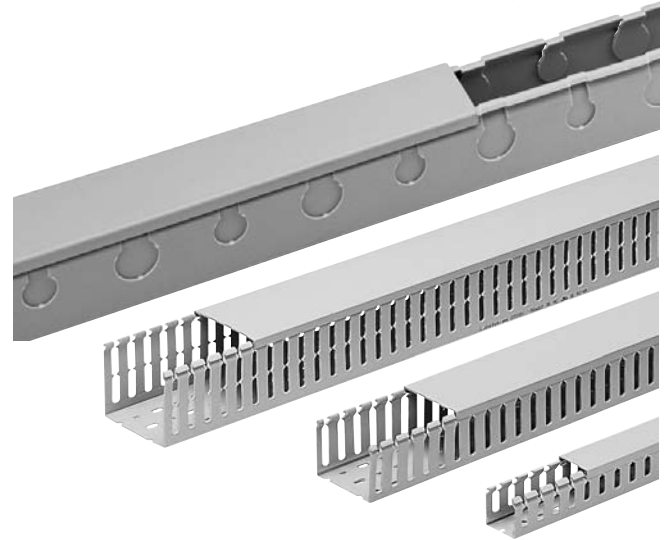


ABB Wiring duct



Description

ABB wiring ducts are now also available in the 100 mm height and in a choice of six different base sizes (25, 40, 60, 80, 100 and 150 mm). These new wiring ducts join the established designs (with heights between 17 and 80 mm), bringing to 28 the total size combinations offered, all available with 8 – 12 mm and 4 – 6 mm slots.

Flexible thermoplastic wiring ducts (available in seven sizes) are ideal for every situation in which wiring is subject to flexion or torsion.

A new design of wiring ducts with circular knockouts in the sides to facilitate branch

connections using rigid and corrugated conduits has also been introduced for environments in which cables require greater protection against external agents (elevator rooms are a typical example).

The updated range is completed by installation accessories and tools: plastic rivets, wire stops, label tags, new wiring ducts bases, a new rivet gun and shears.

The 80 and 100 mm high versions feature cable holder moldings in the middle of the straight sections of the ribs.

Wiring duct, gray

Standard; 8 – 12 mm slot,
High density; 4 – 6 mm slot

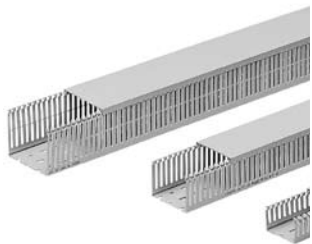


05019

Standard; 8 – 12 mm slot, gray

Dimensions W x H (mm)	Dimensions W x H (in)	Meters per package	Feet per package	Pieces per package ^①	Catalog number ^{①②}	List price per package	List price per 2M piece	List price per foot
15 x 17	1/2 x 5/8	46	151	23	05019	\$ 345.00	\$ 15.00	\$ 2.29
25 x 30	1 x 1 1/4	58	190.5	29	05033	565.50	19.50	2.97
40 x 30	1 1/2 x 1 3/4	40	131.5	20	05035	500.00	25.00	3.81
60 x 30	2 1/4 x 1 1/4	52	171	26	05037	734.50	28.25	4.31
25 x 40	1 x 1 1/2	48	157.5	24	05043	570.00	23.75	3.62
40 x 40	1 1/2 x 1 1/2	30	98.5	15	05045	397.50	26.50	4.04
60 x 40	2 1/4 x 1 1/2	40	131	20	05047	590.00	29.50	4.50
80 x 40	3 x 1 1/2	32	105	16	05049	604.00	37.75	5.75
100 x 40	4 x 1 1/2	24	79	12	05051	474.00	39.50	6.02
120 x 40	4 3/4 x 1 1/2	20	66	10	05053	432.50	43.25	6.59
25 x 60	1 x 2 1/4	34	111.5	17	05063	442.00	26.00	3.96
40 x 60	1 1/2 x 2 1/4	22	72	11	05065	319.00	29.00	4.42
60 x 60	2 1/4 x 2 1/4	32	105	16	05067	488.00	30.50	4.65
80 x 60	3 x 2 1/4	24	79	12	05069	468.00	39.00	5.94
100 x 60	4 x 2 1/4	20	66	10	05071	430.00	43.00	6.55
120 x 60	4 3/4 x 2 1/4	14	46	7	05073	343.00	49.00	7.47
25 x 80	1 x 3	28	92	14	05083	451.50	32.25	4.91
40 x 80	1 1/2 x 3	36	118	18	05085	634.50	35.25	5.37
60 x 80	2 1/4 x 3	24	79	12	05087	456.00	38.00	5.79
80 x 80	3 x 3	16	52	8	05089	364.00	45.50	6.93
100 x 80	4 x 3	16	52	8	05091	394.00	49.25	7.51
120 x 80	4 3/4 x 3	12	39	6	05093	336.00	56.00	8.53
25 x 100	1 x 4	20	65.5	10	05094	377.50	37.75	5.75
40 x 100	1 1/2 x 4	28	92	14	05095	567.00	40.50	6.17
60 x 100	2 1/4 x 4	20	66	10	05096	432.50	43.25	6.59
80 x 100	3 x 4	14	46	7	05097	371.00	53.00	8.08
100x 100	4 x 4	8	26	4	05098	236.00	59.00	8.99
150 x 100	6 x 4	8	26	4	05099	372.00	93.00	14.17

NOTE: Sold in package quantity only. Order quantity must equal quantity shown in "pieces per package" column.
Example: For 05019, 23 pieces must be ordered to get package quantity.



05119

High density; 4 – 6 mm slot, gray

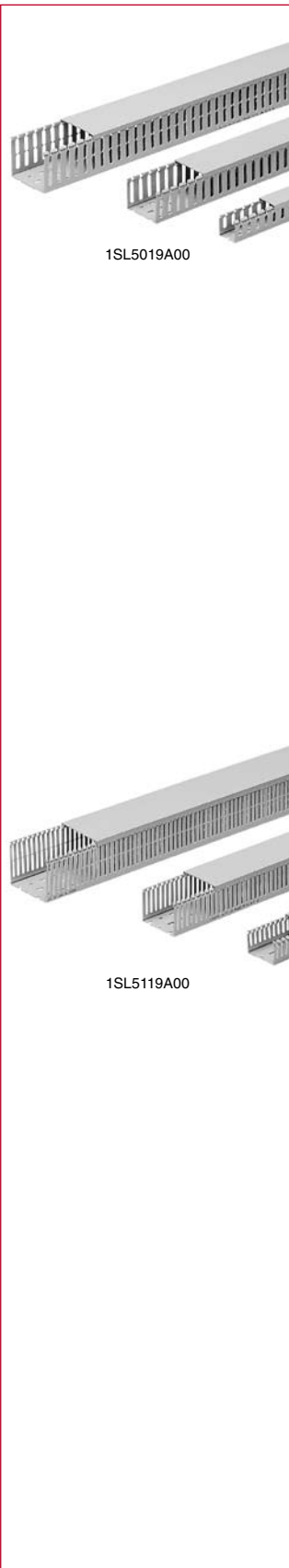
Dimensions W x H (mm)	Dimensions W x H (in)	Meters per package	Feet per package	Pieces per package ^①	Catalog number ^{①②}	List price per package	List price per 2M piece	List price per foot
15 x 17	1/2 x 5/8	46	151	23	05119	\$ 345.00	\$ 15.00	\$ 2.29
25 x 30	1 x 1 1/4	58	190.5	29	05133	565.50	19.50	2.97
40 x 30	1 1/2 x 1 3/4	40	131.5	20	05135	500.00	25.00	3.81
60 x 30	2 1/4 x 1 1/4	52	171	26	05137	734.50	28.25	4.31
25 x 40	1 x 1 1/2	48	157.5	24	05143	570.00	23.75	3.62
40 x 40	1 1/2 x 1 1/2	30	98.5	15	05145	397.50	26.50	4.04
60 x 40	2 1/4 x 1 1/2	40	131	20	05147	590.00	29.50	4.50
80 x 40	3 x 1 1/2	32	105	16	05149	604.00	37.75	5.75
100 x 40	4 x 1 1/2	24	79	12	05151	474.00	39.50	6.02
120 x 40	4 3/4 x 1 1/2	20	66	10	05153	432.50	43.25	6.59
25 x 60	1 x 2 1/4	34	111.5	17	05163	442.00	26.00	3.96
40 x 60	1 1/2 x 2 1/4	22	72	11	05165	319.00	29.00	4.42
60 x 60	2 1/4 x 2 1/4	32	105	16	05167	488.00	30.50	4.65
80 x 60	3 x 2 1/4	24	79	12	05169	468.00	39.00	5.94
100 x 60	4 x 2 1/4	20	66	10	05171	430.00	43.00	6.55
120 x 60	4 3/4 x 2 1/4	14	46	7	05173	343.00	49.00	7.47
25 x 80	1 x 3	28	92	14	05183	451.50	32.25	4.91
40 x 80	1 1/2 x 3	36	118	18	05185	634.50	35.25	5.37
60 x 80	2 1/4 x 3	24	79	12	05187	456.00	38.00	5.79
80 x 80	3 x 3	16	52	8	05189	364.00	45.50	6.93
100 x 80	4 x 3	16	52	8	05191	394.00	49.25	7.51
120 x 80	4 3/4 x 3	12	39	6	05193	336.00	56.00	8.53
25 x 100	1 x 4	20	65.5	10	05194	377.50	37.75	5.75
40 x 100	1 1/2 x 4	28	92	14	05195	567.00	40.50	6.17
60 x 100	2 1/4 x 4	20	66	10	05196	432.50	43.25	6.59
80 x 100	3 x 4	14	46	7	05197	371.00	53.00	8.08
100x 100	4 x 4	8	26	4	05198	236.00	59.00	8.99
150 x 100	6 x 4	8	26	4	05199	372.00	93.00	14.17

NOTE: Sold in package quantity only. Order quantity must equal quantity shown in "pieces per package" column.
Example: For 05119, 23 pieces must be ordered to get package quantity.

① Sold in package quantity only. Order quantity must equal quantity shown in "pieces per package" column.
② Wire duct cover included.

Wiring duct, white

Standard; 8 – 12mm slot
High density; 4 – 6mm slot



Standard; 8 – 12 mm slot

Dimensions W x H (mm)	Dimensions W x H (in)	Meters per package	Feet per package	Pieces per package ^①	Catalog number ^{①②}	List price per package	List price per 2M piece	List price per foot
15 x 17	1/2 x 5/8	46	151	23	1SL5019A00	\$ 345.00	\$ 15.00	\$ 2.29
25 x 30	1 x 11/4	58	190.5	29	1SL5033A00	565.50	19.50	2.97
40 x 30	1 1/2 x 1 3/4	40	131.5	20	1SL5035A00	500.00	25.00	3.81
60 x 30	2 1/4 x 1 1/4	52	171	26	1SL5037A00	734.50	28.25	4.31
25 x 40	1 x 1 1/2	48	157.5	24	1SL5043A00	570.00	23.75	3.62
40 x 40	1 1/2 x 1 1/2	30	98.5	15	1SL5045A00	397.50	26.50	4.04
60 x 40	2 1/4 x 1 1/2	40	131	20	1SL5047A00	590.00	29.50	4.50
80 x 40	3 x 1 1/2	32	105	16	1SL5049A00	604.00	37.75	5.75
100 x 40	4 x 1 1/2	24	79	12	1SL5051A00	474.00	39.50	6.02
120 x 40	4 3/4 x 1 1/2	20	66	10	1SL5053A00	432.50	43.25	6.59
25 x 60	1 x 2 1/4	34	111.5	17	1SL5063A00	442.00	26.00	3.96
40 x 60	1 1/2 x 2 1/4	22	72	11	1SL5065A00	319.00	29.00	4.42
60 x 60	2 1/4 x 2 1/4	32	105	16	1SL5067A00	488.00	30.50	4.65
80 x 60	3 x 2 1/4	24	79	12	1SL5069A00	468.00	39.00	5.94
100 x 60	4 x 2 1/4	20	66	10	1SL5071A00	430.00	43.00	6.55
120 x 60	4 3/4 x 2 1/4	14	46	7	1SL5073A00	343.00	49.00	7.47
25 x 80	1 x 3	28	92	14	1SL5083A00	451.50	32.25	4.91
40 x 80	1 1/2 x 3	36	118	18	1SL5085A00	634.50	35.25	5.37
60 x 80	2 1/4 x 3	24	79	12	1SL5087A00	456.00	38.00	5.79
80 x 80	3 x 3	16	52	8	1SL5089A00	364.00	45.50	6.93
100 x 80	4 x 3	16	52	8	1SL5091A00	394.00	49.25	7.51
120 x 80	4 3/4 x 3	12	39	6	1SL5093A00	336.00	56.00	8.53
25 x 100	1 x 4	20	65.5	10	1SL5094A00	377.50	37.75	5.75
40 x 100	1 1/2 x 4	28	92	14	1SL5095A00	567.00	40.50	6.17
60 x 100	2 1/4 x 4	20	66	10	1SL5096A00	432.50	43.25	6.59
80 x 100	3 x 4	14	46	7	1SL5097A00	371.00	53.00	8.08
100 x 100	4 x 4	8	26	4	1SL5098A00	236.00	59.00	8.99
150 x 100	6 x 4	8	26	4	1SL5099A00	372.00	93.00	14.17

NOTE: Sold in package quantity only. Order quantity must equal quantity shown in "pieces per package" column. Example: For 1SL5019A00, 23 pieces must be ordered to get package quantity.

High density; 4 – 6 mm slot

Dimensions W x H (mm)	Dimensions W x H (in)	Meters per package	Feet per package	Pieces per package ^①	Catalog number ^{①②}	List price per package	List price per 2M piece	List price per foot
15 x 17	1/2 x 5/8	46	151	23	1SL5119A00	\$ 345.00	\$ 15.00	\$ 2.29
25 x 30	1 x 11/4	58	190.5	29	1SL5133A00	565.50	19.50	2.97
40 x 30	1 1/2 x 1 3/4	40	131.5	20	1SL5135A00	500.00	25.00	3.81
60 x 30	2 1/4 x 1 1/4	52	171	26	1SL5137A00	734.50	28.25	4.31
25 x 40	1 x 1 1/2	48	157.5	24	1SL5143A00	570.00	23.75	3.62
40 x 40	1 1/2 x 1 1/2	30	98.5	15	1SL5145A00	397.50	26.50	4.04
60 x 40	2 1/4 x 1 1/2	40	131	20	1SL5147A00	590.00	29.50	4.50
80 x 40	3 x 1 1/2	32	105	16	1SL5149A00	604.00	37.75	5.75
100 x 40	4 x 1 1/2	24	79	12	1SL5151A00	474.00	39.50	6.02
120 x 40	4 3/4 x 1 1/2	20	66	10	1SL5153A00	432.50	43.25	6.59
25 x 60	1 x 2 1/4	34	111.5	17	1SL5163A00	442.00	26.00	3.96
40 x 60	1 1/2 x 2 1/4	22	72	11	1SL5165A00	319.00	29.00	4.42
60 x 60	2 1/4 x 2 1/4	32	105	16	1SL5167A00	488.00	30.50	4.65
80 x 60	3 x 2 1/4	24	79	12	1SL5169A00	468.00	39.00	5.94
100 x 60	4 x 2 1/4	20	66	10	1SL5171A00	430.00	43.00	6.55
120 x 60	4 3/4 x 2 1/4	14	46	7	1SL5173A00	343.00	49.00	7.47
25 x 80	1 x 3	28	82	14	1SL5183A00	451.50	32.25	4.91
40 x 80	1 1/2 x 3	36	118	18	1SL5185A00	634.50	35.25	5.37
60 x 80	2 1/4 x 3	24	79	12	1SL5187A00	456.00	38.00	5.79
80 x 80	2 1/4 x 3	16	52	8	1SL5189A00	364.00	45.50	6.93
100 x 80	4 x 3	16	52	8	1SL5191A00	394.00	49.25	7.51
120 x 80	4 3/4 x 3	12	39	6	1SL5193A00	336.00	56.00	8.53
25 x 100	1 x 4	20	65.5	10	1SL5194A00	377.50	37.75	5.75
40 x 100	1 1/2 x 4	28	92	14	1SL5195A00	567.00	40.50	6.17
60 x 100	2 1/4 x 4	20	66	10	1SL5196A00	432.50	43.25	6.59
80 x 100	3 x 4	14	46	7	1SL5197A00	371.00	53.00	8.08
100 x 100	4 x 4	8	26	4	1SL5198A00	236.00	59.00	8.99
150 x 100	6 x 4	8	26	4	1SL5199A00	372.00	93.00	14.17

NOTE: Sold in package quantity only. Order quantity must equal quantity shown in "pieces per package" column. Example: For 1SL5119A00, 23 pieces must be ordered to get package quantity.

① Sold in package quantity only. Order quantity must equal quantity shown in "pieces per package" column.
② Wire duct cover included.

Wiring duct Specialty products



05330

05400

18372

Wiring duct with knockouts

Wiring duct with 18mm 1/2" and 23mm 3/4" knockouts, gray

Dimensions W x H (mm)	Dimensions W x H (in)	Meters per package	Feet per package	Pieces per package ①	Catalog number ①②	List price per package ①	List price per 2M piece	List price per foot
50 x 50	2 x 2	36	118	18	05330	\$ 738.00	\$ 41.00	\$ 6.25
100 x 60	4 x 1 1/2	18	59	9	05331	450.00	45.00	7.50

NOTE: Sold in package quantity only. Order quantity must equal quantity shown in "pieces per package" column.
Example: For 05330, 18 pieces must be ordered to get package quantity.

Flexible wiring duct

Flexible wiring duct – (500mm), White

Dimensions W x H (mm)	Dimensions W x H (in)	Meters per package	Feet per package	Pieces per package ①	Catalog number ①	List price per package	List price per piece	List price per foot
12.5 x 12.5	1/2 x 1/2	56	184	112	05400	\$ 1344.00	\$ 12.00	\$ 7.32
16 x 16	5/8 x 5/8	42	138	84	05402	1134.00	13.50	8.23
20 x 20	3/4 x 3/4	56	184	112	05405	1820.00	16.25	9.91
25 x 25	1 x 1	35	115	70	05410	1260.00	18.00	10.97
30 x 30	1 3/4 x 1 3/4	25	82	50	05415	1075.00	21.50	13.11
40 x 40	1 1/2 x 1 1/2	25	82	50	05420	1375.00	27.50	16.76
50 x 50	2 x 2	16	52	32	05425	1064.00	33.25	20.27

NOTE: Sold in package quantity only. Order quantity must equal quantity shown in "pieces per package" column.
Example: For 05400, 112 pieces must be ordered to get package quantity.

Flexible wiring duct – UL Recognized (19.5"), Gray

Dimensions Inside dia. (mm)	Dimensions Inside dia. (in.)	Meters per package	Feet per package	Pieces per package	Catalog number	List price per package	List price per piece	List price per foot
10	.39	350	1148	700	T-10 ③	\$ 7700.00	\$ 11.00	\$ 6.77
20	.79	175	574	350	T-20 ③	4112.50	11.75	7.23
30	1.18	100	328	200	T-30 ③	2550.00	12.75	7.85
40	1.58	50	164	100	T-40 ③	1450.00	14.50	8.92

Spiral wrap

Spiral wrap

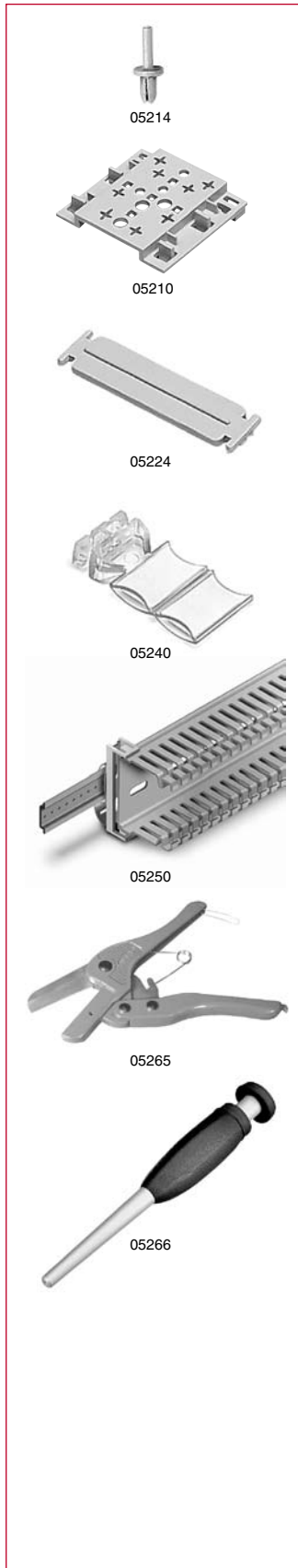
Height Dim A in [mm]	Width Dim B in [mm]	Diameter (mm)		Length per roll (meters)	Length per roll (feet)	Catalog number	List price	
		Min. in [mm]	Max. in [mm]					
Translucent polyethylene								
.12 [3]	.2 [5]	.08 [2]	.47 [12]		50	164	18370	\$ 60.00
.24 [6]	.31 [8]	.2 [5]	2.20 [56]		25	82	18372	40.75
.39 [10]	.43 [11]	.47 [12]	3.94 [100]		25	82	18374	56.50
.47 [12]	.51 [13]	.55 [14]	5.12 [130]		25	82	18376	92.00
Self-extinguishing polyethylene								
.12 [3]	.2 [5]	.08 [2]	.47 [12]		50	164	18380	70.00
.24 [6]	.31 [8]	.2 [5]	2.20 [56]		25	82	18382	52.50
.39 [10]	.43 [11]	.47 [12]	3.94 [100]		25	82	18384	84.00
.47 [12]	.51 [13]	.55 [14]	5.12 [130]		25	82	18386	117.25

① Sold in package quantity only. Order quantity must equal quantity shown in "pieces per package" column.

② Wire duct cover included.

③ T10 has a square body; T20 - T40 has a round body.

Wiring duct Tools and Accessories



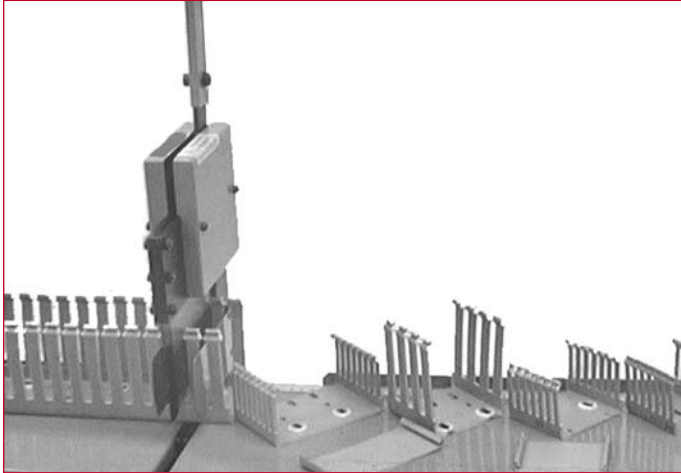
Item	Pieces per package	Catalog number	List price per package
Plastic rivet, 4 mm (to be used with plastic ducting base)	100	05214	\$ 30
Plastic rivet, 6 mm, (to be used with plastic ducting base)	100	05216	36
Plastic ducting base	100	05210	150
Plastic wire stops for 8 – 12 mm slot 40 mm bases	100	05224	100
Plastic wire stops for 8 – 12 mm slot 60 mm bases	100	05226	125
Plastic wire stops for 8 – 12 mm slot 80 mm bases	100	05228	150
Plastic wire stops for 8 – 12 mm slot 100 mm bases	100	05230	200
Plastic label for 8 – 12 mm slot	100	05240	240
Rapid clip for DIN rail for 25 mm base	20	05250	100
Rapid clip for DIN rail for 40 mm base	20	05252	80
Rapid clip for DIN rail for 60 mm base	20	05254	90
Rapid clip for DIN rail for 80 mm base	20	05256	100
Rapid clip for DIN rail for 100 mm base	20	05258	105
Rapid clip for DIN rail for 120 mm base	20	05260	110
Rapid clip for DIN rail for 150 mm base	20	05262	115
Wire duct hand cutting tool	1	05265	150
Rivet gun	1	05266	200
Adhesive tape, 6 mm wide x 50 m long	1	05930	65
Adhesive tape, 9 mm wide x 50 m long	1	05932	95

Wiring duct covers

Dimensions Width mm	Color	Meters per package	Feet per package	Pieces per package	Catalog number	List price per package	List price per 2M piece	List price per foot
15	Gray	200	656	100	05300	\$ 400.00	\$ 4.00	\$ 0.61
25	Gray	60	197	30	05302	144.00	4.80	0.73
40	Gray	40	131	20	05304	170.00	8.50	1.30
60	Gray	24	79	12	05306	159.00	13.25	2.02
80	Gray	16	52	8	05308	164.00	20.50	3.12
100	Gray	48	157	24	05310	576.00	24.00	3.66
120	Gray	36	118	18	05312	621.00	34.50	5.26
150	Gray	28	92	14	05314	637.00	45.50	6.93
15	White	200	656	100	1SL5300A00	400.00	4.00	0.61
25	White	60	197	30	1SL5302A00	144.00	4.80	0.73
40	White	40	131	20	1SL5304A00	170.00	8.50	1.30
60	White	24	79	12	1SL5306A00	159.00	13.25	2.02
80	White	16	52	8	1SL5308A00	164.00	20.50	3.12
100	White	48	157	24	1SL5310A00	576.00	24.00	3.66
120	White	36	118	18	1SL5312A00	621.00	34.50	5.26
150	White	28	92	14	1SL5314A00	637.00	45.50	6.93

NOTE: Sold in package quantity only. Order quantity must equal quantity shown in "pieces per package" column. Example: For 05300, 100 pieces must be ordered to get package quantity.

Wiring duct Tools Wiring duct cutter – Industrial grade

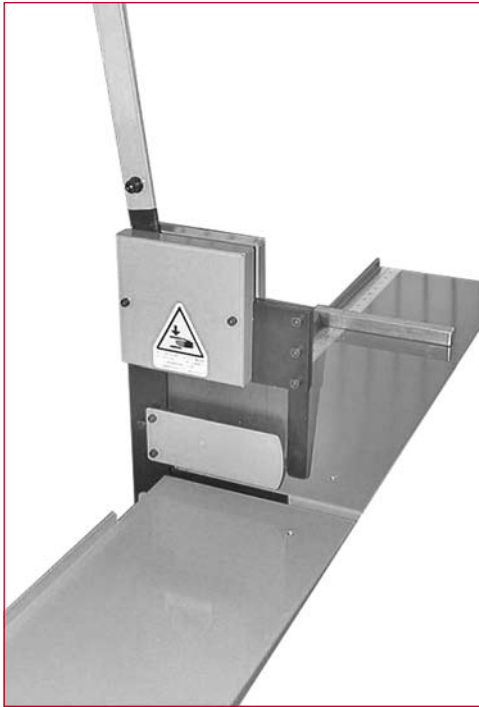


Description

Description	Catalog number	List price
Wire duct cutting machine - Industrial grade	XUS001628	\$ 800
Replacement blade	XUS001629	205

Technical Features

- Length: 1450 mm
- Height: 950 mm
- Depth: 260 mm
- Blade length: 130 mm (maximum wire duct cutting width is 120 mm (5.0 in))
- Blade life: 250,000 cuts
- Blade life is based on usage of traditional PVC wiring duct. Use of halogen-free wiring or any other wiring duct containing abrasive material dramatically reduces the blade life
- Bench mounting material not included.



13

Wiring duct

Tools

Wiring duct cutter – Production grade



Description

Description	Catalog number	List price
Wire duct cutting machine - Production grade	XUS002518	\$ 1200
Replacement blade	XUS002519	495

Technical Features

- Length: 1290 mm
- Height: 785 mm
- Depth: 285 mm
- Blade length: 136 mm (maximum wire duct cutting width is 120 mm (5.0 in))
- Blade life: 400,000 cuts
- Blade life is based on usage of traditional PVC wiring duct. Use of halogen-free wiring or any other wiring duct containing abrasive material dramatically reduces the blade life
- Calibrated scale
- Bench mounting material not included.

Wiring duct

Technical data

Wire capacity, 18 - 750 AWG

18 - 1 AWG

		ABB wiring duct code		Nominal duct size (mm)	Nominal duct size (inches)	Usable areas (mm ²)	Maximum number of wires according to AGW and cable section (mm ²)										
Gray 4/6 slot	Gray 8/12 slot	White 4/6 slot	White 8/12 slot				18 0.82	16 1.3	14 2.1	12 3.3	10 5.3	8 8.4	6 13.3	4 21.2	3 26.7	2 33.6	1 42.4
05119	05019	1SL5119A00	1SL5019A00	15x17	1/2x5/8	110	67	42	26	16	10	6	4	2	2	1	1
05133	05033	1SL5133A00	1SL5033A00	25x30	1x1 1/4	490	298	188	116	74	46	29	18	11	9	7	5
05135	05035	1SL5135A00	1SL5035A00	40X30	1 1/2X1 1/4	890	542	342	211	134	83	52	33	20	16	13	10
05137	05037	1SL5137A00	1SL5037A00	60x30	2 1/4x1 1/4	1430	871	550	340	216	134	85	53	33	26	21	16
05143	05043	1SL5143A00	1SL5043A00	25X40	1X1 1/2	710	432	273	169	107	66	42	26	16	13	10	8
05145	05045	1SL5145A00	1SL5045A00	40x40	1 1/2x1 1/2	1260	768	484	300	190	118	75	47	29	23	18	14
05147	05047	1SL5147A00	1SL5047A00	60x40	2 1/4x1 1/2	2000	1219	769	476	303	188	119	75	47	37	29	23
05149	05049	1SL5149A00	1SL5049A00	80X40	3X1 1/2	2710	1652	1042	645	410	255	161	101	63	50	40	31
05151	05051	1SL5151A00	1SL5051A00	100X40	4X1 1/2	3460	2109	1330	823	524	326	205	130	81	64	51	40
05153	05053	1SL5153A00	1SL5053A00	120X40	4 3/4X1 1/2	4200	2560	1615	1000	636	396	250	157	99	78	62	49
05163	05063	1SL5163A00	1SL5063A00	25X60	1 X 2 1/4	1120	682	430	266	169	105	66	42	26	20	16	13
05165	05065	1SL5165A00	1SL5065A00	40X60	1 1/2X2 1/4	1970	1201	757	469	298	185	117	74	46	36	29	23
05167	05067	1SL5167A00	1SL5067A00	60X60	2 1/4X2 1/4	3060	1865	1176	728	463	288	182	115	72	57	45	36
05169	05069	1SL5169A00	1SL5069A00	80X60	3X2 1/4	4190	2554	1611	997	634	395	249	157	98	78	62	49
05171	05071	1SL5171A00	1SL5071A00	100X60	4X2 1/4	5320	3243	2046	1266	806	501	316	200	125	99	79	62
05173	05073	1SL5173A00	1SL5073A00	120X60	4 3/4X2 1/4	6330	3859	2434	1507	959	597	376	237	149	118	94	74
05183	05083	1SL5183A00	1SL5083A00	25X80	1X3	1540	939	592	366	233	145	91	57	36	28	22	18
05185	05085	1SL5185A00	1SL5085A00	40X80	1 1/2X3	2670	1628	1026	635	404	251	158	100	62	50	39	31
05187	05087	1SL5187A00	1SL5087A00	60X80	2 1/4X3	4140	2524	1592	985	627	390	246	155	97	77	61	48
05189	05089	1SL5189A00	1SL5089A00	80X80	3X3	5650	3445	2173	1345	856	533	336	212	133	105	84	66
05191	05091	1SL5191A00	1SL5091A00	100X80	4X3	7170	4371	2757	1707	1086	676	426	269	169	134	106	84
05193	05093	1SL5193A00	1SL5093A00	120X80	4 3/4X3	8570	5225	3296	2040	1298	808	510	322	202	160	127	101
05194	05094	1SL5194A00	1SL5094A00	25X100	1X4	1970	1201	757	469	298	185	117	74	46	36	29	23
05195	05095	1SL5195A00	1SL5095A00	40X100	1 1/2X4	3410	2079	1311	811	516	321	202	128	80	63	50	40
05196	05096	1SL5196A00	1SL5096A00	60X100	2 1/4X4	5300	3231	2038	1261	803	500	315	199	125	99	78	62
05197	05097	1SL5197A00	1SL5097A00	80X100	3X4	7190	4384	2765	1711	1089	678	427	270	169	134	106	84
05198	05098	1SL5198A00	1SL5098A00	100X100	4X4	9110	5554	3503	2169	1380	859	542	342	214	170	135	107
05199	05099	1SL5199A00	1SL5099A00	150X100	6X4	13,740	8378	5284	3271	2081	1296	817	516	324	257	204	162

1/0 - 750 AWG

13

		ABB wiring duct code		Nominal duct size (mm)	Nominal duct size (inches)	Usable areas (mm ²)	Maximum number of wires according to AGW and cable section (mm ²)										
Gray 4/6 slot	Gray 8/12 slot	White 4/6 slot	White 8/12 slot				1/0 53.5	2/0 67.4	3/0 85	4/0 107.2	250 127	300 152	350 177	400 203	500 253	600 304	750 380
05119	05019	1SL5119A00	1SL5019A00	15x17	1/2x5/8	110	1	0	0	0	0	0	0	0	0	0	0
05133	05033	1SL5133A00	1SL5033A00	25x30	1x1 1/4	490	4	3	2	2	1	1	1	0	0	0	0
05135	05035	1SL5135A00	1SL5035A00	40X30	1 1/2X1 1/4	890	8	6	5	4	3	2	2	2	1	1	1
05137	05037	1SL5137A00	1SL5037A00	60x30	2 1/4x1 1/4	1430	13	10	8	6	5	4	3	2	2	2	1
05143	05043	1SL5143A00	1SL5043A00	25X40	1X1 1/2	710	6	5	4	3	2	2	1	1	1	0	0
05145	05045	1SL5145A00	1SL5045A00	40x40	1 1/2x1 1/2	1260	11	9	7	5	4	3	3	2	2	1	1
05147	05047	1SL5147A00	1SL5047A00	60x40	2 1/4x1 1/2	2000	18	14	11	9	7	6	5	4	3	3	2
05149	05049	1SL5149A00	1SL5049A00	80X40	3X1 1/2	2710	25	20	15	12	10	8	7	6	5	4	3
05151	05051	1SL5151A00	1SL5051A00	100X40	4X1 1/2	3460	32	25	20	16	13	11	9	8	6	5	4
05153	05053	1SL5153A00	1SL5053A00	120X40	4 3/4X1 1/2	4200	39	31	24	19	16	13	11	10	8	6	5
05163	05063	1SL5163A00	1SL5063A00	25X60	1 X 2 1/4	1120	10	8	6	5	4	3	3	2	2	1	1
05165	05065	1SL5165A00	1SL5065A00	40X60	1 1/2X2 1/4	1970	18	14	11	9	7	6	5	4	3	3	2
05167	05067	1SL5167A00	1SL5067A00	60X60	2 1/4X2 1/4	3060	28	22	18	14	12	10	8	7	6	5	4
05169	05069	1SL5169A00	1SL5069A00	80X60	3X2 1/4	4190	39	31	24	19	16	13	11	10	8	6	5
05171	05071	1SL5171A00	1SL5071A00	100X60	4X2 1/4	5320	49	39	31	24	20	17	15	13	10	8	7
05173	05073	1SL5173A00	1SL5073A00	120X60	4 3/4X2 1/4	6330	59	46	37	29	24	20	17	15	12	10	8
05183	05083	1SL5183A00	1SL5083A00	25X80	1X3	1540	14	11	9	7	6	5	4	3	3	2	2
05185	05085	1SL5185A00	1SL5085A00	40X80	1 1/2X3	2670	24	19	15	12	10	8	7	6	5	4	3
05187	05087	1SL5187A00	1SL5087A00	60X80	2 1/4X3	4140	38	30	24	19	16	13	11	10	8	6	5
05189	05089	1SL5189A00	1SL5089A00	80X80	3X3	5650	52	41	33	26	22	18	15	13	11	9	7
05191	05091	1SL5191A00	1SL5091A00	100X80	4X3	7170	67	53	42	33	28	23	20	17	14	11	9
05193	05093	1SL5193A00	1SL5093A00	120X80	4 3/4X3	8570	80	63	50	39	33	28	24	21	16	14	11
05194	05094	1SL5194A00	1SL5094A00	25X100	1X4	1970	18	14	11	9	7	6	5	4	3	3	2
05195	05095	1SL5195A00	1SL5095A00	40X100	1 1/2X4	3410	31	25	20	15	13	11	9	8	6	5	4
05196	05096	1SL5196A00	1SL5096A00	60X100	2 1/4X4	5300	49	39	31	24	20	17	14	13	10	8	6
05197	05097	1SL5197A00	1SL5097A00	80X100	3X4	7190	67	53	42	33	28	23	20	17	14	11	9
05198	05098	1SL5198A00	1SL5098A00	100X100	4X4	9110	85	67	53	42	35	29	25	22	18	14	11
05199	05099	1SL5199A00	1SL5099A00	150X100	6X4	13,740	128	101	80	64	54	45	38	33	27	22	18

Wiring duct Technical data Wire capacity, 800 - 1000 AWG

800 - 1000 AWG

Gray 4/6 slot	Gray 8/12 slot	ABB wiring duct code		Nominal duct size (mm)	Nominal duct size (inches)	Usable areas (mm ²)	Maximum number of wires according to AGW and cable section (mm ²)	
		White 4/6 slot	White 8/12 slot				800 405	1000 508
05119	05019	1SL5119A00	1SL5019A00	15x17	1/2x5/8	110	0	0
05133	05033	1SL5133A00	1SL5033A00	25x30	1x1 1/4	490	0	0
05135	05035	1SL5135A00	1SL5035A00	40X30	1 1/2X1 1/4	890	1	0
05137	05037	1SL5137A00	1SL5037A00	60x30	2 1/4x1 1/4	1430	1	1
05143	05043	1SL5143A00	1SL5043A00	25X40	1X1 1/2	710	0	0
05145	05045	1SL5145A00	1SL5045A00	40x40	1 1/2x1 1/2	1260	1	1
05147	05047	1SL5147A00	1SL5047A00	60x40	2 1/4x1 1/2	2000	2	1
05149	05049	1SL5149A00	1SL5049A00	80X40	3X1 1/2	2710	3	2
05151	05051	1SL5151A00	1SL5051A00	100X40	4X1 1/2	3460	4	3
05153	05053	1SL5153A00	1SL5053A00	120X40	4 3/4X1 1/2	4200	5	4
05163	05063	1SL5163A00	1SL5063A00	25X60	1 X 2 1/4	1120	1	1
05165	05065	1SL5165A00	1SL5065A00	40X60	1 1/2X2 1/4	1970	2	1
05167	05067	1SL5167A00	1SL5067A00	60X60	2 1/4X2 1/4	3060	3	3
05169	05069	1SL5169A00	1SL5069A00	80X60	3X2 1/4	4190	5	4
05171	05071	1SL5171A00	1SL5071A00	100X60	4X2 1/4	5320	6	5
05173	05073	1SL5173A00	1SL5073A00	120X60	4 3/4X2 1/4	6330	7	6
05183	05083	1SL5183A00	1SL5083A00	25X80	1X3	1540	1	1
05185	05085	1SL5185A00	1SL5085A00	40X80	1 1/2X3	2670	3	2
05187	05087	1SL5187A00	1SL5087A00	60X80	2 1/4X3	4140	5	4
05189	05089	1SL5189A00	1SL5089A00	80X80	3X3	5650	6	5
05191	05091	1SL5191A00	1SL5091A00	100X80	4X3	7170	8	7
05193	05093	1SL5193A00	1SL5093A00	120X80	4 3/4X3	8570	10	8
05194	05094	1SL5194A00	1SL5094A00	25X100	1X4	1970	2	1
05195	05095	1SL5195A00	1SL5095A00	40X100	1 1/2X4	3410	4	3
05196	05096	1SL5196A00	1SL5096A00	60X100	2 1/4X4	5300	6	5
05197	05097	1SL5197A00	1SL5097A00	80X100	3X4	7190	8	7
05198	05098	1SL5198A00	1SL5098A00	100X100	4X4	9110	11	8
05199	05099	1SL5199A00	1SL5099A00	150X100	6X4	13,740	16	13

Wiring duct Technical data

- Gray color — RAL 7030
- White color — RAL 9016
- Plastic insulating, shock-proof, self-extinguishing material in compliance with UL 94 VO Standard and resistant to abnormal heat and fire up to 960° (glow wire test) in compliance with IEC 695-2-1 Standard. UL File # E125800
- Minimum storage/transport temperature -5°C
- Minimum installation and usage temperature -15°C
- Maximum usage temperature +60°C.
- Resistance to acids, oils and greases
- No burr, rounded-off inner edges
- New rib profile makes it easy to open and close the cover and guarantees that it clips on more safely
- Designed to snap onto the Fix-O-rapid special accessory, suitable to be fastened both to DIN rail and base plate
- The ribs are cut using a special pressing process (rounding of the edges) producing wiring ducts completely free of burr and rough edges
- The dimensions and resilience of the ribs ensure repeated splaying during cabling
- Controlled splaying of sides to ensure a perfect seal of the cover in the vertical sections and at high temperatures
- Double trimming line, one at the base of the ribs so that they can be removed by bending them outwards, and one at the base of the lateral sides so that the edge can be cut when two wiring ducts are branched
- Cable holder moldings half-way up the straight section of the ribs in 80 and 100 mm high wiring ducts
- Cover can be opened without having to use a special tool
- Can be mounted on horizontal or vertical surfaces even when the cover is on the bottom
- Standard 2 meter length
- Industrial application

Wiring duct Technical data Resistance to chemical agents

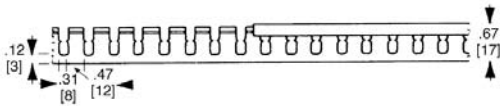
Chemical	Concentration	Temp. °C	Resistance	Chemical	Concentration	Temp. °C	Resistance
Acetic acid, hydrous	10%	50	①	Formic acid	100%	20	①
Acetic acid	60%	50	①	Freon 12	—	20	①
Acetone	Traces	20	②	Gasoline	—	50	①
Acetone	100%	20	②	Glycerine, hydrous	—	50	①
Acqua regia	—	20	①	Hydrochloric acid	saturated	50	①
Ammonia concentrate	88%	50	①	Hydrogen	—	50	①
Ammonia, dry gas	100%	50	①	Linseed oil	—	50	①
Ammonia, liquid	100%	20	③	Lubricating oils	—	50	①
Aniline, pure	100%	20	②	Mineral oil	—	50	①
Arsenic acid, hydrous	concentrated	20	①	Molasses	—	20	④
Barium hydroxide, hydr.	—	50	①	Oils and fats	commercial	50	①
Beer	commercial	20	①	Oil of turpentine	commercial	20	①
Benzene	—	20	②	Ozone	—	20	①
Benzoic acid	—	20	③	Paraffin wax	—	50	①
Borax, hydrous	thinned	50	①	Photographic developer	commercial	50	①
Boric acid, hydrous	thinned	50	①	Photographic emulsions	—	50	①
Brandy	commercial	20	①	Potassium permanganate	6%	20	①
Bromide liquid	—	20	②	Propane, liquid	—	20	①
Butane gaseous	—	20	①	Salicylic acid	—	50	①
Butadiene	50%	50	①	Sea water	—	50	①
Butanol	—	20	①	Soda, hydrous	saturated	50	①
Butyric acid, hydrous	20%	20	①	Sodium chloride	thinned	50	①
Calcium chloride	—	50	①	Spirits, all types	—	20	①
Camphor oil	—	20	①	Sulphur	—	50	①
Carbon tetrachloride	—	20	③	Sulphuric acid, hydrous	40%	50	①
Chlorine gaseous, dry	100%	20	①	Tannic acid	—	50	①
Chlorine gaseous, moist	20%	20	③	Tetrahydrofuran	—	20	②
Chlorine water	saturated	20	③	Toluene	—	20	②
Chromic acid, hydrous	—	50	①	Urea, hydrous	—	50	①
Citric acid, hydrous	—	50	①	Urine	—	50	①
Copper sulphate, hydrous	thinned	50	①	Vinegar	commercial	50	①
Diesel oil	—	20	①	Water	—	50	①
Ethyl-alcohol	100% (in water)	20	①	Wines, red & white	commercial	20	①
Formaldehyde, hydrous	40%	50	①	Zinc sulphate, hydrous	thinned	50	①

- ① Resistant
- ② Not sufficiently resistant
- ③ Resistant in certain conditions
- ④ Resistance to this product has been determined from the resistance to chemical products of similar composition

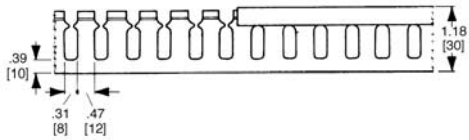
Wiring duct Approximate dimensions

00.00 Inches
00.00 [Millimeters]

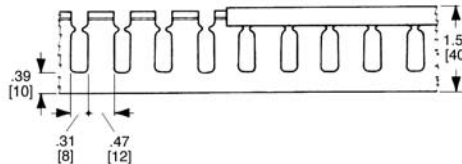
.31 - .47" [8-12 mm] slot
.87" [17 mm] height



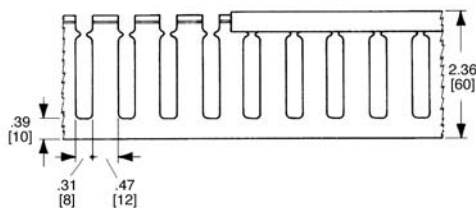
1.18" [30 mm] height



1.57" [40 mm] height

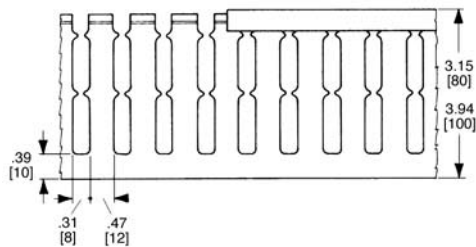


2.36" [60 mm] height

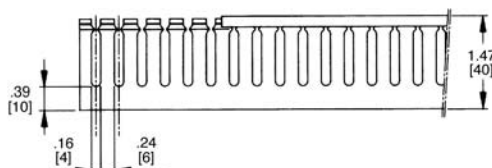


13

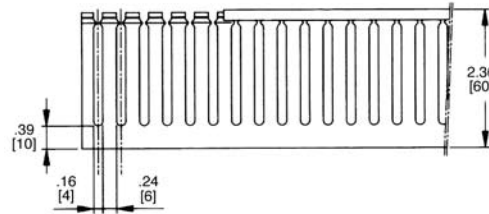
3.15", 3.94" [80 mm, 100 mm] height



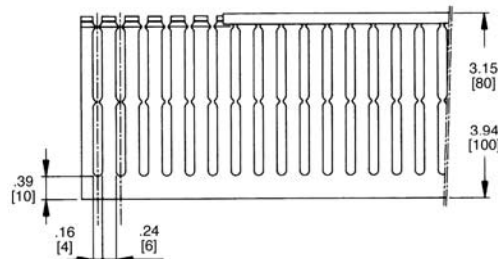
.16 - .24" [4 - 6 mm] slot
1.47" [40 mm] height



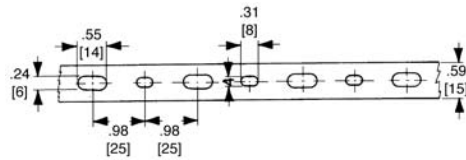
2.36" [60 mm] height



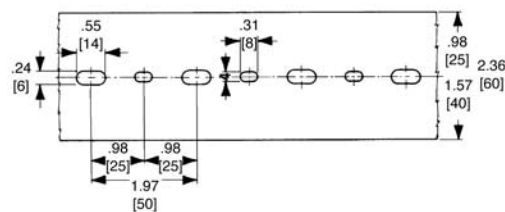
3.15", 3.94" [80 mm, 100 mm] height



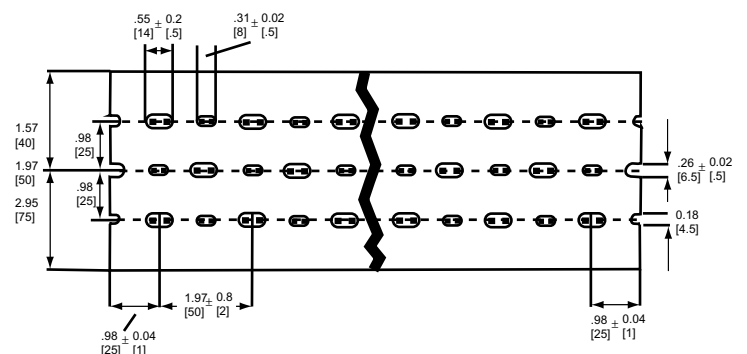
.16 - .24" [4 - 6 mm] & .31 - .47" [8 - 12 mm] spacing
.59" [15 mm] width

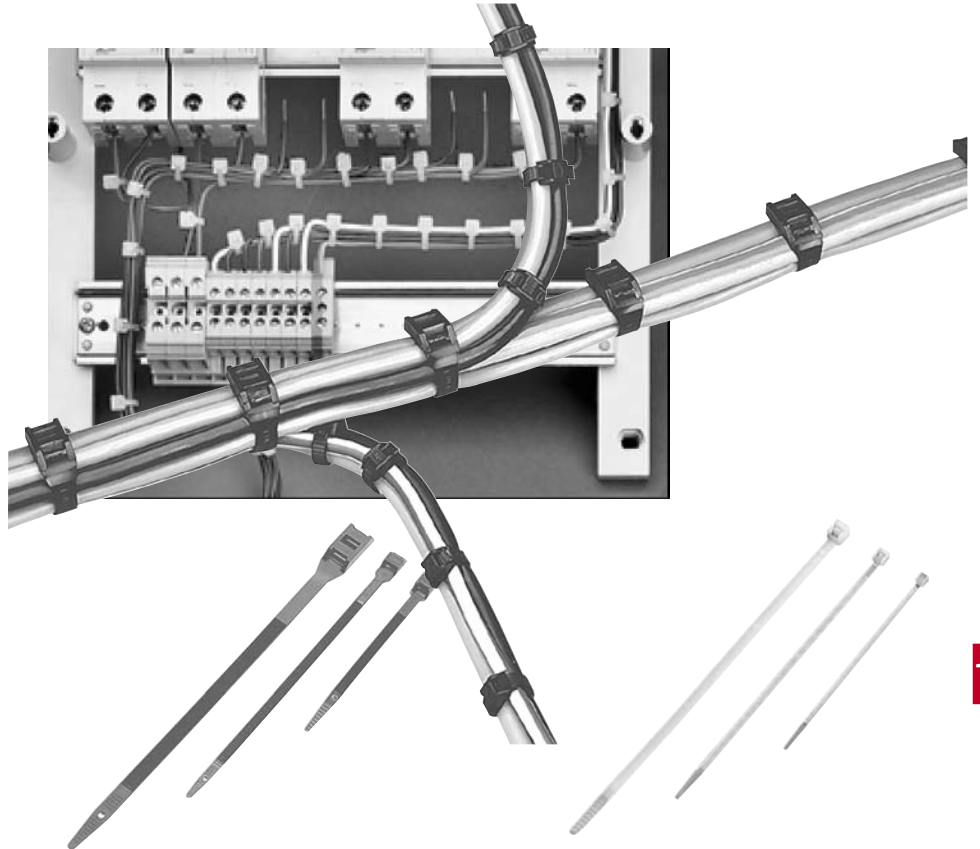


.98", 1.57", 2.36" [25, 40, 60 mm] width



1.57", 1.97", 2.95" [80, 100, 150 mm] width





Features

- Easy to install and remove.
- Provides protection to the wire bundle.
- Available in white and black

Applications

- Fast and economical grouping of wire bundles.
- Joining groups of wires and/or tubing.
- Flexible connections between door and panel

Cable ties



Sample cable tie installations



White 6/6 polyamide cable ties



Black 6/6 polyamide cable ties



Black 12 polyamide cable ties

Cable ties

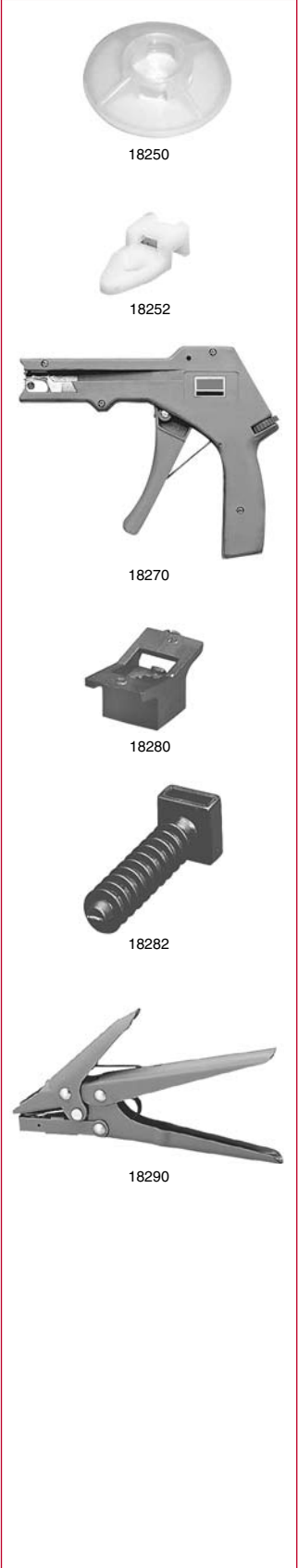
Item L x W ②	Minimum tensile strength (lbs.)	Pieces per ① package	Catalog number ①	List price per package
White (6/6 polyamide)				
3.94" (100 mm) x .10" (2.5 mm)	24	100	18010	\$ 6.50
5.31" (135 mm) x .10" (2.5 mm)	24		18011	7.00
6.30" (160 mm) x .10" (2.5 mm)	24		18013	8.00
5.51" (140 mm) x .14" (3.5 mm)	44		18012	8.00
7.87" (200 mm) x .14" (3.5 mm)	44		18014	9.00
11.02" (280 mm) x .14" (3.5 mm)	44		18017	12.00
7.09" (180 mm) x .17" (4.5 mm)	61		18015	10.25
11.02" (280 mm) x .17" (4.5 mm)	61		18018	19.00
14.17" (360 mm) x .17" (4.5 mm)	61		18020	23.00
7.87" (200 mm) x .30" (7.5 mm)	143		18024	22.00
11.02" (280 mm) x .30" (7.5 mm)	143		18026	28.00
14.17" (360 mm) x .30" (7.5 mm)	143		18028	34.00
16.92" (430 mm) x .35" (9 mm)	176		18034	46.00
21.65" (550 mm) x .35" (9 mm)	176		18036	55.00
30.71" (780 mm) x .35" (9 mm)	176		18038	75.00
White (6/6 bulk)				
3.94" (100 mm) x .10" (2.5 mm)	24	1000	18060	55.00
5.31" (135 mm) x .10" (2.5 mm)	24		18061	60.00
6.30" (160 mm) x .10" (2.5 mm)	24		18063	70.00
5.51" (140 mm) x .14" (3.5 mm)	44		18062	70.00
7.87" (200 mm) x .14" (3.5 mm)	44		18064	80.00
Black (6/6 polyamide)				
3.94" (100 mm) x .10" (2.5 mm)	24	100	18110	6.75
5.31" (135 mm) x .10" (2.5 mm)	24		18111	7.25
6.30" (160 mm) x .10" (2.5 mm)	24		18113	8.50
5.51" (140 mm) x .14" (3.5 mm)	44		18112	8.25
7.87" (200 mm) x .14" (3.5 mm)	44		18114	9.50
11.02" (280 mm) x .14" (3.5 mm)	44		18117	13.00
7.09" (180 mm) x .17" (4.5 mm)	61		18115	10.75
11.02" (280 mm) x .17" (4.5 mm)	61		18118	20.50
14.17" (360 mm) x .17" (4.5 mm)	61		18120	25.00
7.87" (200 mm) x .30" (7.5 mm)	143		18124	24.00
11.02" (280 mm) x .30" (7.5 mm)	143		18126	31.00
14.17" (360 mm) x .30" (7.5 mm)	143		18128	37.00
16.92" (430 mm) x .35" (9 mm)	176		18134	48.00
21.65" (550 mm) x .35" (9 mm)	176		18136	57.00
30.71" (780 mm) x .35" (9 mm)	176		18138	77.00
Black (6/6 bulk)				
3.94" (100 mm) x .10" (2.5 mm)	24	1000	18160	57.00
5.31" (135 mm) x .10" (2.5 mm)	24		18161	63.00
6.30" (160 mm) x .10" (2.5 mm)	24		18163	77.00
5.51" (140 mm) x .14" (3.5 mm)	44		18162	77.00
7.87" (200 mm) x .14" (3.5 mm)	44		18164	85.00
Black (12 polyamide)				
4.53" (115 mm) x .24" (6 mm)	55	100	18210	21.00
6.89" (175 mm) x .24" (6 mm)	55		18212	24.00
4.53" (115 mm) x .35" (9 mm)	88		18218	32.00
7.09" (180 mm) x .35" (9 mm)	110		18220	36.00
10.43" (265 mm) x .35" (9 mm)	110		18222	42.00
14.17" (360 mm) x .35" (9 mm)	110		18224	55.00

① Sold in package quantity only.

② 25.4mm = 1 inch

Cable ties Accessories

Cable tie accessories



Item	Pieces per package ①	Catalog number ①	List price per package
Self-adhesive base for cable ties (clear)	50	18250	\$ 18.00
Self-adhesive base for cable ties (black)	50	18251	18.00
Screw mounted base for cable ties (clear)	100	18252	14.00
Screw mounted base for cable ties (black)	100	18253	14.00
Cable tie cutter	1	18270	150.00
Screw mounted base for cable ties	25	18280	13.00
Push-in base for cable ties	25	18282	20.00
Outer cable tie cutter	1	18290	80.00

① Sold in package quantity only.

Cable ties

Technical data & approximate dimensions

General features

- Manufactured in 6/6 nylon; Colorless for general uses
- Better stored at mild temperatures, away from heat and excessively dry conditions
- Black cable ties are UV resistant; excellent for outdoor applications

Thermal properties

- Suitable for use at temperatures from -40° to +110°C
- Softening point VICAT VST/B/50-DIN 53460 over 200°C

Electrical characteristics

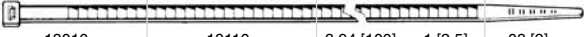
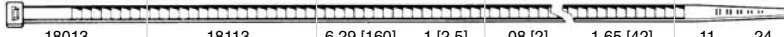
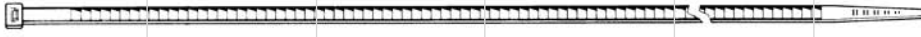


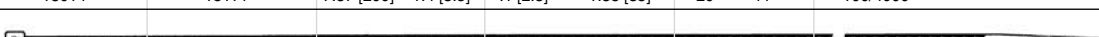
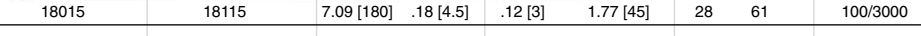
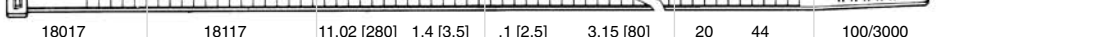

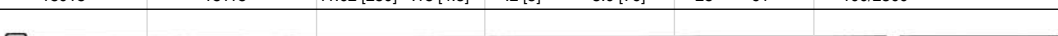
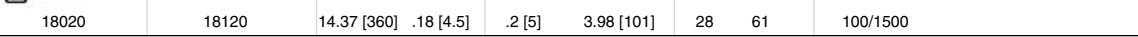

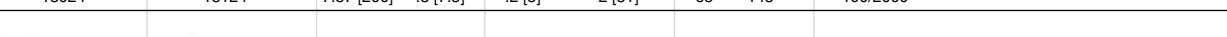
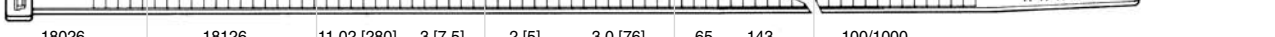
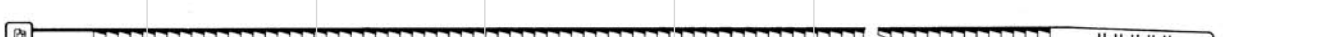
- Dielectric endurance 50,000 V/mm

Chemical characteristics

- Good resistance to bases, oil, grease, hydrocarbons, acetone, chlorales
- Limited concentrated acid resistance
- Dissolved by phenol and formic acid

Mechanical characteristics

- Bending point DIN 53452 110 M Pa
- Load point DIN 53457 2800 M Pa
- Resilience DIN 53453 6-8 KJ/m²
- Yield point DIN 53456 80 M Pa
- Stretch point DIN 53455 35%
- Hardness DIN 53456 125 N/mm²

White polyamide Catalog number	Black polyamide Catalog number	Size		Tightening diameter		Minimum tightness		Pcs Unit/pack
		L in [mm]	D in [mm]	Minimum in [mm]	Maximum in [mm]	(N)	(lbs.)	
 18010	18110	3.94 [100]	.1 [2.5]	.08 [2]	.94 [24]	11	24	100/8000
 18013	18113	6.29 [160]	.1 [2.5]	.08 [2]	1.65 [42]	11	24	100/5000
 18012	18112	5.51 [140]	.14 [3.5]	.1 [2.5]	1.42 [36]	20	44	100/5000
 18011	18111	5.31 [135]	.1 [2.5]	.08 [2]	1.38 [35]	11	24	100/6000
 18014	18114	7.87 [200]	1.4 [3.5]	.1 [2.5]	1.38 [35]	20	44	100/4000
 18015	18115	7.09 [180]	.18 [4.5]	.12 [3]	1.77 [45]	28	61	100/3000
 18017	18117	11.02 [280]	1.4 [3.5]	.1 [2.5]	3.15 [80]	20	44	100/3000
 18018	18118	11.02 [280]	.18 [4.5]	.2 [5]	3.0 [76]	28	61	100/2500
 18020	18120	14.37 [360]	.18 [4.5]	.2 [5]	3.98 [101]	28	61	100/1500
 18024	18124	7.87 [200]	.3 [7.5]	.2 [5]	2 [51]	65	143	100/2000
 18026	18126	11.02 [280]	.3 [7.5]	.2 [5]	3.0 [76]	65	143	100/1000
 18034	18134	16.93 [430]	.35 [9.0]	.2 [5.0]	4.33 [110]	80	176	100/2000
 18036	18136	21.65 [550]	.35 [9.0]	.2 [5.0]	5.51 [140]	80	176	100/2000
 18038	18138	30.71 [780]	.35 [9.0]	.2 [5.0]	7.48 [190]	80	176	100/800
 18028	18128	14.17 [360]	.3 [7.5]	.2 [5.0]	4.02 [102]	65	143	100/2000

13

Cable ties

Technical data & approximate dimensions

General features

- Manufactured in 12 nylon
- Moisture absorption less than 1%
- Black cable ties are UV resistant; excellent for outdoor applications

Thermal properties

- Suitable for use at temperatures from -30° to +80°C
- Softening point VICAT VST/B/50-DIN 53460 over 160°C

Electrical characteristics

- Dielectric endurance 28,000 V/mm

Chemical characteristics

- Good resistance to bases, oil, grease, hydrocarbons, acetone, chlorales
- Limited resistance to nitric and chromic acid

Mechanical characteristics

- Bending point DIN 53452 20 M Pa
- Load point DIN 53457 420 M Pa
- Breaking load point DIN 53455 61 M Pa
- Resilience 20°C DIN 53453 KJ/m not broken
- Yield point DIN 53456 24 M Pa
- Stretch point DIN 53455 37%
- Hardness G2 Shore D

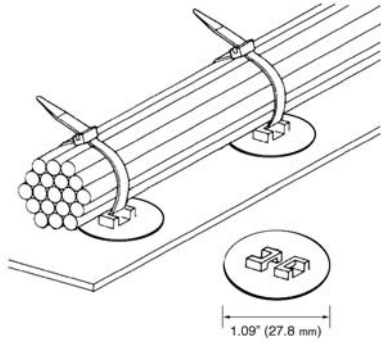
Black polyamide Catalog number	Size		Tightening diameter		Minimum tightness		Pcs Unit/pack
	L in [mm]	D in [mm]	Minimum in [mm]	Maximum in [mm]	(N)	(lbs.)	
18210	4.53 [115]	.24 [6]	.2 [5]	.79 [20]	25	55	100/3000
18212	6.89 [175]	.24 [6]	.39 [10]	1.57 [40]	25	55	100/2000
18218	4.53 [115]	.35 [9]	.2 [5]	.79 [20]	40	88	100/2000
18220	7.09 [180]	.35 [9]	.39 [10]	1.77 [45]	50	110	100/2000
18222	10.43 [265]	.35 [9]	.59 [15]	2.75 [70]	50	110	100/1000
18224	14.17 [360]	.35 [9]	.98 [25]	3.94 [100]	50	110	100/800

Cable ties

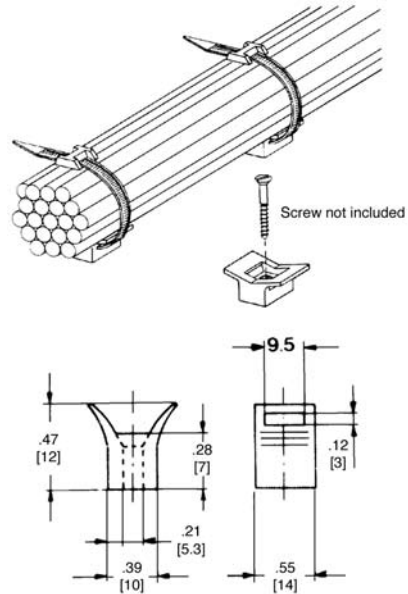
Approximate dimensions

00.00 Inches
00.00 [Millimeters]

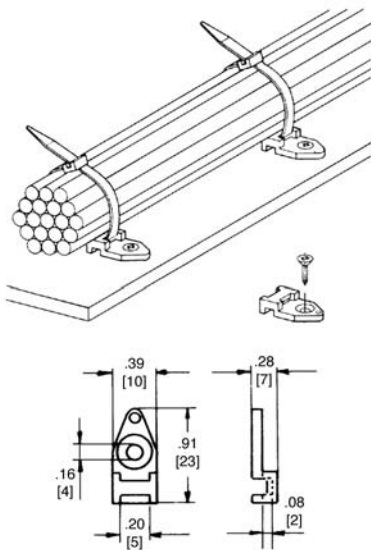
18250 & 18251
Self-adhesive base for cable ties



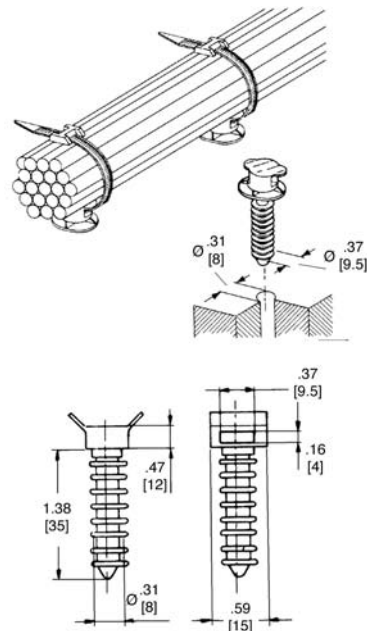
18280
Screw-mounted base for cable ties



18252 & 18253
Screw-mounted base for cable ties

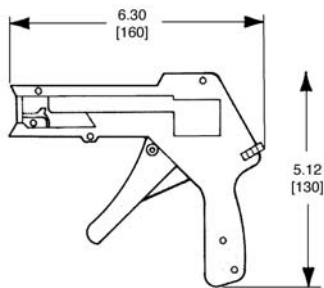


18282
Push-in base for cable ties

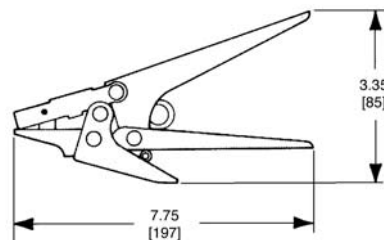


13

18270
Cable tie cutter



18270
Cable tie cutter



Notes

Cable
systems
ment



Publication LY001 (former AC1051)
No. 1SXU 811 001 C0201
Printed in USA, November 2003