

FlexPole Model PS & PD

A pole for all your needs
Compact, Efficient and Flexible



Features

This snap on all aluminum extrusion is 2" x 15/8" comes complete with a metal barrier between the power and communication sections. Our basic model is supplied with two standard Decor Duplex Recepticals 125V – 15A, 3 Decora knockouts (2 front, 1 back). A 10' line cord and plug with 3 # 14SJT wires is supplied for connecting to receptacle in the ceiling.

The ceiling mounting bracket is engineered to fit any inverted T Bar System. The maximum capacity of the communication section is 4-25 pair or 2-50 pair telephone cables. Lumacell standard finish is grey satin baked enamel.

Our Basic Model (Dual Compartment)

Lumacell Model "PS" and "PD" FlexPole with its efficient concept easily locates electrical, telephone or computer outlets where most needed.

When changing open area office layouts the FlexPole is simply unplugged and relocated. The all aluminum extrusion eliminates the nuisance of transient inductions.

Installation is complete with an easy to install ceiling mounting bracket with canopy.

Notes

CSA allows a maximum of 2-15A standard duplex receptacles when using a line cord or a maximum of 4 duplex receptacles 15A on 2 separate circuits using a junction box for permanent connection.

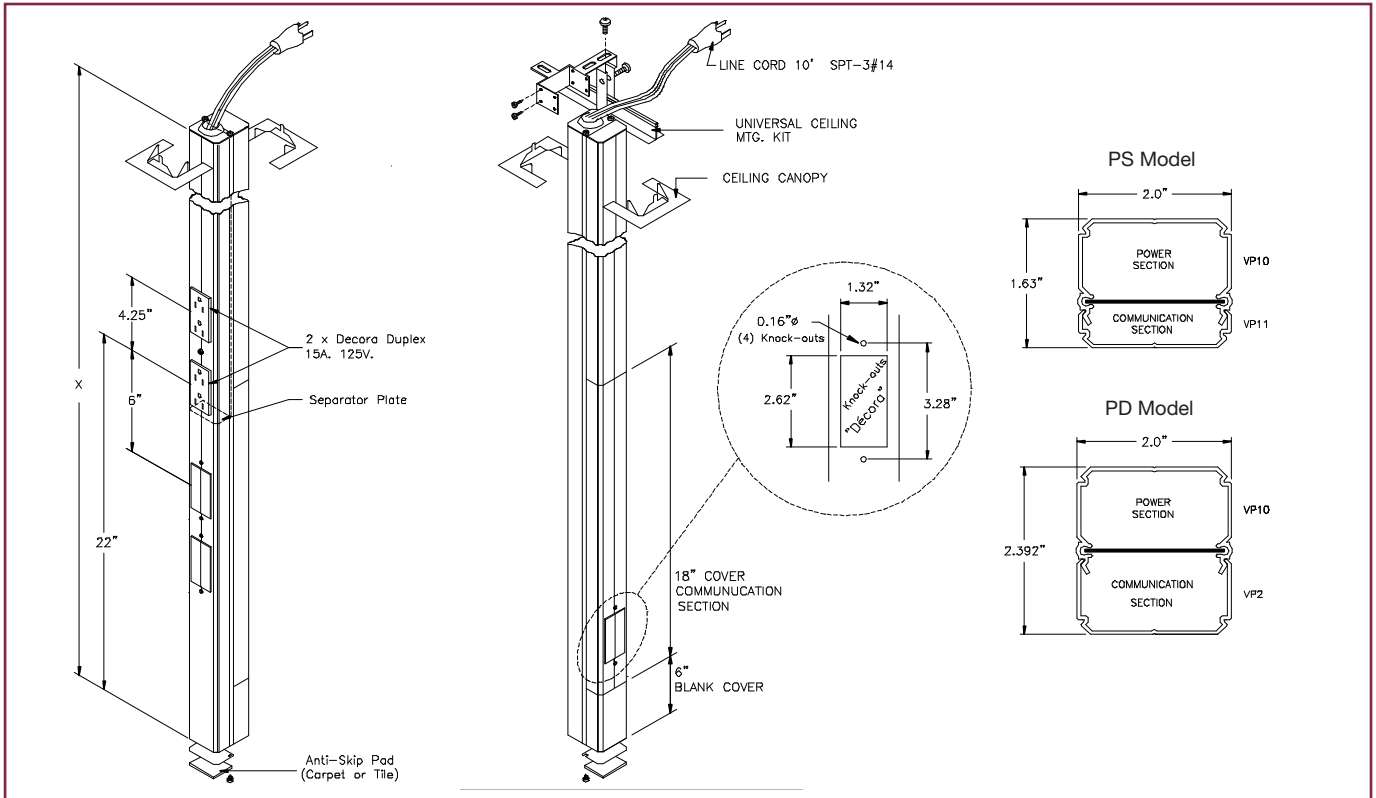
CSA does not allow use of line cord for isolated ground receptacles. A maximum of 2-IG receptacles per circuit with a maximum of 2 circuits-4 duplex receptacles allowed for isolated ground.

Project / Location		Date
Contractor	Prepared by	
LUMACELL Model		



FLEXPOLE PS & PD SERIES

Dimensions



Ordering Information

Series	Pole Height *	Duplex	options	Branding
PS = PS series (small)	86 = 8' 6"	BP = blank pole	DUC = Dual Circuit	Blank = Lumacell product
	96 = 9' 6"	R __ = decora duplex receptacle (specify total qty) *	K __ = Extra decora KO's * (specify extra quantity)	
PD = PD series (deep)	106 = 10' 6"	BR = Barrier **	JB = Junction Box	
	11 = 11' 0"	IG __ = Isolated ground duplex receptacle (specify quantity) **	AF = Adjustable foot	
	12 = 12' 0"		W = White finish	
	146 = 14' 6"		Accessories	
		Notes: max 2 duplex per circuit max 2 circuits 15A 125V per pole	LCFP = Replacement line cord	
	* Standard grey. Other heights available	* R1 and R2 c/w line cord, R3 and R4 c/w junction box and double circuit	MKFP = Replacement mounting Kit	
		** included JB option		
			*3 decora KO's are standard except on blank pole	
			** Barrier is standard except on blank pole	

NOTE: Certain options may result in longer lead time. Consult your sales representative.

EXAMPLE: PS96BPBR= 9'6" no duplex c/w barrier
EXAMPLE: PS96R2= 9'6" c/w 2 decora duplex, 3 decora K/O

EXAMPLE: PS96R2K1= 9'6" c/w 2 decora duplex, 4 decora K/O
EXAMPLE: PS11R1= 11'0" c/w 1 decora duplex, 3 decora K/O