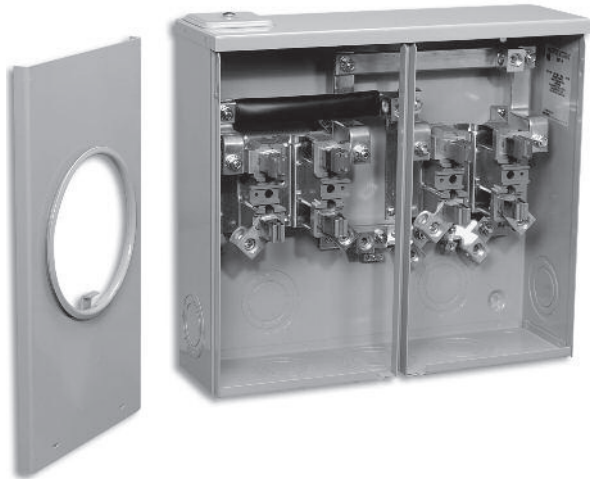


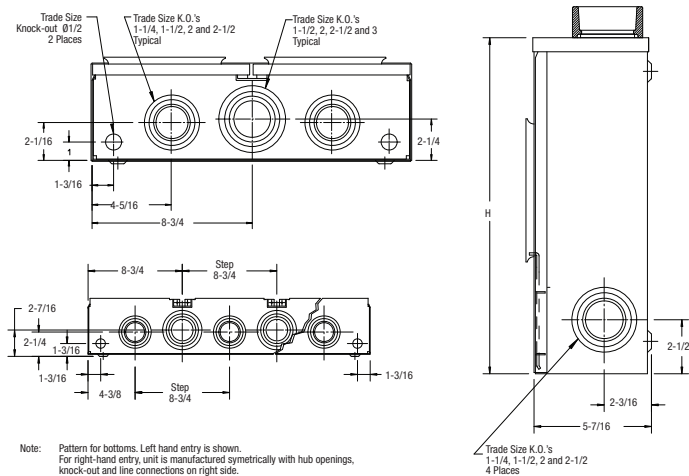
HORIZONTAL METER TROUGHS, 200 AMP. PER POSITION • 200 AMP. 600 VOLTS MAX. MAIN LUGS



Product Specifications

- Conductor range: Line: 6 AWG-250 kcmil
Load: 6 AWG-250 kcmil
- Aluminum tunnel type connectors
- Factory prebussed from main lugs to each position
- Supplied with hub opening closure plate for underground service
- Combination overhead underground
- Supplied with screw type ring
- Weatherproof Type 3R enclosure
- **Primarily used in:** All provinces

NOTE: Supply from an underground network often requires use of stud type receptacle. Consult your local utility.



Ordering Information

Dimensions are in inches

CATALOGUE NUMBER		METER POSITION	DIMENSIONS (inches)			WEIGHT EACH	
			H	W	D	lb	kg
4 JAW							
LEFT-HAND ENTRY	RIGHT-HAND ENTRY						
BD2-V	BD2-VH	2 position	15-1/2	17-1/2	5-7/16	23	10.4
BD3-V	BD3-VH	3 position	15-1/2	26-1/4	5-7/16	35	15.9
BD4-V	BD4-VH	4 position	15-1/2	35	5-7/16	47	21.3
BD2-VBC	—	2 position for British Columbia	20	17-1/2	5-7/16	27	12.2

Approved for copper or aluminum.

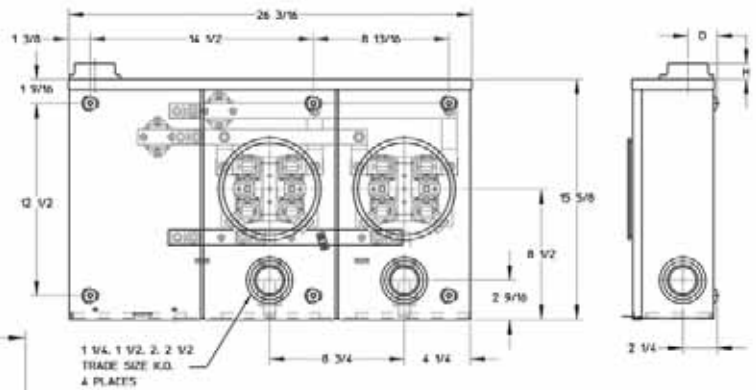
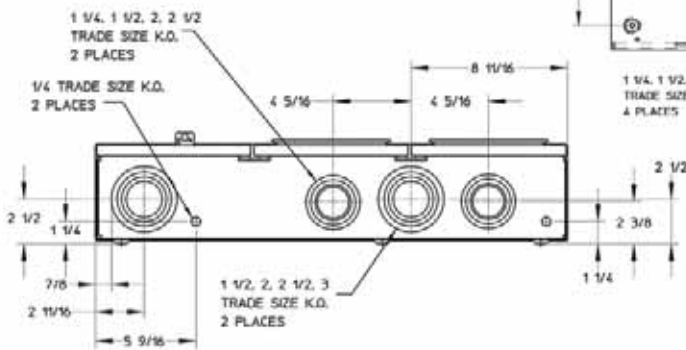
BDA2-V Series



HORIZONTAL METER TROUGHS, 200 AMP. PER POSITION • 200 AMP. 600 VOLTS MAX. MAIN LUGS

Product Specifications

- Conductor range: Line: Dual rated 6 AWG-250 kcmil
Load: 6 AWG-250 kcmil
- Aluminum tunnel type connectors (load side)
- Combination overhead and underground
- Hub opening closure plate for underground service
- Supplied with screw type ring
- Weatherproof Type 3R enclosure
- Primarily used in Ontario



Dimensions are in inches

Ordering Information

CATALOGUE NUMBER	METER POSITION	DIMENSIONS (inches)			WEIGHT EACH	
		H	W	D	lb	kg
4 JAW						
LEFT-HAND ENTRY	RIGHT-HAND ENTRY					
BDA2-V	BDA2-VH	2 position	15-5/8	26-3/16	5-1/4	31 14.6

Approved for copper or aluminum.

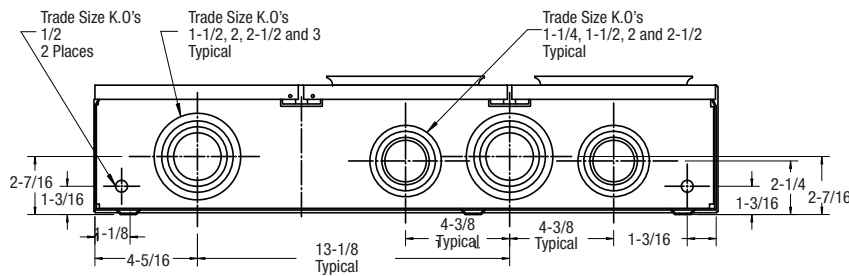
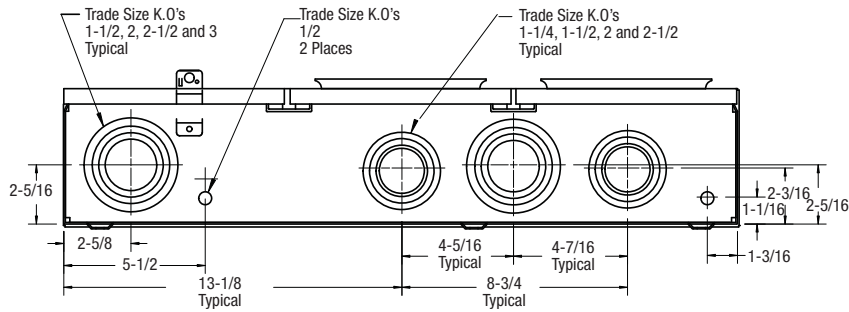
HORIZONTAL METER TROUGHS, 200 AMP. PER POSITION • 200 AMP. 600 VOLTS MAX. MAIN LUGS, STUD TYPE



Product Specifications

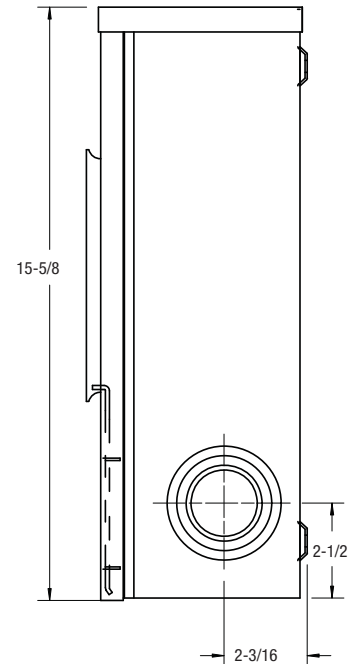
- Conductor range: Line: Single 1/2" studs to accommodate compression lugs
Load: 6 AWG-250 kcmil
- For underground service only
- Aluminum tunnel type connectors (load side)
- Factory prebussed from main lugs to each position
- Supplied with screw type ring
- Weatherproof Type 3R enclosure

Hydro-Québec and BC Hydro require that the locking system be located inside the meter through.



IL BOTTOM

Note: Pattern for bottoms. Left hand entry is shown.
For right-hand entry, unit is manufactured symmetrically with hub openings, knock-out and line connections on right side.



Dimensions are in inches

Approved for copper or aluminum.

BDC Series




HORIZONTAL METER TROUGHS, 200 AMP. PER POSITION • 200 AMP. 600 VOLTS MAX. MAIN LUGS, STUD TYPE

Ordering Information

CATALOGUE NUMBER		METER POSITION	DIMENSIONS (inches)			WEIGHT EACH	
			H	W	D	lb	kg
4 JAW (Not to be used in the provinces of Quebec and British Columbia)							
LEFT-HAND ENTRY	RIGHT-HAND ENTRY						
BDC2-V	BDC2-VH	2 position	15-5/8	26-1/4	5-1/4	30	13.6
BDC3-V	BDC3-VH	3 position	15-5/8	35	5-1/4	42	19.0
BDC4-V	BDC4-VH	4 position	15-5/8	43-3/4	5-1/4	54	24.5

CATALOGUE NUMBER		METER POSITION	DIMENSIONS (inches)			WEIGHT EACH	
			H	W	D	lb	kg
4 JAW (For usage in the provinces of Quebec and British Columbia)							
LEFT-HAND ENTRY	RIGHT-HAND ENTRY						
BDC2-VIL	BDC2-VHIL	2 position	15-5/8	26-1/4	5-1/4	30	13.6
BDC2-VAIL		2 position c/w lug	15-5/8	26-1/4	5-1/4	30	13.6
BDC3-VIL		3 position	15-5/8	35	5-1/4	42	19.0
BDC3-VAIL		3 position c/w lug	15-5/8	35	5-1/4	42	19.0
BDC4-VIL		4 position	15-5/8	43-3/4	5-1/4	54	24.5
BDC4-VAIL		4 position c/w lug	15-5/8	43-3/4	5-1/4	54	24.5

 Approved for copper or aluminum.