

Nonmetallic Covers for 665 Series Floor Boxes



665-CST-SW-BLK
Black Nonmetallic Cover



665-CST-SW-GRY
Grey Nonmetallic Cover

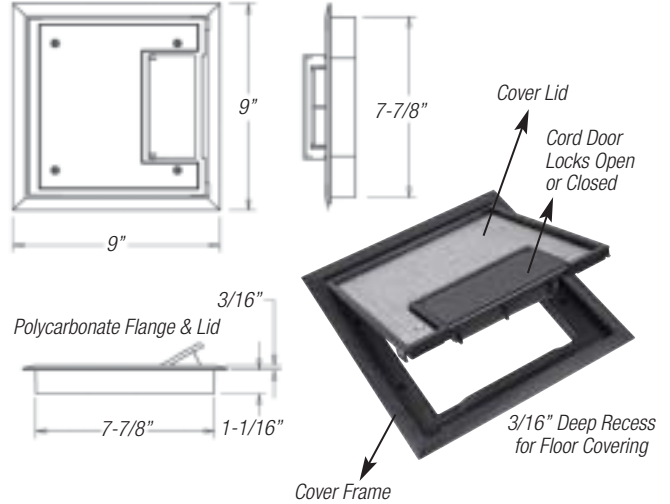


665-CST-SW-BGE
Beige Nonmetallic Cover



665-CST-SW-BRN
Brown Nonmetallic Cover

5/32" Steel Top Plate on Lid. Carpet or Tile can be glued to Top Plate



Cat. No.	Colour	Description	Std. Ctn.
665-CST-SW-BLK	Black	Nonmetallic Cover for 665 Series Floor Boxes	1
665-CST-SW-GRY	Grey		1
665-CST-SW-BGE	Beige		1
665-CST-SW-BRN	Brown		1

Material: Polycarbonate with 5/32" steel plate.
Furnished with (4) #8-32 x 5/8" mounting screws.
For color samples, contact your Regional Sales Office.

Devices Plates and Accessories for 665 Series Floor Boxes



665-RP
Duplex Plate



665-GP
GFCI Plate



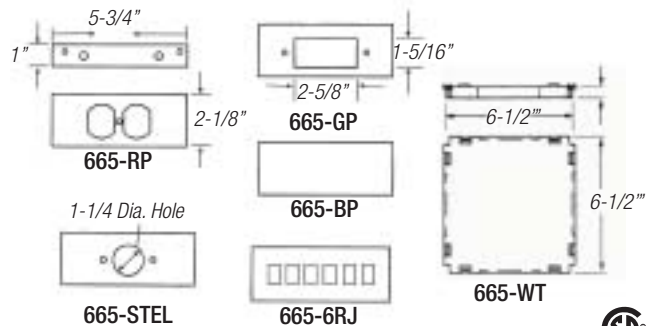
665-BP
Blank Plate



665-6RJ
Data Plate for 6
Keystone Jacks



665-WT
Wire Tunnel for 665-AV2 feeds multiple compartments from a single conduit (one included with each 665-AV2)



Cat. No.	Description	Std. Ctn.
665-RP	Duplex Plate for 665 Series	4
665-GP	GFCI Plate for 665 Series	4
665-BP	Blank Plate for 665 Series	4
665-6RJ	Data plate for 665 Series, Accepts 6 Keystone Jacks	4
665-WT	Replacement Wire Tunnel for 665-SC & 665-AV2	4
665-STEL*	Telephone/data Plate for 665	4

*CSA non applicable.
Each box requires (4) device plates. Material: Pre-galvanized steel.