

KING COBRA™

Cable and Pipe Clamp
The new specification standard
for heavy-duty industrial applications.



- **Superior design load capabilities for industrial applications:**
350 lb for 1/2"-2" trade sizes;
450 lb for 2-1/2-4" trade sizes.
 - Durable one-piece, heavy-duty steel construction – designed specifically for use in industrial applications.
 - Embosses on shoulder and hooks increase loading capability and durability, preventing deformation of clamps.
 - Rugged stirrup provides increased strength for heavier loads, minimizing deflection.
 - Wider saddle design with anti-rotation tabs distributes load evenly over a larger surface area, preventing jacket damage.
- **Increased corrosion protection* — GoldGalv® (yellow zinc dichromate) finish stands up to harsh industrial applications.**
* Over conventional electrogalvanization.
- **Parallel hook design keeps conduit and cable square with strut.**
- **Heavy-duty 5/16" hex bolt.**
- **One size clamp works on equal trade sizes for both EMT and rigid conduit, simplifying clamp specification.**

Engineered by Thomas & Betts for North American industrial applications



Reconfigure wiring without complete disassembly. Remove one clamp without disturbing neighbouring clamps.

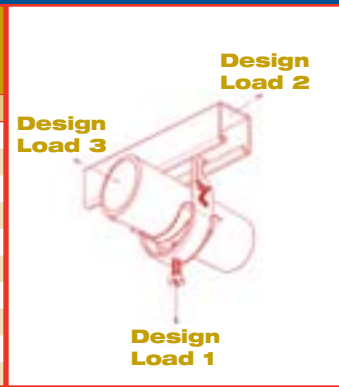


Attaches a full range of EMT, rigid conduit and cable to strut channels.



Multi-driver combination bolt head accepts a wrench, screwdriver or nut driver.

Catalogue No.	Design Load 1	Design Load 2	Design Load 3
	Static Load Limit lb (kg)	lb (kg)	lb (kg)
	Safety Factor= 4	Safety Factor= 1	
KCPC050	350 (159)	50 (23)	50 (23)
KCPC075	350 (159)	50 (23)	50 (23)
KCPC100	350 (159)	50 (23)	50 (23)
KCPC125	350 (159)	50 (23)	50 (23)
KCPC150	350 (159)	50 (23)	50 (23)
KCPC200	350 (159)	50 (23)	50 (23)
KCPC250	450 (204)	50 (23)	50 (23)
KCPC300	450 (204)	50 (23)	50 (23)
KCPC350	450 (204)	50 (23)	50 (23)
KCPC400	450 (204)	50 (23)	50 (23)



ORDERING INFORMATION

Catalogue No.	For EMT Trade Size	For Rigid Conduit Trade Size	Cable O.D. Range (in.)	Quantity per Box
KCPC050	1/2	1/2	0.650 - 0.890	100
KCPC075	3/4	3/4	0.860 - 1.110	100
KCPC100	1	1	1.100 - 1.400	100
KCPC125	1 1/4	1 1/4	1.400 - 1.725	50
KCPC150	1 1/2	1 1/2	1.690 - 1.980	50
KCPC200	2	2	1.980 - 2.576	50
KCPC250	2 1/2	2 1/2	2.576 - 3.060	25
KCPC300	3	3	3.060 - 3.626	25
KCPC350	3 1/2	3 1/2	3.626 - 4.126	25
KCPC400	4	4	4.126 - 4.626	25

Standard material is industrial-grade, GoldGalv® plated steel. Stainless steel 316L is also available; add the suffix "SS6" to catalogue no. (i.e. KCPC050SS6). Stainless steel bolt head has a hexagonal slotted head.

REGIONAL SALES OFFICES

www.tnb-canada.com

- Atlantic Region

Thomas & Betts Limited
106 Chain Lake Drive, Unit 2C
Halifax, Nova Scotia B3S 1A8
Tel.: (902) 450-1307
Toll Free: 1-877-862-4357
Fax: (902) 450-1309

- Quebec Region

Thomas & Betts Limited
7900 Taschereau Boulevard
Building D, Suite 108
Brossard, Quebec J4X 1C2
Tel.: (450) 466-1102
Toll Free: 1-800-465-1399
Fax: (450) 466-1163

- Ontario Region

Thomas & Betts Limited
2233 Argentia Road, Suite 116
Mississauga, Ontario L5N 2X7
Tel.: (905) 858-1010
Toll Free: 1-877-291-7771
Fax: (905) 858-1080

- Western Region

Thomas & Betts Limited
6531-148th Street, #1
Surrey, British Columbia
V3S 3C5
Tel.: (604) 598-9811
Toll Free: 1-866-540-8220
Fax: (604) 598-9840

Thomas & Betts Limited
4836 Eleniak Road
Edmonton, Alberta T6B 2S1
Tel.: (780) 424-7092
Toll Free: 1-888-664-5666
Fax: (780) 424-7093
Toll Free: 1-866-424-4082