

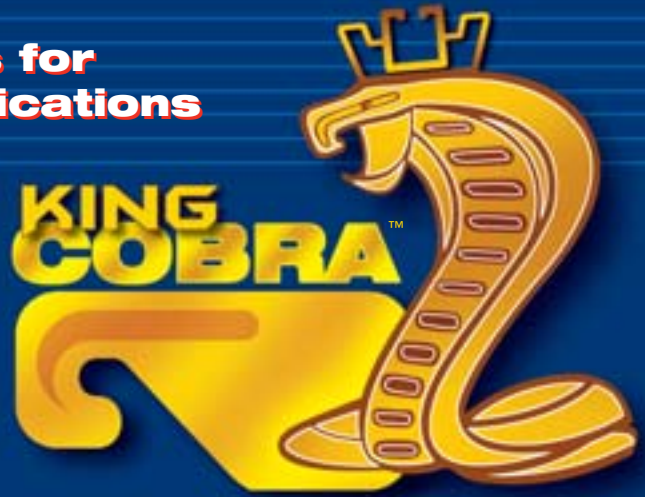
# KING COBRA™

**Cable and Pipe Clamp**  
The new specification standard  
for heavy-duty industrial applications.



- **Superior design load capabilities for industrial applications:**  
**350 lb for 1/2"-2" trade sizes;**  
**450 lb for 2-1/2-4" trade sizes.**
  - Durable one-piece, heavy-duty steel construction – designed specifically for use in industrial applications.
  - Embosses on shoulder and hooks increase loading capability and durability, preventing deformation of clamps.
  - Rugged stirrup provides increased strength for heavier loads, minimizing deflection.
  - Wider saddle design with anti-rotation tabs distributes load evenly over a larger surface area, preventing jacket damage.
- **Increased corrosion protection\* — GoldGalv® (yellow zinc dichromate) finish stands up to harsh industrial applications.**  
\* Over conventional electrogalvanization.
- **Parallel hook design keeps conduit and cable square with strut.**
- **Heavy-duty 5/16" hex bolt.**
- **One size clamp works on equal trade sizes for both EMT and rigid conduit, simplifying clamp specification.**

# Engineered by Thomas & Betts for North American industrial applications



Reconfigure wiring without complete disassembly. Remove one clamp without disturbing neighbouring clamps.

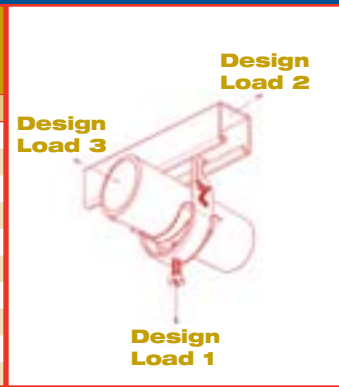


Attaches a full range of EMT, rigid conduit and cable to strut channels.



Multi-driver combination bolt head accepts a wrench, screwdriver or nut driver.

Catalogue No.	Design Load 1	Design Load 2	Design Load 3
	Static Load Limit lb (kg)	lb (kg)	lb (kg)
	Safety Factor= 4	Safety Factor= 1	
KCPC050	350 (159)	50 (23)	50 (23)
KCPC075	350 (159)	50 (23)	50 (23)
KCPC100	350 (159)	50 (23)	50 (23)
KCPC125	350 (159)	50 (23)	50 (23)
KCPC150	350 (159)	50 (23)	50 (23)
KCPC200	350 (159)	50 (23)	50 (23)
KCPC250	450 (204)	50 (23)	50 (23)
KCPC300	450 (204)	50 (23)	50 (23)
KCPC350	450 (204)	50 (23)	50 (23)
KCPC400	450 (204)	50 (23)	50 (23)



## ORDERING INFORMATION

Catalogue No.	For EMT Trade Size	For Rigid Conduit Trade Size	Cable O.D. Range (in.)	Quantity per Box
KCPC050	1/2	1/2	0.650 - 0.890	100
KCPC075	3/4	3/4	0.860 - 1.110	100
KCPC100	1	1	1.100 - 1.400	100
KCPC125	1 1/4	1 1/4	1.400 - 1.725	50
KCPC150	1 1/2	1 1/2	1.690 - 1.980	50
KCPC200	2	2	1.980 - 2.576	50
KCPC250	2 1/2	2 1/2	2.576 - 3.060	25
KCPC300	3	3	3.060 - 3.626	25
KCPC350	3 1/2	3 1/2	3.626 - 4.126	25
KCPC400	4	4	4.126 - 4.626	25

Standard material is industrial-grade, GoldGalv® plated steel. Stainless steel 316L is also available; add the suffix "SS6" to catalogue no. (i.e. KCPC050SS6). Stainless steel bolt head has a hexagonal slotted head.

## REGIONAL SALES OFFICES

www.tnb-canada.com

### - Atlantic Region

Thomas & Betts Limited  
106 Chain Lake Drive, Unit 2C  
Halifax, Nova Scotia B3S 1A8  
Tel.: (902) 450-1307  
Toll Free: 1-877-862-4357  
Fax: (902) 450-1309

### - Quebec Region

Thomas & Betts Limited  
7900 Taschereau Boulevard  
Building D, Suite 108  
Brossard, Quebec J4X 1C2  
Tel.: (450) 466-1102  
Toll Free: 1-800-465-1399  
Fax: (450) 466-1163

### - Ontario Region

Thomas & Betts Limited  
2233 Argentia Road, Suite 116  
Mississauga, Ontario L5N 2X7  
Tel.: (905) 858-1010  
Toll Free: 1-877-291-7771  
Fax: (905) 858-1080

### - Western Region

Thomas & Betts Limited  
6531-148<sup>th</sup> Street, #1  
Surrey, British Columbia  
V3S 3C5  
Tel.: (604) 598-9811  
Toll Free: 1-866-540-8220  
Fax: (604) 598-9840

Thomas & Betts Limited  
4836 Eleniak Road  
Edmonton, Alberta T6B 2S1  
Tel.: (780) 424-7092  
Toll Free: 1-888-664-5666  
Fax: (780) 424-7093  
Toll Free: 1-866-424-4082