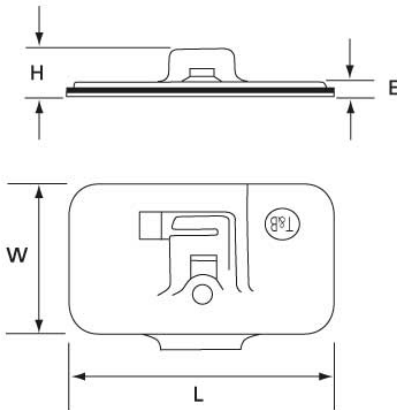




Ty-Rap®

T&B Catalog Number:
UPC Number:
Description:

TC5353A
 78621083063
 Cable Tie Snap-in Tie Mounting Base 1x2"
 Natural Nylon 6.6 Adhesive/Screw Mounting- #6 Screw For Use with Cable Ties Up to 50 lbs.
Status: Active



Features

- Easy to install. Slide the Ty-Rap into the mounting base prior to installation.

General

-Material	Nylon 6.6
-Color	Natural
-Mounting Method	Adhesive/Screw
-Stud Size	#6 Screw
-Max Tie Width Accepted	.19
-For Cable Ties	Up to 50 lbs.

Dimension Information

-Length (inches)	2.00
-Width (inches)	1.00

Specifications

-Temperature Rating	-40°F to 185°F
-Flammability Rating	UL 94 V-2

Packaging

-T&B Order Multiple	25
-T&B Inner Pack	25
-Package in Units	250
-Package Type	Regular
-T&B Sold in UOM	Each
-T&B Weight Per UOM	1.1 lbs. per 100

Application Support

-Material Selection Guide	Available on Website
---------------------------	----------------------

Certifications

-RoHS Compliance	Yes
------------------	-----

For further technical assistance, please contact us...

Thomas & Betts - USA
 8155 T&B Blvd.
 Memphis, TN 38125
 www.tnb.com

T&B Technical Support
 MS 3B-50
 8155 T&B Blvd.
 Memphis, TN 38125

Hours: 7AM - 6PM CDT
 Monday-Friday
 Phone: (888) 862-3289
 Fax: (901) 252-1321
 Email: techsupport@tnb.com