

Project/Location: _____

Contractor: _____

Date: _____

Prepared by: _____

Lumacell Model: _____

RS22 Series

Compact Emergency Lighting



FEATURES

- PAR 36, recess mounted fixtures with gimbal ring
- Durable thermoplastic trim ring standard; metal trim available as an option
- Gimbal ring adjustable on two planes to 45°
- No extra housing needed
- CSA certified to C22.2 No. 141.



WIRE GUARDS

460.0033-L	Wall or ceiling mount
------------	-----------------------

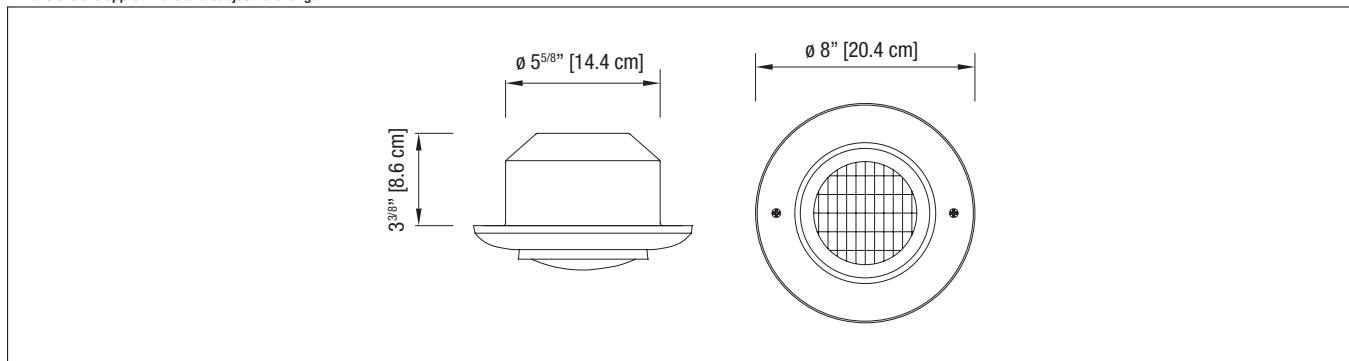
REPLACEMENT LAMPS

MODEL	LAMP TYPE	VOLTAGE/WATTAGE
570.0016-L	Tungsten	6V-9W
570.0025-L	Tungsten	12V-9W
570.0045-L	Tungsten	24V-9W

See the complete list pages 144 to 146

DIMENSIONS

Dimensions are approximate and subject to change.



ORDERING INFORMATION

SERIES	VOLTAGE/ WATTAGE/ LAMP TYPE	COLOUR	OPTIONS
RS22 – PAR 36 recessed with plastic trim	6V9W = 6V-9W, tungsten, wedge base 6V__W = 6V-18 or 25W, tungsten, DCB 12V__W = 12V-9 or 18W, tungstène, wedge base 24V__W = 24V-9 or 18W, tungsten, wedge base 24V25W = 24V-25W, tungsten, DCB Q6V__W = 6V-8, 12 or 20W, halogen, quartz bi-pin Q12V__W = 12V-8, 12, 20 or *55W, halogen, quartz bi-pin Q24V__W = 24V-20 or *70W, halogen, quartz bi-pin QSB6V__W = 6V-8, 12 or 20W, halogen, quartz sealed beam QSB12V__W = 12V-8 or 37W, halogen, quartz sealed beam SB6V__W = 6V-9, 12, 18 or 25W, tungsten, sealed beam SB12V__W = 12 V-12, 18 or 25W, tungsten, sealed beam 32V__W = 32V-18 or 25W, tungsten, DCB 120V__W = 120V-10, 15W, tungsten, DCB Q120V35W = 120V-35W, halogen, DCB Q120V50W = 120V-50W, halogen, DCB*	Blank = factory white BK = black	M = metal trim
<small>*Available with metal trim only. NOTE : “__” insert wattage required Other types available, consult your sales representative</small>			

EXAMPLE: RS226V9W