

LOCKTITE® Connectors — Code Copper Conductor (for 600V)

All the outstanding LOCKTITE® lug features — plus two-bolt capacity.

One-Hole 90° Upright Lugs

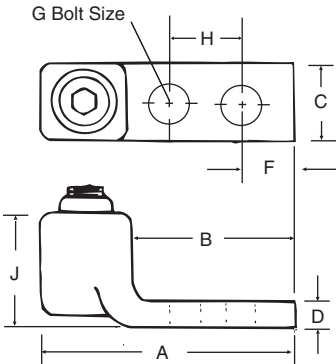


CAT. NO.	CABLE SIZE	DIMENSIONS (IN.)						
		G	A	B	C	D	J	F
31005-UAL ¹	8 to 4	¼	1½	¾	½	¾	½	¾
31007-UAL	4 to 1	¼	1 ²⁵ / ₃₂	¹³ / ₁₆	¾	⁷ / ₃₂	¹³ / ₁₆	¹¹ / ₃₂
31009-UAL	1 to 2/0	¾	2 ¹ / ₂	1	¹³ / ₁₆	¼	¹⁵ / ₁₆	⁷ / ₁₆
31011-UAL	2/0 to 4/0	¾	2½	1¼	1	¾	1½	¹ / ₂

¹With Filister Head Screw. All others, hex head screws.
Bolt holes and spacings listed are standard, but lugs with blank tongues can be furnished.

Two-Hole Lugs

- Easy installation
- High conductivity
- Wide cable range
- Long tongue adapted for 2 bolts

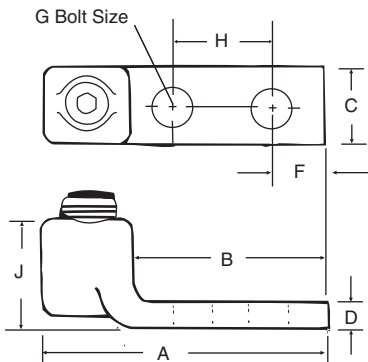


CAT. NO.	CABLE SIZE	DIMENSIONS (IN.)							
		G	A	B	C	D	J	F	H
32003 [†]	14 to 8	¼	1 ¹ / ₁₆	1¼	½	¾	¹⁵ / ₃₂	¾	¾
32005 [†]	8 to 4	¼	1¾	1¼	½	¾	¹⁷ / ₃₂	¾	¾
32007	4 to 1	¼	2¼	1 ¹ / ₁₆	¾	⁷ / ₃₂	¾	¾	¾
32009	1 to 2/0	¾	2¾	1 ¹⁵ / ₁₆	¹³ / ₁₆	¼	¹³ / ₃₂	⁷ / ₁₆	1
32011	2/0 to 4/0	¾	3¼	2	1	¾	¹⁵ / ₁₆	⁷ / ₁₆	1
32013	4/0 to 300	¾	3¾	2½	1 ¹ / ₁₆	¾	1 ¹ / ₁₆	⁷ / ₁₆	1
32015	300 to 500	¾	3½	2½	1¾	¹¹ / ₃₂	1 ²⁷ / ₃₂	⁷ / ₁₆	1
32017	500 to 750	¾	4 ¹ / ₂	3	1¼	¹ / ₂	2¾	¾	1½
32019	750 to 1,000	¾	4 ³ / ₂	3	1½	¹ / ₂	2 ¹ / ₂	¾	1½

[†]With Filister Head Screw. All others, hex head screws.
For torque requirements, see [page C-49](#).

Two-Hole NEMA-Drilled Lugs

- Furnished with bolt holes and spacings to fit equipment with NEMA-type connector mounting pads



CAT. NO.	CABLE SIZE	DIMENSIONS (IN.)							
		G	A	B	C	D	J	F	H
32207	4 to 1	¾	2 ¹ / ₁₆	2	¾	⁷ / ₃₂	¾	⁷ / ₁₆	1
32209	1 to 2/0	¾	3 ¹⁵ / ₁₆	3	1	¼	¹¹ / ₁₆	¾	1¾
32211	2/0 to 4/0	¾	4¾	3	1	¾	1 ¹ / ₂	¾	1¾
32213	4/0 to 300	¾	4 ⁷ / ₁₆	3	1 ¹ / ₁₆	¾	1 ¹⁵ / ₃₂	¾	1¾
32215	300 to 500	¾	4¾	3½	1¾	¹¹ / ₃₂	1 ¹ / ₁₆	¾	1¾
32217	500 to 750	¾	5 ³ / ₂	3¾	1¾	¹ / ₂	2¾	¾	1¾
32219	750 to 1,000	¾	5¼	3¾	3	¹ / ₂	2¾	¾	1¾

For torque requirements, see [page C-49](#).