

### 3-Gang Recessed Plate



The New Carlon RDV 3-Gang Old Work Plate, Cat. No. CSC300PR, has been developed to simplify today's in-home entertainment/networking needs. The box is designed to accommodate the wires, cables and cords used with flat panel display installations.

It features a two-gang low voltage opening and a one-gang opening complete with device box (devices and plates not included).

The hi-gloss, recessed design eliminates unsightly wires, cables and cords and blends with any décor. The RDV Old Work Plate makes installing flat panel displays faster and easier!



# 3-Gang Recessed Plate

# Carlton®

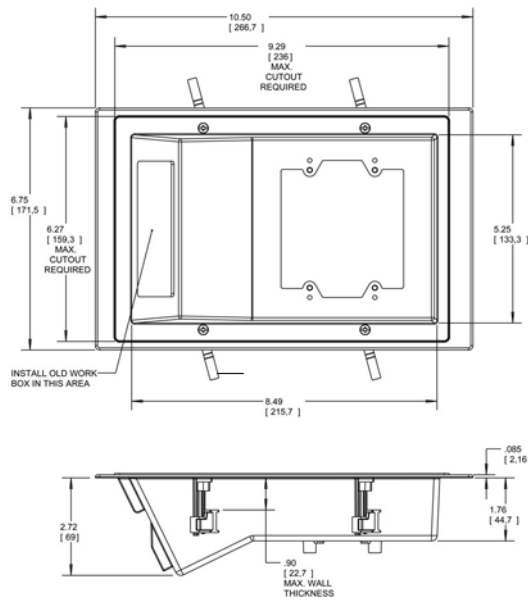
## 3-Gang Recessed Plate

### Features

- 3-Gang dual service capability: Accommodates (1) high and (2) low voltage services using one plate (boxes, devices and plates not included)
- Recessed low profile design: Eliminates unsightly wires and plug heads
- Universal 1-gang outlet / switch opening: Including the box you need
- Pre-assembled box and frame: Reduces labor time and saves money
- Shallow design: Provides ample room behind the dry wall and between the studs and accommodates cable bend requirements
- 4 Swing out clamps: Locks the plate securely to the wall – horizontal or vertical mount
- Superior hi-gloss, paintable finish: Professional appearance. Blends with any décor
- Non-metallic, ABS material: Lightweight and easy to handle

### Specifications

Cat. No.	Description	Std Carton Qty	Std Carton Wt. (lb)
CSC300PR	RDV 3-Gang Old Work Plate with Outlet Box	6	4.84



### Installed



Low voltage devices and receptacle not included



Top view showing ample room between drywall and studs