

Type: _____
 Project/Location: _____
 Contractor: _____
 Prepared By: _____
 Date: _____
 Model No.: _____

LCSR Series

Dedicated Indoor LED Remote

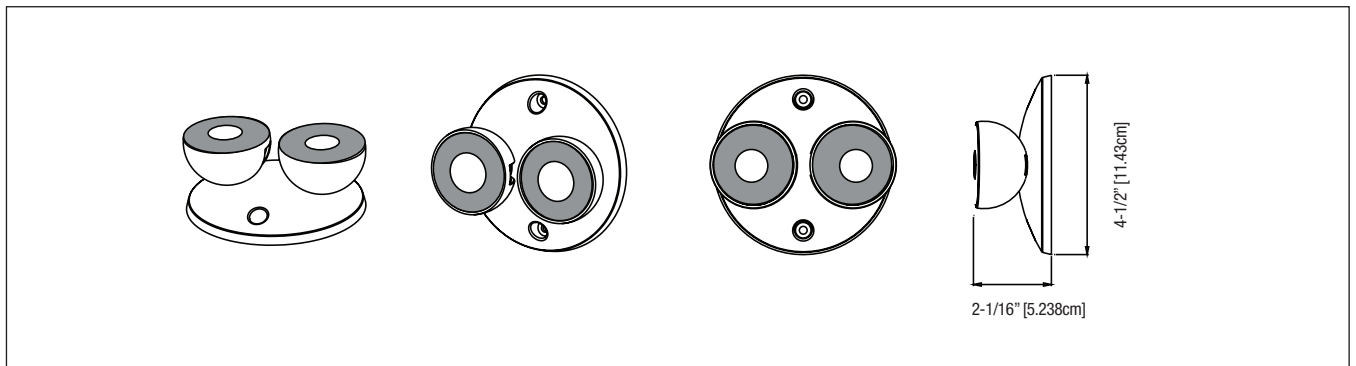


FEATURES

- Fully adjustable LED glare-free lens
- 3.6V 1W long life LED light source, 6000K
- Injection-molded off-white thermoplastic ABS housing
- Ceiling or wall mount installation
- To mount to any standard 4" junction box
- To be used only with LCSB battery unit
- Comes standard with one (1) year warranty

DIMENSIONS

Dimensions are approximate and subject to change.



ORDERING INFORMATION

SERIES	NUMBER OF HEADS	LAMP TYPE/WATTAGE	COLOR
LCSR	D= 2	Blank= 1W LED	Blank= White

EXAMPLE: LCSR D