



PHANTOM™ Series

The unseen solution, an architect's dream

Type: _____
 Project/Location: _____
 Contractor: _____
 Prepared By: _____
 Date: _____
 Model No.: _____

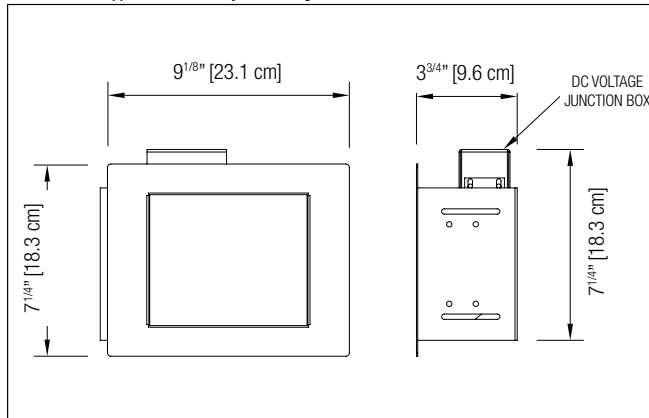
FEATURES

- Fully automatic operation: the unit door opens upon supply with DC voltage from battery and closes after the voltage disconnect
- DC input: 12VDC or 24VDC;
- AC line voltage is NOT required
- Emergency lights: two high-efficacy MR16 halogen lamps; power range: 2x12 ... 2x50W
- Installation: finished dry-wall or uninsulated ceiling (after the dry-wall put-in)
- Accessories: include electrical junction box and "U"-shape bracket for concealed installation
- Options: hardware kit for T-Bar mounting 12V; high-lumen output lamps (20, 35 and 50W)
- Certification: CSA C22.2 No 141.



DIMENSIONS

Dimensions are approximate and subject to change.



WIRE GUARDS

460.0082-L	Wall Mount
------------	------------

ORDERING INFORMATION

SERIES	VOLTAGE	LAMP WATTAGE	OPTIONS
PHAR= DC remote fixture (no AC voltage required)	12V= 12VDC remote* 24V= 24VDC remote**	LD7= 2x MR16 LED, 12V-4W LD9= 2x MR16 LED, 12V-5W LD10= 2x MR16 LED, 12V-6W LD13= 2x MR16 LED, 24V-4W LD14= 2x MR16 LED, 24V-6W 12W= 2x MR16, 12W 20W= 2x MR16, 20W 35W= 2x MR16, 35W 50W= 2x MR16, 50W 20WH= 2x MR16-IR, 12V-20W high output 35WH= 2x MR16-IR, 12V-35W high output 50WH= 2x MR16-IR, 12V-50W high output	TB= T-Bar mounting kit

* The remote fixture is compatible with all Phantom battery units.
 ** 12V-24V battery unit must include the time delay function and exclude diagnostic to close door: consult factory for details.

EXAMPLE: PHAR12V12WTB

TYPICAL SPECIFICATIONS

Supply and install Lumacell® Phantom™ Series of remote fixture: The unit shall be designed to be concealed in walls or ceilings with a cavity. The unit equipment shall be completely concealed in the wall or ceiling in the absence of remote power. Upon DC power supply the unit will rotate its door by 180° to expose the emergency lamps and then will power them. After the DC power disconnect the lamps will turn off and the unit will conceal the heads in the wall (ceiling) by rotating the door by 180°. The DC-remote unit shall not require the presence of AC power in order to open or close the door.

Under normal conditions, the only visible parts of the unit shall be the off-white flat door and trim plate, that can be customized on site with paint or other suitable wall covering. The light source shall be MR16 halogen lamps of specified wattage and light output.


The remote unit shall be the Lumacell® model: PHAR _____.

REPLACEMENT LAMPS: MR16

MODEL	VOLTAGE/WATTAGE
580.0080-L	12V-12W
580.0064-L	12V-20W
580.0083-L	12V-35W
580.0076-L	12V-50W
580.0068-L	12V-20W high output
580.0090-L	12V-35W high output
580.0089-L	12V-50W high output
580.0084-L	24V-35W
580.0070-L	24V-12W
580.0077-L	24V-20W
580.0078-L	24V-50W
580.0093-L	12V-4W LED
580.0098-L	24V-4W LED
580.0100-L	24V-6W LED
580.0104-L	12V-5W LED
580.0106-L	12V-6W LED

See the complete list p.144 to 146.

IN THE SAME FAMILY:

 - Phantom™ Series Battery Unit
p. 92