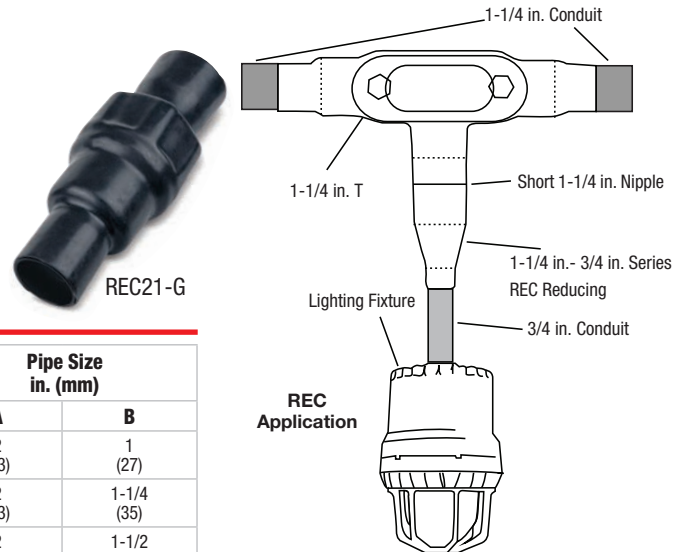


Ordinary Location Fittings

Easily Join Two Different Sizes of Conduit!

OCAL-BLUE™ Double-Coat Reducing Couplings

- Integral bushings in both ends prevent damage to wires
- Funnel-shaped interior guides wires from large to small conduit, making them easier to pull
- Nominal 0.002 in. (2 mils) blue urethane coating on both interior and exterior
- Nominal 0.040 in. (40 mils) PVC coating bonded to exterior
- Pressure-sealing sleeves protect connections



| Cat. No. | Pipe Size in. (mm) | |
|----------|--------------------|---------------|
| | A | B |
| REC21- | 3/4 (21) | 1/2 (16) |
| REC31- | 1 (27) | 1/2 (16) |
| REC32- | 1 (27) | 3/4 (21) |
| REC42- | 1-1/4 (35) | 3/4 (21) |
| REC43- | 1-1/4 (35) | 1 (27) |
| REC52- | 1-1/2 (41) | 3/4 (21) |
| REC53- | 1-1/2 (41) | 1 (27) |
| REC54- | 1-1/2 (41) | 1-1/4 (35) |
| REC602- | 2 (53) | 3/4 (21) |

| Cat. No. | Pipe Size in. (mm) | |
|-----------|--------------------|---------------|
| | A | B |
| REC603- | 2 (53) | 1 (27) |
| REC604- | 2 (53) | 1-1/4 (35) |
| REC605- | 2 (53) | 1-1/2 (41) |
| REC75- | 2-1/2 (63) | 1-1/2 (41) |
| REC86- | 3 (78) | 2 (53) |
| REC97- | 3-1/2 (91) | 2-1/2 (63) |
| REC108- | 4 (103) | 3 (78) |
| REC01210- | 5 (129) | 4 (103) |

Metric size designator (ANSI C80.1-1994).

| Cat. No. | Material | Colour |
|----------|---------------|---------------------------------|
| REC21- | SA = Aluminum | - = space for colour identifier |
| | | G = Grey |
| | | W = White |
| | | B = Blue |

Custom colours also available - Std. min. quantities are required. Please contact your Regional Sales Office.

Reduce a Conduit Hub to a Smaller Size

OCAL-BLUE™ Urethane-Coated Reducing Bushings

| Cat. No. | Pipe Size in. (mm) | |
|----------|--------------------|-------------|
| | A - Male | B - Female |
| RE21-G | 3/4 (21) | 1/2 (16) |
| RE31-G | 1 (27) | 1/2 (16) |
| RE32-G | 1 (27) | 3/4 (21) |
| RE41-G | 1-1/4 (35) | 1/2 (16) |
| RE42-G | 1-1/4 (35) | 3/4 (21) |
| RE43-G | 1-1/4 (35) | 1 (27) |
| RE51-G | 1-1/2 (41) | 1/2 (16) |
| RE52-G | 1-1/2 (41) | 3/4 (21) |

| Cat. No. | Pipe Size in. (mm) | |
|----------|--------------------|---------------|
| | A - Male | B - Female |
| RE53-G | 1-1/2 (41) | 1 (27) |
| RE54-G | 1-1/2 (41) | 1-1/4 (35) |
| RE61-G | 2 (53) | 1/2 (16) |
| RE62-G | 2 (53) | 3/4 (21) |
| RE63-G | 2 (53) | 1 (27) |
| RE64-G | 2 (53) | 1-1/4 (35) |
| RE65-G | 2 (53) | 1-1/2 (41) |
| RE73-G | 2-1/2 (63) | 1 (27) |

| Cat. No. | Pipe Size in. (mm) | |
|----------|--------------------|---------------|
| | A - Male | B - Female |
| RE74-G | 2-1/2 (63) | 1-1/4 (35) |
| RE75-G | 2-1/2 (63) | 1-1/2 (41) |
| RE76-G | 2-1/2 (63) | 2 (53) |
| RE83-G | 3 (78) | 1 (27) |
| RE84-G | 3 (78) | 1-1/4 (35) |
| RE85-G | 3 (78) | 1-1/2 (41) |
| RE86-G | 3 (78) | 2 (53) |
| RE87-G | 3 (78) | 2-1/2 (63) |



RE32-G

| Cat. No. | Pipe Size in. (mm) | |
|----------|--------------------|---------------|
| | A - Male | B - Female |
| RE96-G | 3-1/2 (91) | 2 (53) |
| RE97-G | 3-1/2 (91) | 2-1/2 (63) |
| RE98-G | 3-1/2 (91) | 3 (78) |
| RE106-G | 4 (103) | 2 (53) |
| RE107-G | 4 (103) | 2-1/2 (63) |
| RE108-G | 4 (103) | 3 (78) |

Metric size designator (ANSI C80.1-1994).

Also available in Aluminum (SA).