



Mini-Inverter Series

Interruptible Unit Equipment

Project/Location: _____

Contractor: _____

Date: _____

Prepared by: _____

Lumacell Model: _____

The **Mini-Inverter** is a cUL Listed stand-alone pure sine wave output inverter designed to provide power to designated emergency lighting fixtures. In a power loss situation, it will supply power from the onboard battery supply.

The **Mini-Inverter** works in conjunction with incandescent, LED, and fluorescent fixture types and will automatically run switched, normally-on, or normally-off designated emergency fixtures.

The **Mini-Inverter** is ideal for applications requiring an emergency source for lighting arrangements that utilize multiple lamp and fixture types and is available in surface mount and comes with a one year warranty and nine-year pro-rata battery warranty.

FEATURES

- Lamps operated: Incandescent LED, fluorescent lamps and ballast combinations, including TRIAC dimmable ballasts (consult your sales representative for 0-10V or DALI dimming)
- Components: High-efficiency pure sine wave inverter
- Temperature-compensated charger 12V oversized Valve Regulated lead acid (VRLA) battery
- Construction: 14-gauge steel housing
- Emergency lighting supplied from one convenient, reliable source
- Input/Output voltage 120/120V 60Hz
- Replaceable output fuse protection
- Valve Regulated Lead Acid (VRLA) battery provides long-life and is maintenance free
- Line voltage allows for remote mounting of emergency fixtures at distances up to 1000 feet
- Low Battery Voltage Disconnect
- Unit comes standard with electronic lockout and brownout circuits
- Meets or exceeds all National Electrical Code and Life Safety Code Emergency Lighting Requirements.
- Cabinet in factory white powder-coat paint finish
- **May accept load to it's full capacity when load feature power factor of 0.9 or more**
- Non audible auto-test is standard. Nexus® system interface available with an improved minimum lost load detection of 10%
- Meets or exceeds the requirements of CSA 141-10

TYPICAL SPECIFICATIONS

Emergency lighting shall be provided by inverter unit equipment designed to operate designated incandescent, fluorescent and LED fixtures on emergency power at their full nominal lumen rating during the full 30 minutes emergency discharge cycle. System output will be rated at _____ watts for 30 minutes and provide fused output connections to the load. The system's voltage rating shall be 120 VAC input/output.

The inverter unit shall allow for connected emergency fixture(s) to be normally on, normally off, switched or dimmed (TRIAC) without affecting lamp operation during a power failure. Upon utility power loss, the inverter unit shall deliver 100% of its rated output to the emergency fixtures regardless of the local switch or dimmer position, and will provide power to emergency fixtures at distances of up to 1000 feet. The housing shall be manufactured using 14-gauge steel with a white baked-on powder coat paint finish.

The unit's electronics shall include a self-contained inverter section with a fully automatic, thermal-compensating variable-rate battery charger, AC lockout feature, low battery voltage disconnect, overload, short circuit and brownout protection as standard. The unit shall utilize a sealed lead acid battery with a 10-year design life. The inverter system shall be UL 924 Listed and labeled. The unit shall be covered under a 1-year warranty on the electronics and battery and a 9-year pro-rata warranty on the battery. It shall meet or exceed the requirements of CSA 141-10.

SPECIFICATIONS

TRANSFER TIME: less than 1 second
VOLTAGE REGULATION ON EMERGENCY: +/- 3%
FREQUENCY REGULATION ON EMERGENCY: 60 Hz +/- 1%
LOAD POWER FACTOR RANGE: 0.9 leading to 0.9 lagging
OPERATING TEMPERATURE: 20° TO 30°C (68° TO 86°F)

WARRANTY

All Lumacell® inverter products receive 100% quality inspection before shipment to insure proper and satisfactory operation. When operated under normal conditions, Lumacell® inverter products will provide years of dependable service. This unit is backed by a 1/9 year warranty. The unit is covered by a complete 1-year warranty against defects in material or workmanship, and a 9-year prorata battery warranty.

The inverter unit shall be Lumacell® model: _____.



ELECTRICAL CHARACTERISTICS & DIMENSIONS

POWER RATING	MAX INPUT RATING	SINE WAVE	INSTALLATION	CABINET DIMENSIONS			NO. OF BATTERY	WEIGHT	WEIGHT W/O BATTERY
	120VAC			W"	H"	D"		120V	120V
1000W	9.23	Pure	Wall	24"	14.5"	20"	2	137 lbs	59 lbs
1440W	12.90	Pure	Wall	24"	14.5"	20"	2	184 lbs	71 lbs

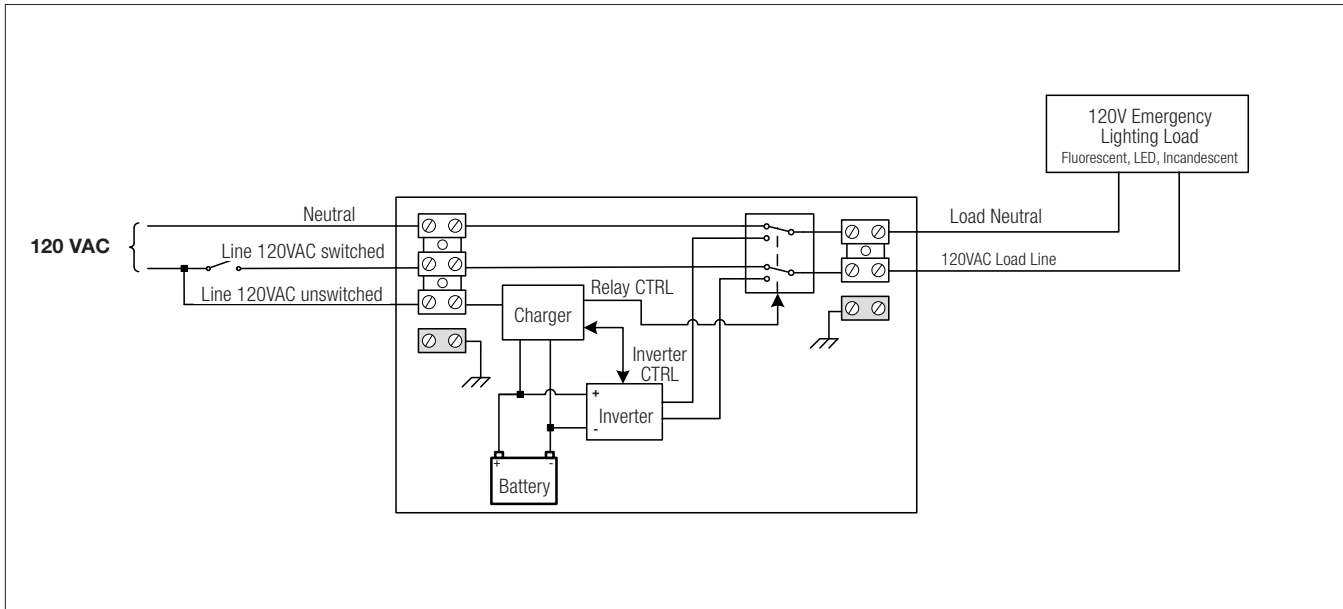
Project/Location: _____
 Contractor: _____
 Date: _____
 Prepared by: _____
 Lumacell Model: _____

Mini-Inverter Series

Interruptible Unit Equipment



WIRING DIAGRAM



POWER CONSUMPTION AND UNIT RATING

MODEL NUMBER	AC SPECS		EMERGENCY POWER AVAILABLE FOR LOAD				
			30MIN	1H00	1H30	2H00	4H00
LMI-1000	120 VAC	9.23 Amps	1000W	585W	415W	330W	165W
LMI-1440		12.90 Amps	1440W	842W	600W	480W	240W

ORDERING INFORMATION

SERIES	CAPACITY	VOLTAGES IN/OUT	OPTIONS
LMI= Series	-1000= 1000W -1440= 1440W	-1= 120/120VAC	-D3= Time Delay (15 minutes) -LC= Line Cord (120V only, 1 000W max.) -TL= Twist Lock Plug (120V only, 1 000W max.) Blank= Auto-Test, non audible* -AT= Auto-Test, audible* -NEX= Nexus® wired system interface -NEXRF= Nexus® wireless system interface -10V= Lighting control override for 0-10V dimming system**

* Minimum load required: 10% of unit capacity
 ** For any other lighting control system, please consult your sales representative

EXAMPLE: LMI-1440-1