



Table of Contents

| | |
|---------------------------------------------------|---------|
| Overview | D2–D5 |
| Solid Wall | D6–D7 |
| Wide Slot | D8–D9 |
| Wide Slot – Halogen Free | D10–D11 |
| Narrow Slot | D12–D13 |
| Round Hole | D14–D15 |
| Thermoplastic Metric Wiring Duct | D16–D17 |
| Accessories | D18–D19 |
| Wiring Duct Tools | D20–D21 |
| Wire Fill Capacity | D22 |
| Properties of materials used in Wiring Duct | D23 |
| Solid Wall (PVC) – Dimensions | D24 |
| Wide Slot (PVC) – Dimensions | D25 |
| Narrow Slot (PVC) – Dimensions | D26 |
| Round Slot (PVC) – Dimensions | D27 |
| Agency Approvals and Standards | D28 |



Thomas & Betts' innovative new Ty-Duct™ products offer a total solution for routing and concealing wiring in control panels. Many different sizes are available to accommodate anything from the smallest wallmount panel to the larger integrated systems!

Overview

Ty-Duct™ – The versatile configurations you need for routing and concealing wiring!

Here are some of the impressive features incorporated into all of our wiring duct solutions.

Features

- Available in Solid, Wide Slot, Narrow Slot, and Round Hole versions to meet your capacity and flexibility needs
- Widths from 0.75 in. to 6 in. and depths from 1 in. to 5 in.
- Optional adhesive back for quick, hassle-free installation
- Complete selection of accessories and tools for installation
- Lead-free construction
- Lightweight Halogen-free unit available for Wide Slot Wiring Duct

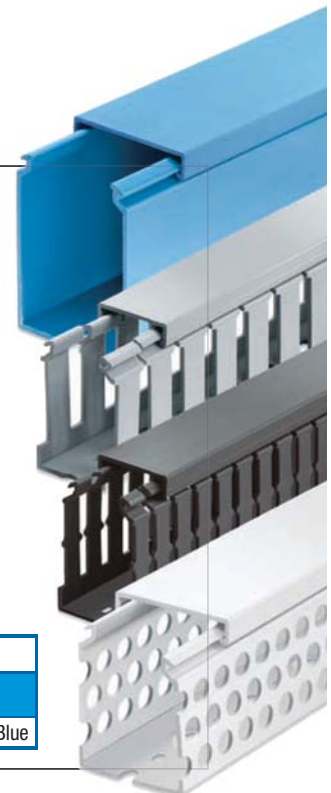
Certifications

- UL Recognized Continuous-Use Temperature: 50° C (122° F)
- UL 94 Flammability — Rating of V-0
- Conforms with NFPA 79-2002 Section 14.3.1 Requirement for Flame Retardant Material
- CE compliant for European shipping
- CSA Certified
- RoHS Compliant



Available in 4 Colours

| | | | |
|------|-------|-------|----------------|
| | | | |
| Grey | White | Black | Intrinsic Blue |



Overview



Advantages

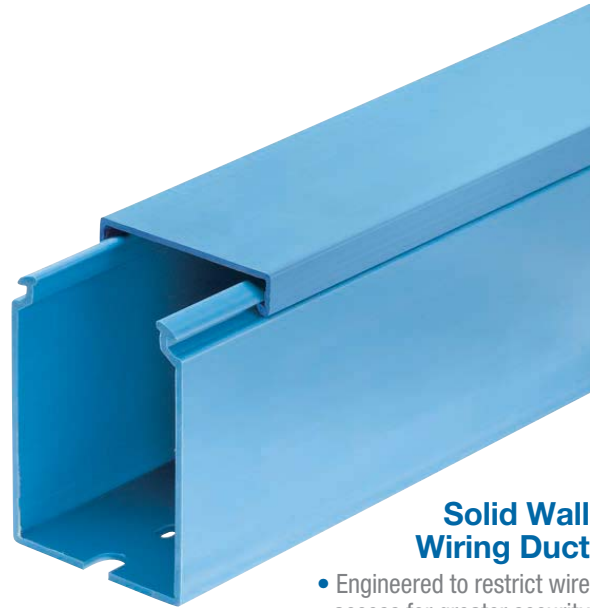
- **Two-point contact** design enables the cover to be easily installed in the right place with less force
- **Co-extruded cover** ensures the cover will stay in place and will not slip once installed
- **Smooth corners and edges** will not damage or disfigure wires
- **Flush cover design** enables greater capacity and sits flush with duct side wall
- **Triple restricted slots** speed installation while enabling better wire retaining in duct
- **Dual score lines** — Upper score line allows fingers to be broken out without tools and the lower score line allows side wall sections to be removed easily
- **V-shaped slot lead-in** funnels wires into slot for easier wire insertion
- **Staggered mounting hole pattern** (larger widths)
- **Universal Mounting Clip** secures into the base to perform several tasks:
 - Enables divider to be snapped into base
 - Slots in the Universal Mounting Clip allow cable ties to pass through to hold wire bundles in place
 - 2 slot sizes on Universal Mounting Clip accommodate traditional nylon cable ties or hook and loop fasteners
- **Slotted and Solid Divider** accommodates various wiring applications
- **Grooved cover** provides better grip for removal and placement of cover onto base
- **Writable protective film** on covers protects from work site scratches and scuffs and enables temporary marking or labeling
- **Embossed holes** enable Universal Mounting Clips to be installed, even after the duct has been riveted to the panel
- **PVC construction** is excellent for flame retardancy
- **North American and DIN standard mounting holes**

Overview



Wide Slot Wiring Duct

- Wide fingers and slots increase rigidity and enable insertion of bundles
- Halogen-free version available



Solid Wall Wiring Duct

- Engineered to restrict wire access for greater security
- Available in improved flush sidewall and cover style for greater wire capacity



Round Hole Wiring Duct

- Multiple rows of holes retain wire at different heights and positions with or without the cover
- Features maximum number of wire holes



Narrow Slot Wiring Duct

- Smaller, higher number of fingers for more concise harnessing
- Finger design restricts wire from slipping along the edge — creates two or three levels of wire service

Overview

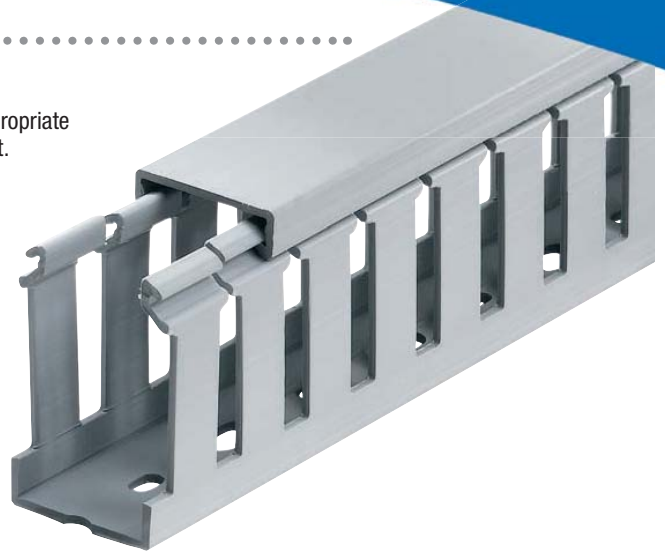
How to order Ty-Duct™

Ordering the Ty-Duct™ products you need is as easy as 1, 2, 3! After selecting the appropriate Ty-Duct solutions for your application, make sure you complete the following checklist.

For Ty-Duct™ Wiring Duct and Covers

- 1 Specify colour
- 2 Indicate if you want the duct without mounting holes
- 3 Indicate if you want an adhesive-backed duct (not available in Wide Slot Duct – Halogen Free)

| | |
|---------------------------------|--|
| — = space for colour identifier | |
| G = Grey | |
| W = White | |
| B = Black | |
| I = Intrinsic Blue | |



3 To order **Adhesive-Backed Duct**, add suffix **A** to catalogue number.
 Example: **TY75X15WPB6A** is a 0.75 in. x 1.5 in. wide slot black duct with adhesive backing.
 Shelf life for adhesive is 1 year.

2 To order duct **without mounting holes**, add suffix **NM** to catalogue number.
 Example: **TY75X1WPG6NM** is a 0.75 in. x 1 in. wide slot grey duct with no mounting holes.

| Cat. No. | Description (in.) | Size (W x H) | | Cover Cat. No. | Standard Carton Quantity | | Length (ft.) |
|---------------------|---------------------------|--------------|-------------|-----------------|--------------------------|----------------------|--------------|
| | | in. | mm | | Duct Std. Ctn. Qty. | Cover Std. Ctn. Qty. | |
| TY75X1WPG6NM | 0.75 x 1 wide slot duct | 0.94 x 1.09 | 23.9 x 27.7 | TY75CP_6 | 120 | 120 | 6 |
| TY75X15WPB6A | 0.75 x 1.5 wide slot duct | 0.94 x 1.56 | 23.9 x 39.6 | | | | |
| TY75X2WPI6 | 0.75 x 2 wide slot duct | 0.94 x 2.07 | 23.9 x 52.6 | | | | |

SP = Solid
WP = Wide Slot
NP = Narrow Slot
RP = Round Hole

1 Catalogue Number must be completed by adding suffix **G** for Grey, **W** for White, **I** for Intrinsic Blue, **B** for Black. Example: **TY75X2WPI6** is a 0.75 in. x 2 in. wide slot **intrinsic blue** duct. Cover colour must be specified also.

Standard lengths are **6** feet.

For Ty-Duct™ Dividers

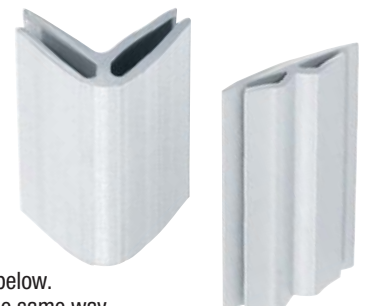


Catalogue Number must be completed by adding suffix **S** for **Solid** or **W** for **Wide Slot**.
 Example: **TY2DSPG6** is a 2 in. high **solid** wall grey divider.

| Cat. No. | Description | Std. Ctn. Qty. | Length (ft.) |
|-----------------|-------------------------|----------------|--------------|
| TY2DSPG6 | 2 in. high wall divider | 120 | 6 |

Catalogue Number must be completed by adding suffix **G** for Grey, **W** for White, **I** for Intrinsic Blue, **B** for Black. Example: **TY2DSPG6** is a 2 in. high solid wall **grey** divider.

For Ty-Duct™ Corner and Joining Strips



Corner Strip sample shown below.
 Joining Strips are ordered the same way.

| Cat. No. | Description | Std. Ctn. Qty. | Length (ft.) |
|---------------|--------------|----------------|--------------|
| TYCSG6 | Corner Strip | 120 | 6 |

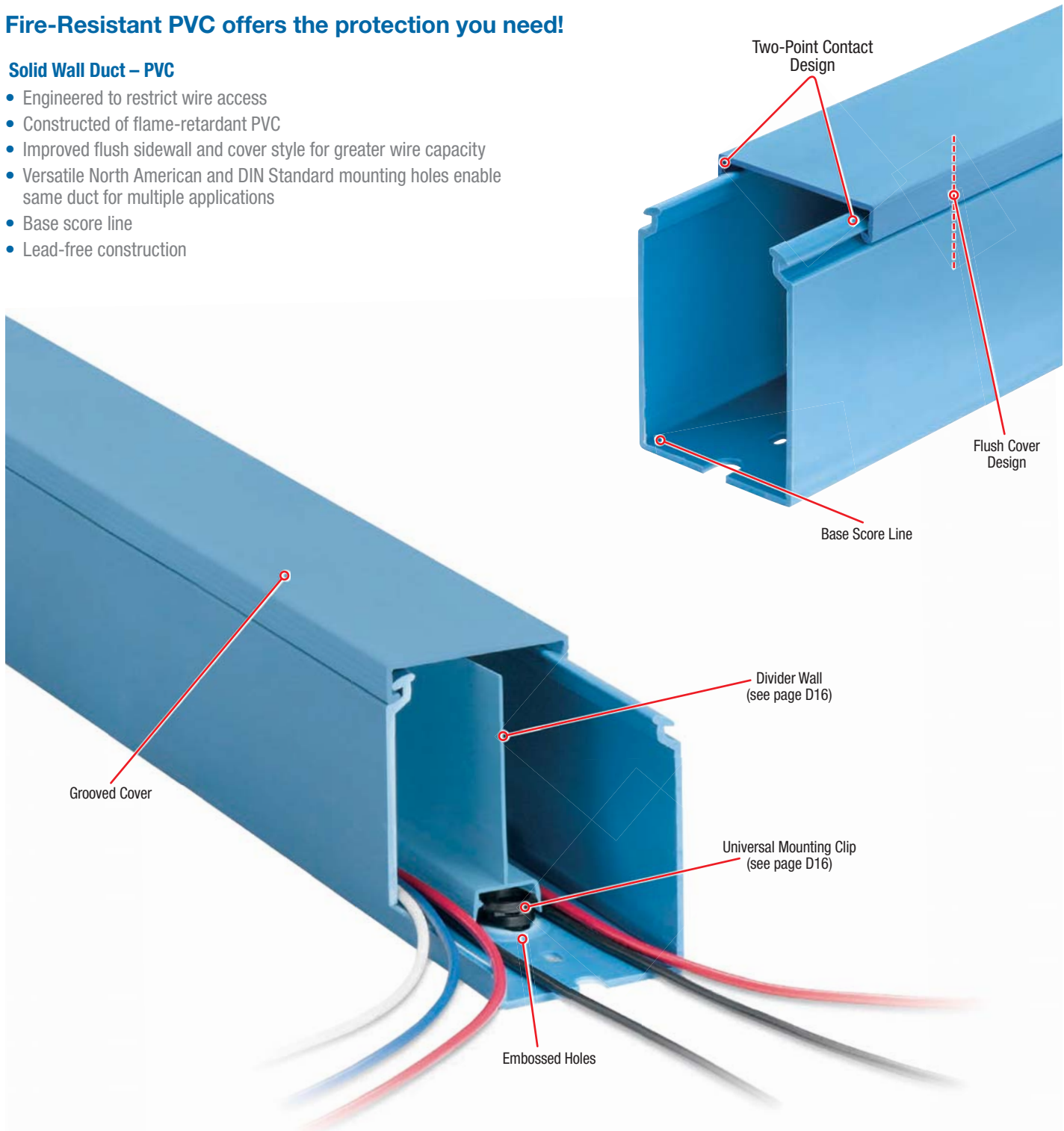
Catalogue Number must be completed by adding suffix **G** for Grey, **W** for White, **I** for Intrinsic Blue, **B** for Black.
 Example: **TYCSG6** is a **grey** corner strip.

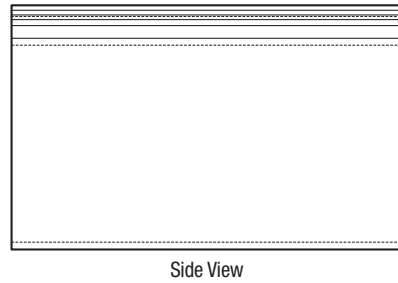
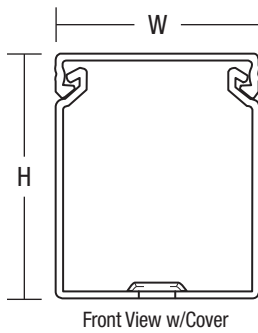
Solid Wall Duct

Fire-Resistant PVC offers the protection you need!

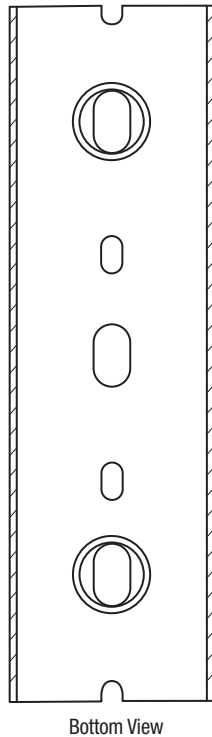
Solid Wall Duct – PVC

- Engineered to restrict wire access
- Constructed of flame-retardant PVC
- Improved flush sidewall and cover style for greater wire capacity
- Versatile North American and DIN Standard mounting holes enable same duct for multiple applications
- Base score line
- Lead-free construction





For a complete listing of Solid Wall dimensional details, see page D22



| Cat. No. | Description (in.) | Size (W x H) | | Cover Cat. No. | Duct Std. Ctn. Qty. | Cover Std. Ctn. Qty. | Length (ft.) |
|-------------|----------------------------|--------------|---------------|----------------|---------------------|----------------------|--------------|
| | | in. | mm | | | | |
| TY75X1SP_6 | 0.75 x 1 solid wall duct | 0.94 | 23.9 x 29.0 | TY75CP_6 | 120 | 120 | 6 |
| TY75X15SP_6 | 0.75 x 1.5 solid wall duct | 0.94 | 23.9 x 40.6 | | 120 | | |
| TY75X2SP_6 | 0.75 x 2 solid wall duct | 0.94 | 23.9 x 53.3 | | 120 | | |
| TY1X1SP_6 | 1 x 1 solid wall duct | 1.25 | 31.8 x 29.0 | TY1CP_6 | 120 | 120 | |
| TY1X15SP_6 | 1 x 1.5 solid wall duct | 1.25 | 31.8 x 40.6 | | 120 | | |
| TY1X2SP_6 | 1 x 2 solid wall duct | 1.25 | 31.8 x 53.3 | | 120 | | |
| TY1X3SP_6 | 1 x 3 solid wall duct | 1.25 | 31.8 x 77.5 | | 120 | | |
| TY1X4SP_6 | 1 x 4 solid wall duct | 1.25 | 31.8 x 111.0 | | 60 | | |
| TY15X1SP_6 | 1.5 x 1 solid wall duct | 1.75 | 44.5 x 29.0 | TY15CP_6 | 120 | 120 | |
| TY15X15SP_6 | 1.5 x 1.5 solid wall duct | 1.75 | 44.5 x 40.6 | | 120 | | |
| TY15X2SP_6 | 1.5 x 2 solid wall duct | 1.75 | 44.5 x 53.3 | | 120 | | |
| TY15X3SP_6 | 1.5 x 3 solid wall duct | 1.75 | 44.5 x 77.5 | | 120 | | |
| TY15X4SP_6 | 1.5 x 4 solid wall duct | 1.75 | 44.5 x 111.0 | | 60 | | |
| TY2X1SP_6 | 2 x 1 solid wall duct | 2.25 | 57.2 x 31.5 | TY2CP_6 | 120 | 120 | |
| TY2X15SP_6 | 2 x 1.5 solid wall duct | 2.25 | 57.2 x 43.2 | | 120 | | |
| TY2X2SP_6 | 2 x 2 solid wall duct | 2.25 | 57.2 x 55.6 | | 120 | | |
| TY2X3SP_6 | 2 x 3 solid wall duct | 2.25 | 57.2 x 79.8 | | 60 | | |
| TY2X4SP_6 | 2 x 4 solid wall duct | 2.25 | 57.2 x 113.3 | | 60 | | |
| TY2X5SP_6 | 2 x 5 solid wall duct | 2.25 | 57.2 x 130.8 | | 60 | | |
| TY25X2SP_6 | 2.5 x 2 solid wall duct | 2.75 | 69.9 x 55.6 | TY25CP_6 | 120 | 120 | |
| TY25X3SP_6 | 2.5 x 3 solid wall duct | 2.75 | 69.9 x 79.8 | | 60 | | |
| TY25X4SP_6 | 2.5 x 4 solid wall duct | 2.75 | 69.9 x 113.3 | | 60 | | |
| TY3X1SP_6 | 3 x 1 solid wall duct | 3.25 | 82.6 x 31.5 | TY3CP_6 | 120 | 120 | |
| TY3X2SP_6 | 3 x 2 solid wall duct | 3.25 | 82.6 x 55.6 | | 60 | | |
| TY3X3SP_6 | 3 x 3 solid wall duct | 3.25 | 82.6 x 79.8 | | 60 | | |
| TY3X4SP_6 | 3 x 4 solid wall duct | 3.25 | 82.6 x 113.3 | | 60 | | |
| TY3X5SP_6 | 3 x 5 solid wall duct | 3.25 | 82.6 x 130.8 | | 60 | | |
| TY4X15SP_6 | 4 x 1.5 solid wall duct | 4.25 | 108.0 x 43.2 | TY4CP_6 | 60 | 120 | |
| TY4X2SP_6 | 4 x 2 solid wall duct | 4.25 | 108.0 x 55.6 | | 60 | | |
| TY4X3SP_6 | 4 x 3 solid wall duct | 4.25 | 108.0 x 79.8 | | 60 | | |
| TY4X4SP_6 | 4 x 4 solid wall duct | 4.25 | 108.0 x 113.3 | | 30 | | |
| TY4X5SP_6 | 4 x 5 solid wall duct | 4.25 | 108.0 x 130.8 | | 30 | | |
| TY6X4SP_6 | 6 x 4 solid wall duct | 6.25 | 158.8 x 113.3 | | TY6CP_6 | | |

| | |
|---------------------------------|--|
| _ = space for colour identifier | |
| G = Grey | |
| W = White | |
| B = Black | |
| I = Intrinsic Blue | |

Standard lengths are 6 feet.

Catalogue Number must be completed by adding suffix **G** for Grey, **W** for White, **I** for Intrinsic Blue, **B** for Black.
Example: **TY75X1SPG6** is a 0.75 in. x 1 in. solid wall grey duct.

To order duct **without mounting holes**, add suffix **NM** to catalogue number.
Example: **TY75X1SPG6NM** is a 0.75 in. x 1 in. solid wall grey duct with **no mounting holes**.

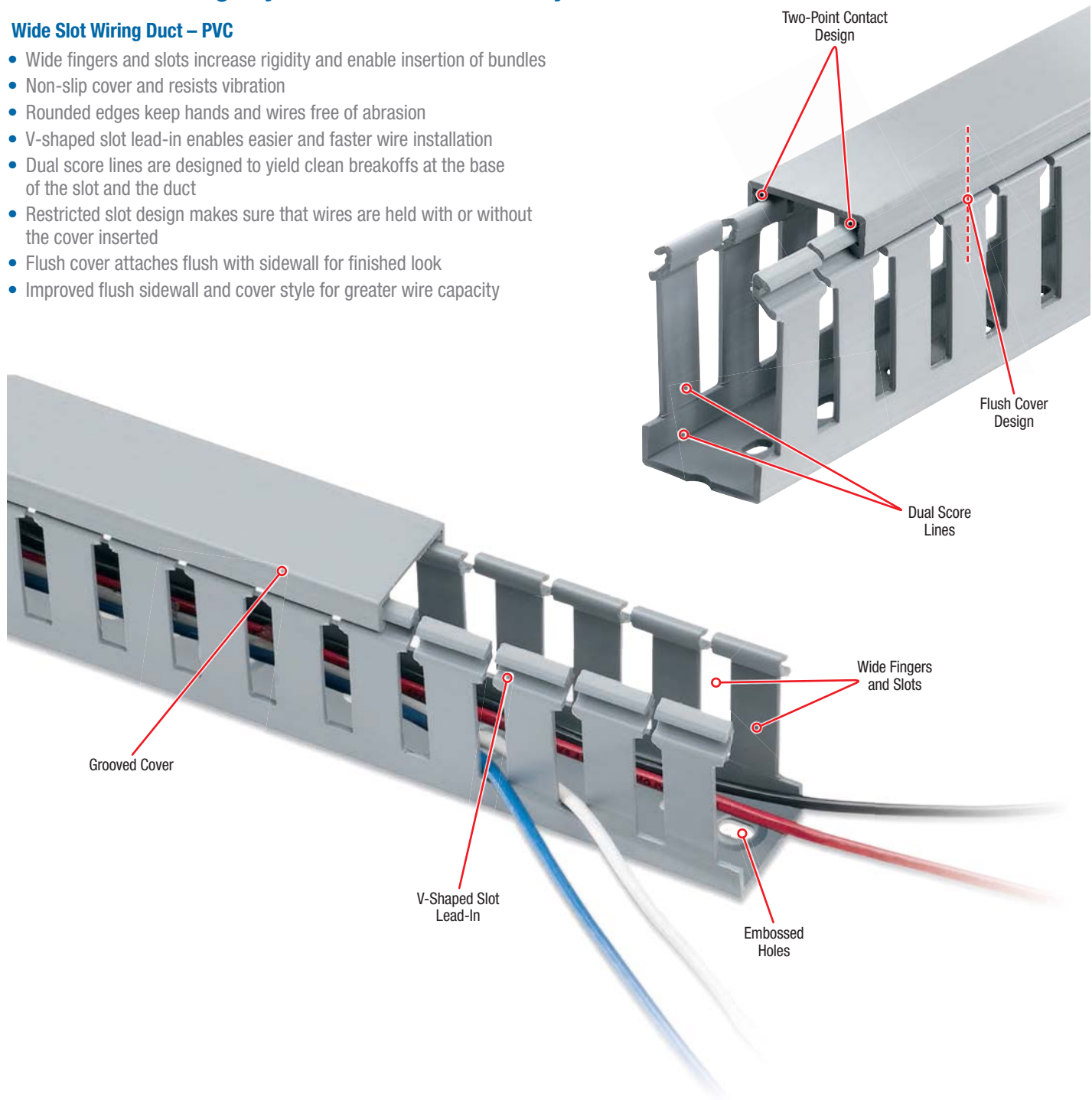
To order **Adhesive-Backed Duct**, add suffix **A** to catalogue number.
Example: **TY75X1SPG6A** is a 0.75 in. x 1 in. solid wall grey duct with **adhesive backing**. Shelf life for adhesive is 1 year.
PVC vinyl duct is UL Recognized , CSA Certified and CE Compliant

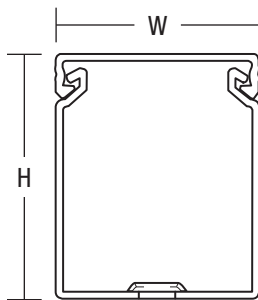
Wide Slot Wiring Duct

Greater sidewall rigidity with increased versatility!

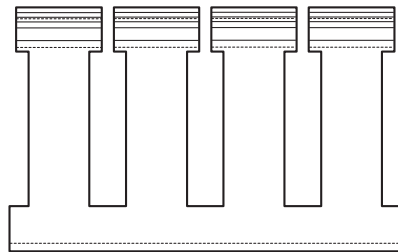
Wide Slot Wiring Duct – PVC

- Wide fingers and slots increase rigidity and enable insertion of bundles
- Non-slip cover and resists vibration
- Rounded edges keep hands and wires free of abrasion
- V-shaped slot lead-in enables easier and faster wire installation
- Dual score lines are designed to yield clean breakoffs at the base of the slot and the duct
- Restricted slot design makes sure that wires are held with or without the cover inserted
- Flush cover attaches flush with sidewall for finished look
- Improved flush sidewall and cover style for greater wire capacity



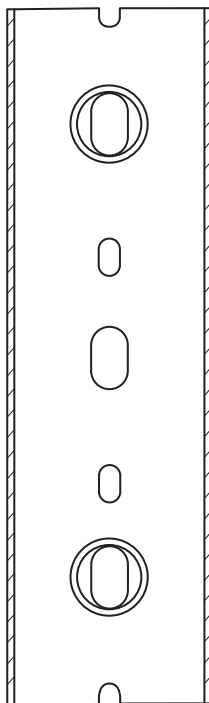


Front View w/Cover



Side View

For a complete listing of Wide Slot dimensional details, see page D23



Bottom View

| Cat. No. | Description (in.) | Size (W x H) | | Cover Cat. No. | Duct Std. Ctn. Qty. | Cover Std. Ctn. Qty. | Length (ft.) |
|-------------|---------------------------|--------------|---------------|----------------|---------------------|----------------------|--------------|
| | | in. | mm | | | | |
| TY75X1WP_6 | 0.75 x 1 wide slot duct | 0.94 x 1.14 | 23.9 x 29.0 | TY75CP_6 | 120 | 120 | 6 |
| TY75X15WP_6 | 0.75 x 1.5 wide slot duct | 0.94 x 1.60 | 23.9 x 40.6 | | 120 | | |
| TY75X2WP_6 | 0.75 x 2 wide slot duct | 0.94 x 2.10 | 23.9 x 53.3 | | 120 | | |
| TY1X1WP_6 | 1 x 1 wide slot duct | 1.25 x 1.14 | 31.8 x 29.0 | TY1CP_6 | 120 | 120 | |
| TY1X15WP_6 | 1 x 1.5 wide slot duct | 1.25 x 1.60 | 31.8 x 40.6 | | 120 | | |
| TY1X2WP_6 | 1 x 2 wide slot duct | 1.25 x 2.10 | 31.8 x 53.3 | | 120 | | |
| TY1X3WP_6 | 1 x 3 wide slot duct | 1.25 x 3.05 | 31.8 x 77.5 | | 120 | | |
| TY1X4WP_6 | 1 x 4 wide slot duct | 1.25 x 4.37 | 31.8 x 111.0 | | 60 | | |
| TY15X1WP_6 | 1.5 x 1 wide slot duct | 1.75 x 1.14 | 44.5 x 29.0 | TY15CP_6 | 120 | 120 | |
| TY15X15WP_6 | 1.5 x 1.5 wide slot duct | 1.75 x 1.60 | 44.5 x 40.6 | | 120 | | |
| TY15X2WP_6 | 1.5 x 2 wide slot duct | 1.75 x 2.10 | 44.5 x 53.3 | | 120 | | |
| TY15X3WP_6 | 1.5 x 3 wide slot duct | 1.75 x 3.05 | 44.5 x 77.5 | | 120 | | |
| TY15X4WP_6 | 1.5 x 4 wide slot duct | 1.75 x 4.37 | 44.5 x 111.0 | | 60 | | |
| TY2X1WP_6 | 2 x 1 wide slot duct | 2.25 x 1.24 | 57.2 x 31.5 | TY2CP_6 | 120 | 120 | |
| TY2X15WP_6 | 2 x 1.5 wide slot duct | 2.25 x 1.70 | 57.2 x 43.2 | | 120 | | |
| TY2X2WP_6 | 2 x 2 wide slot duct | 2.25 x 2.19 | 57.2 x 55.6 | | 120 | | |
| TY2X3WP_6 | 2 x 3 wide slot duct | 2.25 x 3.14 | 57.2 x 79.8 | | 60 | | |
| TY2X4WP_6 | 2 x 4 wide slot duct | 2.25 x 4.46 | 57.2 x 113.3 | | 60 | | |
| TY2X5WP_6 | 2 x 5 wide slot duct | 2.25 x 5.15 | 57.2 x 130.8 | | 60 | | |
| TY25X2WP_6 | 2.5 x 2 wide slot duct | 2.75 x 2.19 | 69.9 x 55.6 | TY25CP_6 | 120 | 120 | |
| TY25X3WP_6 | 2.5 x 3 wide slot duct | 2.75 x 3.14 | 69.9 x 79.8 | | 60 | | |
| TY25X4WP_6 | 2.5 x 4 wide slot duct | 2.75 x 4.46 | 69.9 x 113.3 | | 60 | | |
| TY3X1WP_6 | 3 x 1 wide slot duct | 3.25 x 1.24 | 82.6 x 31.5 | TY3CP_6 | 120 | 120 | |
| TY3X2WP_6 | 3 x 2 wide slot duct | 3.25 x 2.19 | 82.6 x 55.6 | | 60 | | |
| TY3X3WP_6 | 3 x 3 wide slot duct | 3.25 x 3.14 | 82.6 x 79.8 | | 60 | | |
| TY3X4WP_6 | 3 x 4 wide slot duct | 3.25 x 4.46 | 82.6 x 113.3 | | 60 | | |
| TY3X5WP_6 | 3 x 5 wide slot duct | 3.25 x 5.15 | 82.6 x 130.8 | | 60 | | |
| TY4X15WP_6 | 4 x 1.5 wide slot duct | 4.25 x 1.70 | 108.0 x 43.2 | TY4CP_6 | 60 | 120 | |
| TY4X2WP_6 | 4 x 2 wide slot duct | 4.25 x 2.19 | 108.0 x 55.6 | | 60 | | |
| TY4X3WP_6 | 4 x 3 wide slot duct | 4.25 x 3.14 | 108.0 x 79.8 | | 60 | | |
| TY4X4WP_6 | 4 x 4 wide slot duct | 4.25 x 4.46 | 108.0 x 113.3 | | 30 | | |
| Y4X5WP_6 | 4 x 5 wide slot duct | 4.25 x 5.15 | 108.0 x 130.8 | | 30 | | |
| TY6X4WP_6 | 6 x 4 wide slot duct | 6.25 x 4.46 | 158.8 x 113.3 | TY6CP_6 | 30 | 60 | |

| | |
|---------------------------------|--|
| _ = space for colour identifier | |
| G = Grey | |
| W = White | |
| B = Black | |
| I = Intrinsic Blue | |

Standard lengths are 6 feet.

Catalogue Number must be completed by adding suffix **G** for Grey, **W** for White, **I** for Intrinsic Blue, **B** for Black.
Example: TY75X1WPG6 is a 0.75 in. x 1 in. solid wall grey duct.

To order duct **without mounting holes**, add suffix **NM** to catalogue number.
Example: TY75X1WPG6NM is a 0.75 in. x 1 in. solid wall grey duct with **no mounting holes**.

To order **Adhesive-Backed Duct**, add suffix **A** to catalogue number.
Example: TY75X1WPG6A is a 0.75 in. x 1 in. solid wall grey duct with **adhesive backing**. Shelf life for adhesive is 1 year.

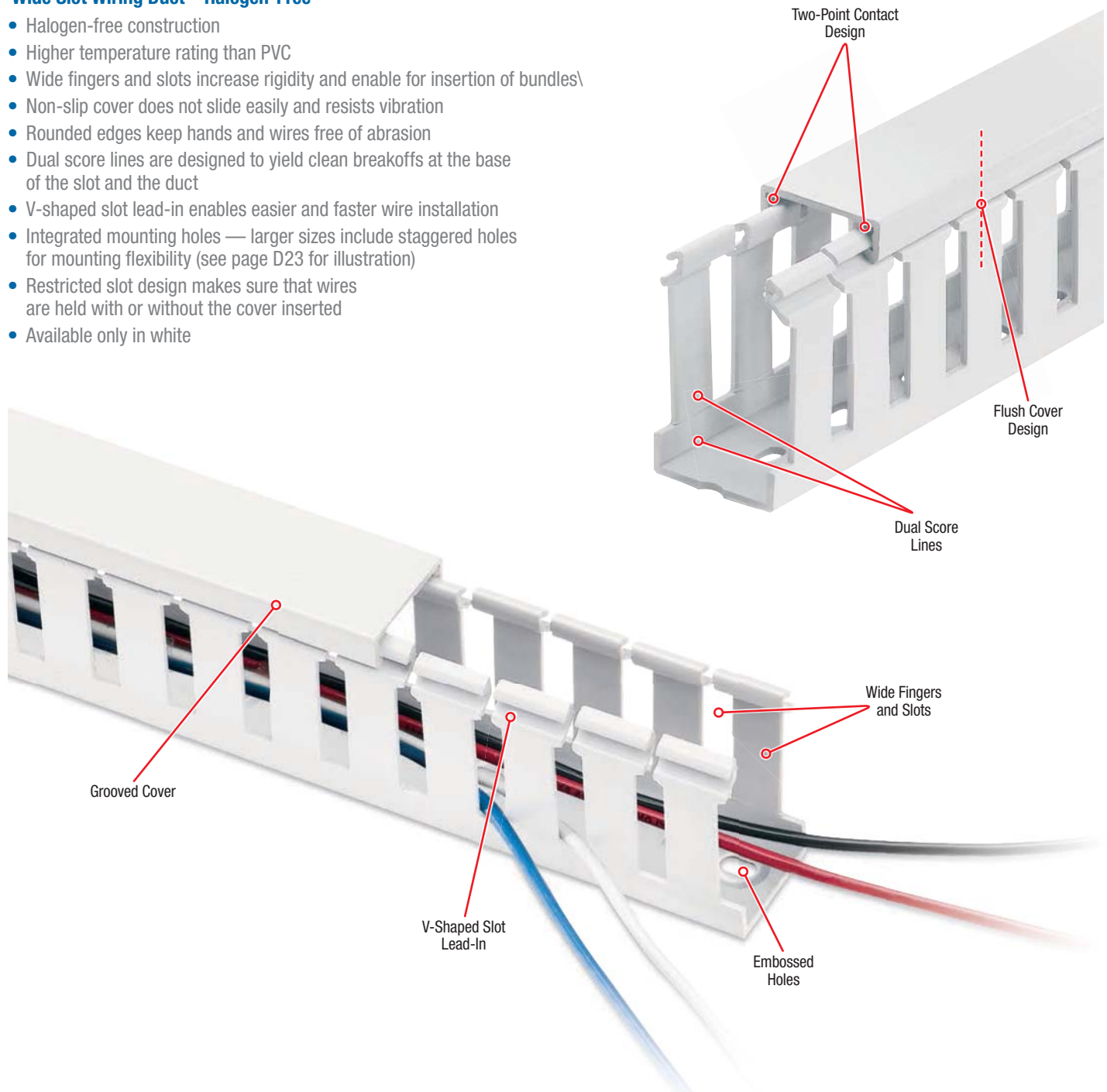
PVC vinyl duct is UL Recognized CSA Certified and CE Compliant

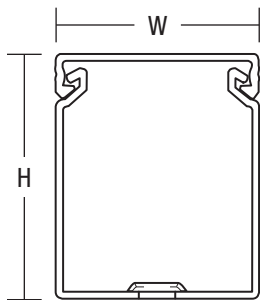
Wide Slot Wiring Duct – Halogen Free

Perfect for high-temperature areas!

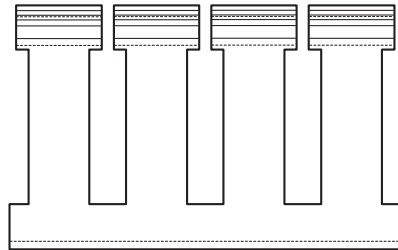
Wide Slot Wiring Duct – Halogen-Free

- Halogen-free construction
- Higher temperature rating than PVC
- Wide fingers and slots increase rigidity and enable for insertion of bundles
- Non-slip cover does not slide easily and resists vibration
- Rounded edges keep hands and wires free of abrasion
- Dual score lines are designed to yield clean breakoffs at the base of the slot and the duct
- V-shaped slot lead-in enables easier and faster wire installation
- Integrated mounting holes — larger sizes include staggered holes for mounting flexibility (see page D23 for illustration)
- Restricted slot design makes sure that wires are held with or without the cover inserted
- Available only in white



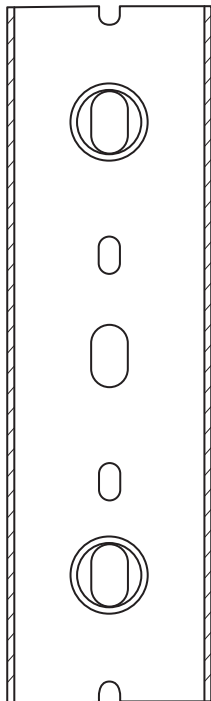


Front View w/Cover



Side View

For a complete listing of Wide Slot dimensional details, see page D23



Bottom View

| Cat. No. | Description | Size (W x H) | | Cover Cat. No. | Duct Std. Ctn. Qty. | Cover Std. Ctn. Qty. | Length (ft.) |
|--------------------|-----------------------------------|--------------|---------------|-----------------|---------------------|----------------------|--------------|
| | | in. | mm | | | | |
| TY1X1WHW6 | 1 x 1 halogen-free white duct | 1.25 x 1.14 | 31.8 x 29.0 | TY1CHW6 | 120 | 120 | 6 |
| TY1X15WHW6 | 1 x 1.5 halogen-free white duct | 1.25 x 1.60 | 31.8 x 40.6 | | 120 | | |
| TY1X2WHW6 | 1 x 2 halogen-free white duct | 1.25 x 2.10 | 31.8 x 53.3 | | 120 | | |
| TY1X3WHW6 | 1 x 3 halogen-free white duct | 1.25 x 3.05 | 31.8 x 77.5 | | 120 | | |
| TY1X4WHW6 | 1 x 4 halogen-free white duct | 1.25 x 4.37 | 31.8 x 111.0 | 60 | | | |
| TY15X15WHW6 | 1.5 x 1.5 halogen-free white duct | 1.75 x 1.60 | 44.5 x 40.6 | TY15CHW6 | 120 | | |
| TY15X2WHW6 | 1.5 x 2 halogen-free white duct | 1.75 x 2.10 | 44.5 x 53.3 | | 120 | | |
| TY15X3WHW6 | 1.5 x 3 halogen-free white duct | 1.75 x 3.05 | 44.5 x 77.5 | | 120 | | |
| TY15X4WHW6 | 1.5 x 4 halogen-free white duct | 1.75 x 4.37 | 44.5 x 111.0 | | 60 | | |
| TY2X1WHW6 | 2 x 1 halogen-free white duct | 2.25 x 1.24 | 57.2 x 31.5 | TY2CHW6 | 120 | | |
| TY2X2WHW6 | 2 x 2 halogen-free white duct | 2.25 x 2.19 | 57.2 x 55.6 | | 120 | | |
| TY2X3WHW6 | 2 x 3 halogen-free white duct | 2.25 x 3.14 | 57.2 x 79.8 | | 60 | | |
| TY2X4WHW6 | 2 x 4 halogen-free white duct | 2.25 x 4.46 | 57.2 x 113.3 | | 60 | | |
| TY25X3WHW6 | 2.5 x 3 halogen-free white duct | 2.75 x 3.14 | 69.9 x 79.8 | TY25CHW6 | 60 | | |
| TY3X1WHW6 | 3 x 1 halogen-free white duct | 3.25 x 1.24 | 82.6 x 31.5 | TY3CHW6 | 120 | | |
| TY3X2WHW6 | 3 x 2 halogen-free white duct | 3.25 x 2.19 | 82.6 x 55.6 | | 60 | | |
| TY3X3WHW6 | 3 x 3 halogen-free white duct | 3.25 x 3.14 | 82.6 x 79.8 | | 60 | | |
| TY3X4WHW6 | 3 x 4 halogen-free white duct | 3.25 x 4.46 | 82.6 x 113.3 | | 60 | | |
| TY3X5WHW6 | 3 x 5 halogen-free white duct | 3.25 x 5.15 | 82.6 x 130.8 | | 60 | | |
| TY4X2WHW6 | 4 x 2 halogen-free white duct | 4.25 x 2.19 | 108.0 x 55.6 | TY4CHW6 | 60 | | |
| TY4X3WHW6 | 4 x 3 halogen-free white duct | 4.25 x 3.14 | 108.0 x 79.8 | | 60 | | |
| TY4X4WHW6 | 4 x 4 halogen-free white duct | 4.25 x 4.46 | 108.0 x 113.3 | | 30 | | |
| TY4X5WHW6 | 4 x 5 halogen-free white duct | 4.25 x 5.15 | 108.0 x 130.8 | | 30 | | |

— = space for colour identifier
W = White

Standard lengths are 6 feet.

To order duct **without mounting holes**, add suffix **NM** to catalogue number.
 Example: **TY1XWHW6NM** is a 1 in. x 1 in. wide slot halogen-free white duct with **no mounting holes**.

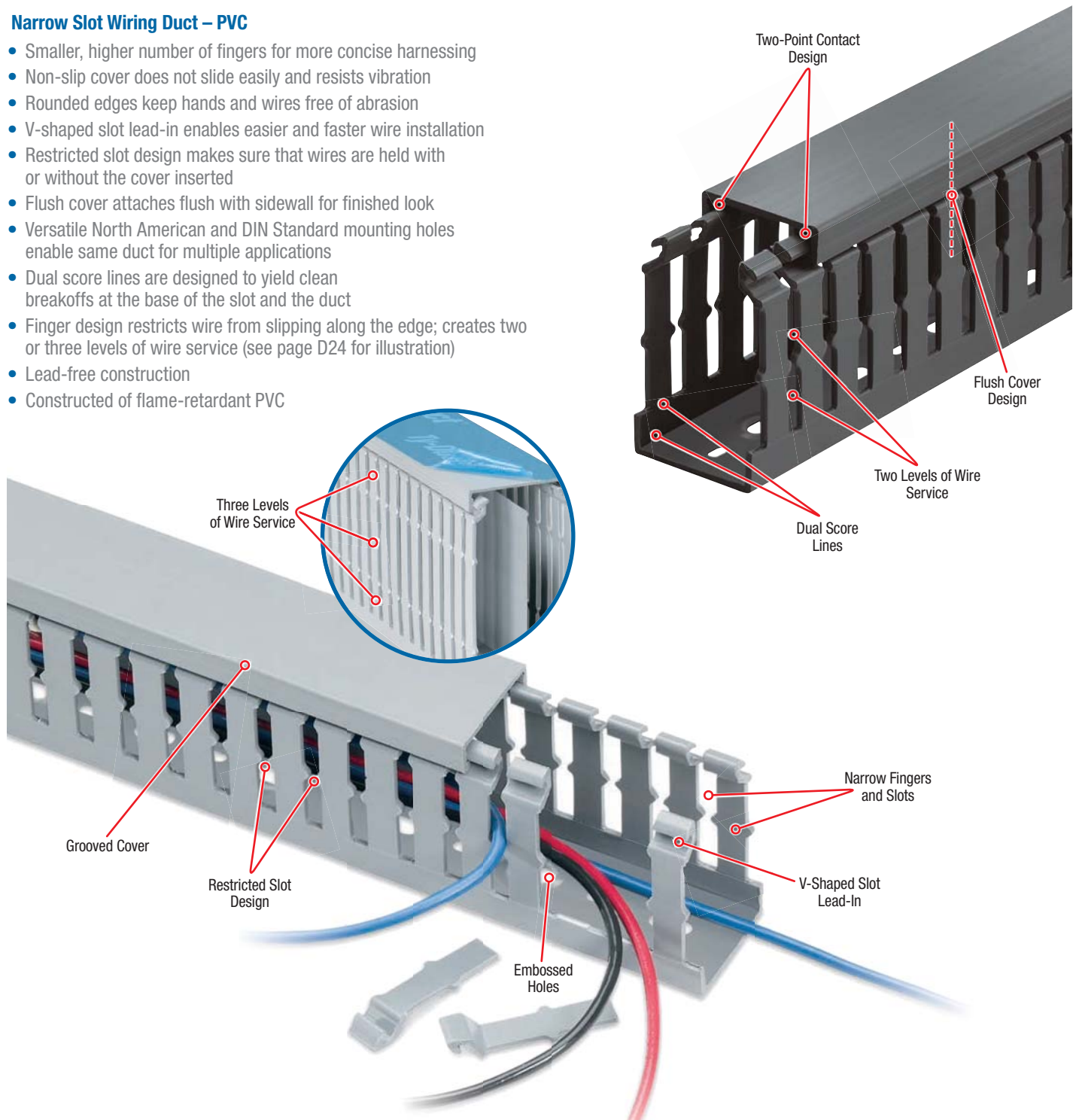
Vinyl duct is UL Recognized , CSA Certified and meets the JIC requirements
 PVC vinyl duct is UL Recognized , CSA Certified and CE Compliant

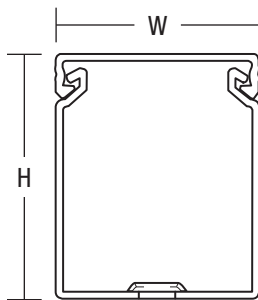
Narrow Slot Wiring Duct

Designed to fit the spacing of high-density terminal blocks!

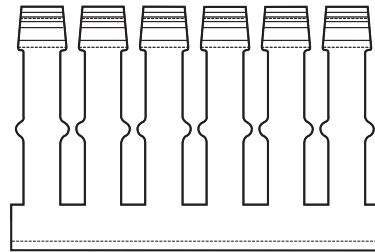
Narrow Slot Wiring Duct – PVC

- Smaller, higher number of fingers for more concise harnessing
- Non-slip cover does not slide easily and resists vibration
- Rounded edges keep hands and wires free of abrasion
- V-shaped slot lead-in enables easier and faster wire installation
- Restricted slot design makes sure that wires are held with or without the cover inserted
- Flush cover attaches flush with sidewall for finished look
- Versatile North American and DIN Standard mounting holes enable same duct for multiple applications
- Dual score lines are designed to yield clean breakoffs at the base of the slot and the duct
- Finger design restricts wire from slipping along the edge; creates two or three levels of wire service (see page D24 for illustration)
- Lead-free construction
- Constructed of flame-retardant PVC



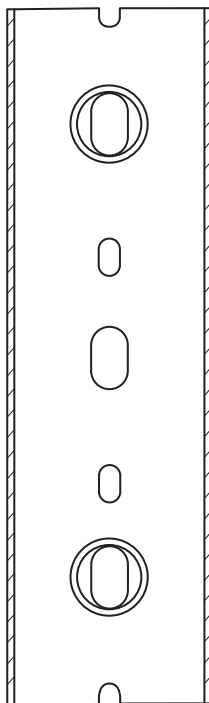


Front View w/Cover



Side View

For a complete listing of Narrow Slot dimensional details, see page D24



Bottom View

| Cat. No. | Description (in.) | Size (W x H) | | Cover Cat. No. | Duct Std. Ctn. Qty. | Cover Std. Ctn. Qty. | Length (ft.) |
|-------------|-----------------------------|--------------|---------------|----------------|---------------------|----------------------|--------------|
| | | in. | mm | | | | |
| TY75X15NP_6 | 0.75 x 1.5 narrow slot duct | 0.94 x 1.60 | 23.9 x 40.6 | TY75CP_6 | 120 | 120 | 6 |
| TY1X1NP_6 | 1 x 1 narrow slot duct | 1.25 x 1.14 | 31.8 x 29.0 | TY1CP_6 | 120 | | |
| TY1X15NP_6 | 1 x 1.5 narrow slot duct | 1.25 x 1.60 | 31.8 x 40.6 | | 120 | | |
| TY1X2NP_6 | 1 x 2 narrow slot duct | 1.25 x 2.10 | 31.8 x 53.3 | | 120 | | |
| TY1X3NP_6 | 1 x 3 narrow slot duct | 1.25 x 3.05 | 31.8 x 77.5 | | 120 | | |
| TY1X4NP_6 | 1 x 4 narrow slot duct | 1.25 x 4.37 | 31.8 x 111.0 | | 60 | | |
| TY15X1NP_6 | 1.5 x 1 narrow slot duct | 1.75 x 1.14 | 44.5 x 29.0 | TY15CP_6 | 120 | | |
| TY15X15NP_6 | 1.5 x 1.5 narrow slot duct | 1.75 x 1.60 | 44.5 x 40.6 | | 120 | | |
| TY15X2NP_6 | 1.5 x 2 narrow slot duct | 1.75 x 2.10 | 44.5 x 53.3 | | 120 | | |
| TY15X3NP_6 | 1.5 x 3 narrow slot duct | 1.75 x 3.05 | 44.5 x 77.5 | | 120 | | |
| TY15X4NP_6 | 1.5 x 4 narrow slot duct | 1.75 x 4.37 | 44.5 x 111.0 | | 60 | | |
| TY2X1NP_6 | 2 x 1 narrow slot duct | 2.25 x 1.24 | 57.2 x 31.5 | TY2CP_6 | 120 | | |
| TY2X15NP_6 | 2 x 1.5 narrow slot duct | 2.25 x 1.70 | 57.2 x 43.2 | | 120 | | |
| TY2X2NP_6 | 2 x 2 narrow slot duct | 2.25 x 2.19 | 57.2 x 55.6 | | 120 | | |
| TY2X3NP_6 | 2 x 3 narrow slot duct | 2.25 x 3.14 | 57.2 x 79.8 | | 60 | | |
| TY2X4NP_6 | 2 x 4 narrow slot duct | 2.25 x 4.46 | 57.2 x 113.3 | | 60 | | |
| TY2X5NP_6 | 2 x 5 narrow slot duct | 2.25 x 5.15 | 57.2 x 130.8 | 60 | | | |
| TY25X2NP_6 | 2.5 x 2 narrow slot duct | 2.75 x 2.19 | 69.9 x 55.6 | TY25CP_6 | 120 | | |
| TY25X3NP_6 | 2.5 x 3 narrow slot duct | 2.75 x 3.14 | 69.9 x 79.8 | | 60 | | |
| TY25X4NP_6 | 2.5 x 4 narrow slot duct | 2.75 x 4.46 | 69.9 x 113.3 | | 60 | | |
| TY3X1NP_6 | 3 x 1 narrow slot duct | 3.25 x 1.24 | 82.6 x 31.5 | TY3CP_6 | 120 | | |
| TY3X2NP_6 | 3 x 2 narrow slot duct | 3.25 x 2.19 | 82.6 x 55.6 | | 60 | | |
| TY3X3NP_6 | 3 x 3 narrow slot duct | 3.25 x 3.14 | 82.6 x 79.8 | | 60 | | |
| TY3X4NP_6 | 3 x 4 narrow slot duct | 3.25 x 4.46 | 82.6 x 113.3 | | 60 | | |
| TY3X5NP_6 | 3 x 5 narrow slot duct | 3.25 x 5.15 | 82.6 x 130.8 | | 60 | | |
| TY4X2NP_6 | 4 x 2 narrow slot duct | 4.25 x 2.19 | 108.0 x 55.6 | TY4CP_6 | 60 | | |
| TY4X3NP_6 | 4 x 3 narrow slot duct | 4.25 x 3.14 | 108.0 x 79.8 | | 60 | | |
| TY4X4NP_6 | 4 x 4 narrow slot duct | 4.25 x 4.46 | 108.0 x 113.3 | | 30 | | |
| TY4X5NP_6 | 4 x 5 narrow slot duct | 4.25 x 5.15 | 108.0 x 130.8 | | 30 | | |

| | |
|---------------------------------|--|
| _ = space for colour identifier | |
| G = Grey | |
| W = White | |
| B = Black | |
| I = Intrinsic Blue | |

Standard lengths are 6 feet.

Catalogue Number must be completed by adding suffix **G** for Grey, **W** for White, **I** for Intrinsic Blue, **B** for Black.
 Example: **TY75X1NPG6** is a 0.75 in. x 1 in. solid wall **grey** duct.

To order duct **without mounting holes**, add suffix **NM** to catalogue number.
 Example: **TY75X1WPG6NM** is a 0.75 in. x 1 in. solid wall grey duct with **no mounting holes**.

To order **Adhesive-Backed Duct**, add suffix **A** to catalogue number.
 Example: **TY75X1WPG6A** is a 0.75 in. x 1 in. solid wall grey duct with **adhesive backing**. Shelf life for adhesive is 1 year.

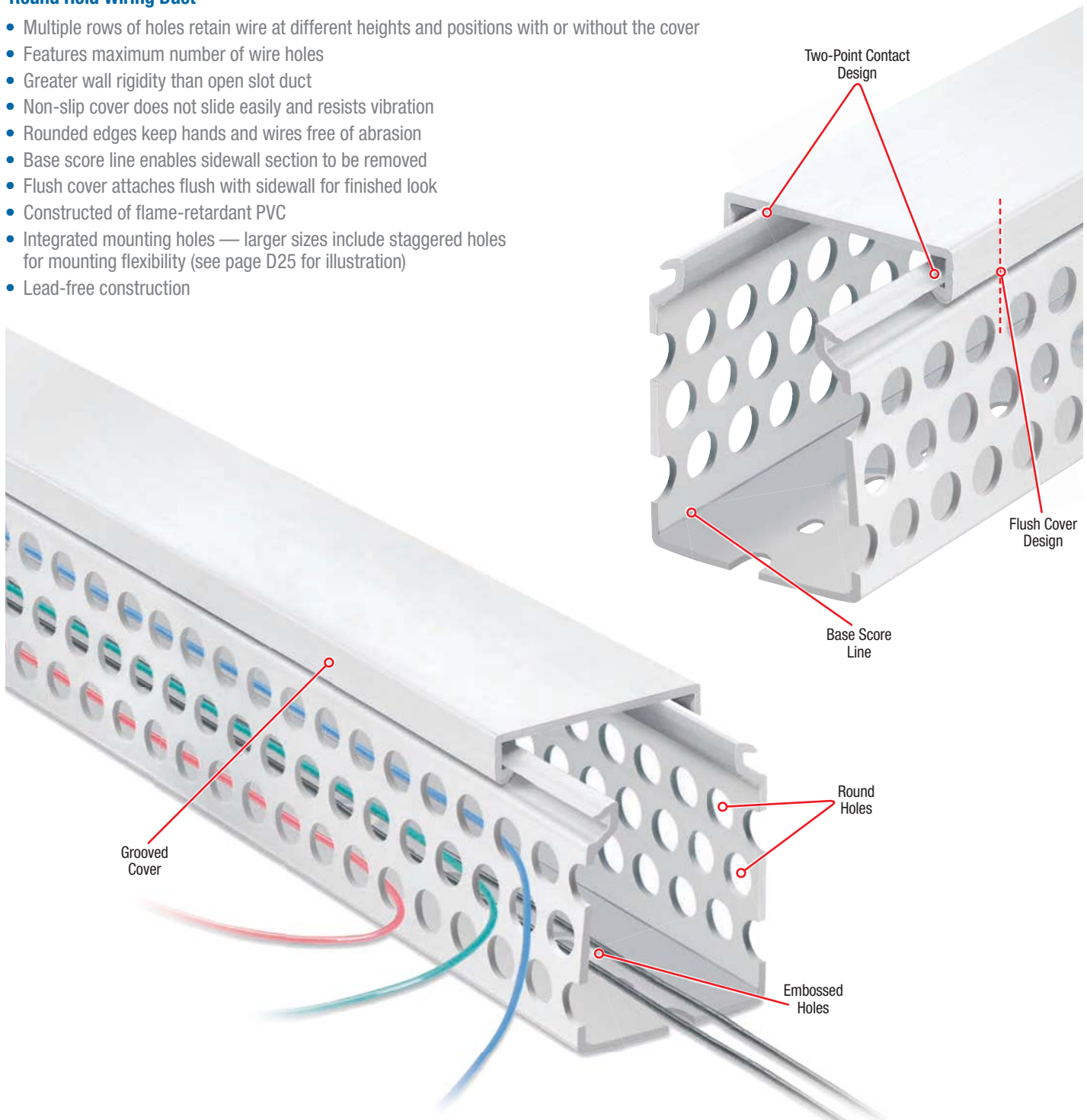
PVC vinyl duct is UL Recognized , CSA Certified and CE Compliant

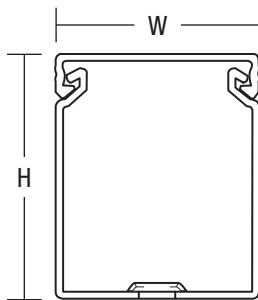
Round Hole Wiring Duct

Holes retain and support wires at different heights!

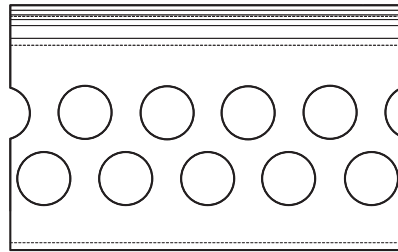
Round Hold Wiring Duct

- Multiple rows of holes retain wire at different heights and positions with or without the cover
- Features maximum number of wire holes
- Greater wall rigidity than open slot duct
- Non-slip cover does not slide easily and resists vibration
- Rounded edges keep hands and wires free of abrasion
- Base score line enables sidewall section to be removed
- Flush cover attaches flush with sidewall for finished look
- Constructed of flame-retardant PVC
- Integrated mounting holes — larger sizes include staggered holes for mounting flexibility (see page D25 for illustration)
- Lead-free construction



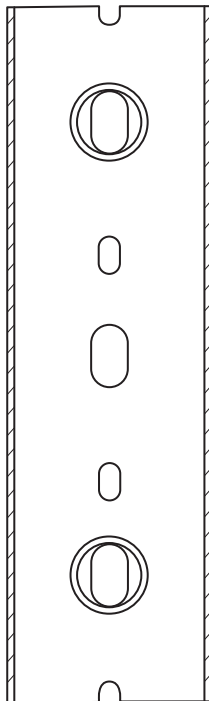


Front View w/Cover



Side View

For a complete listing of Round Hole dimensional details, see page D25



Bottom View



| Cat. No. | Description (in.) | Size (W x H) | | Cover Cat. No. | Duct Std. Ctn. Qty. | Cover Std. Ctn. Qty. | Length (ft.) |
|-----------------------------|---------------------------|--------------|---------------|--------------------------|-------------------------|----------------------|--------------|
| | | in. | mm | | | | |
| TY1X15RP_6 | 1 x 1.5 round hole duct | 1.25 x 1.60 | 31.8 x 40.6 | TY1CP_6 | 120 | 120 | 6 |
| TY1X2RP_6 | 1 x 2 round hole duct | 1.25 x 2.10 | 31.8 x 53.3 | | 120 | | |
| TY1X3RP_6 | 1 x 3 round hole duct | 1.25 x 3.05 | 31.8 x 77.5 | | 120 | | |
| TY1X4RP_6 | 1 x 4 round hole duct | 1.25 x 4.37 | 31.8 x 111.0 | | 60 | | |
| TY15X15RP_6 | 1.5 x 1.5 round hole duct | 1.75 x 1.60 | 44.5 x 40.6 | TY15CP_6 | 120 | | |
| TY15X2RP_6 | 1.5 x 2 round hole duct | 1.75 x 2.10 | 44.5 x 53.3 | | 120 | | |
| TY15X3RP_6 | 1.5 x 3 round hole duct | 1.75 x 3.05 | 44.5 x 77.5 | | 120 | | |
| TY15X4RP_6 | 1.5 x 4 round hole duct | 1.75 x 4.37 | 44.5 x 111.0 | | 60 | | |
| TY2X15RP_6 | 2 x 1.5 round hole duct | 2.25 x 1.70 | 57.2 x 43.2 | TY2CP_6 | 120 | | |
| TY2X2RP_6 | 2 x 2 round hole duct | 2.25 x 2.19 | 57.2 x 55.6 | | 120 | | |
| TY2X3RP_6 | 2 x 3 round hole duct | 2.25 x 3.14 | 57.2 x 79.8 | | 60 | | |
| TY2X4RP_6 | 2 x 4 round hole duct | 2.25 x 4.46 | 57.2 x 113.3 | | 60 | | |
| TY3X2RP_6 | 3 x 2 round hole duct | 3.25 x 2.19 | 82.6 x 55.6 | TY3CP_6 | 60 | | |
| TY3X3RP_6 | 3 x 3 round hole duct | 3.25 x 3.14 | 82.6 x 79.8 | | 60 | | |
| TY3X4RP_6 | 3 x 4 round hole duct | 3.25 x 4.46 | 82.6 x 113.3 | | 60 | | |
| TY4X15RP_6 | 4 x 1.5 round hole duct | 4.25 x 1.70 | 108.0 x 43.2 | | TY4CP_6 | | |
| TY4X2RP_6 | 4 x 2 round hole duct | 4.25 x 2.19 | 108.0 x 55.6 | 60 | | | |
| TY4X3RP_6 | 4 x 3 round hole duct | 4.25 x 3.14 | 108.0 x 79.8 | 60 | | | |
| TY4X4RP_6 | 4 x 4 round hole duct | 4.25 x 4.46 | 108.0 x 113.3 | 30 | | | |

| | |
|----------------------------------|--|
| __ = space for colour identifier | |
| G = Grey | |
| W = White | |
| B = Black | |
| I = Intrinsic Blue | |

Standard lengths are 6 feet.

Catalogue Number must be completed by adding suffix **G** for Grey, **W** for White, **I** for Intrinsic Blue, **B** for Black.
Example: **TY1X15RPG6** is a 1 in. x 1.5 in. round hole **grey** duct.

To order duct **without mounting holes**, add suffix **NM** to catalogue number.
Example: **TY1X15RPG6NM** is a 1 in. x 1.5 in. round hole grey duct with **no mounting holes**.

To order **Adhesive-Backed Duct**, add suffix **A** to catalogue number.
Example: **TY1X15RPG6A** is a 1 in. x 1.5 in. round hole grey duct with **adhesive backing**.

PVC vinyl duct is UL Recognized , CSA Certified and CE Compliant