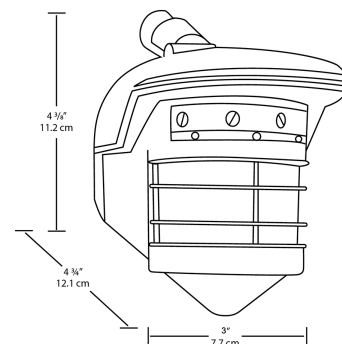


# STL360 RCL

Super Stealth Sensor with Total 360 + 180 "Can't Miss" Coverage, Surge Protection, Scanning LEDs, Evening Timer and Color Matched Lens, universal CU4 cover plate included.

Color: Bronze

Weight: 1.7 lbs



## Technical Specifications

### cUL Listing:

Suitable for wet locations.

### Voltage:

120 volts AC 60 Hz.

### Power Consumption:

1 watt.

### Time Adjustment:

5 seconds to 12 minutes.

### Scanning LEDs:

3 LEDs continually scan back-and-forth.

### Surge Protection:

Withstands up to 6000 volts.

### Wide Sensitivity Control:

Adjustable from 100% to 30%.

### Temperature Compensation:

Sensitivity adjusted automatically for consistent detection in hot and cold ambient temperatures.

### Mounting:

CU4 plate allows the sensor to be mounted under a soffit.

### Wall Switch Manual Override:

Two flip logic prevents activation by momentary power outages. Override resets to auto at dawn. No extra wiring needed.

### Evening Timer:

Keeps lights on for 1-8 hours after dusk. Then sensor is motion activated until dawn.

### Set it and forget it:

STL360's full coverage pattern reduces need for aiming and adjustment.

### Advanced Detection Logic:

Minimizes false triggers.

### Color Matched Lens:

Dark lens with bronze units, white lens with white units.

### Lens Masks:

Customized press apply lens mask included to reduce coverage easily.

### RF Immunity:

Circuits fully shielded for maximum radio frequency immunity.

### Photoelectric Control:

Deactivates lights during daylight. fully adjustable for 24 hour operation or custom applications.

### Detection:

Senses 180° and 360° down for Total Detection.

### Switching Capacity:

8 amps, 1000 watts incandescent @ 120 volts.

### Patents:

RC sensor and fixture designs are protected under Canadian and International Intellectual Property laws.

### Warranty:

10 year sensor warranty.