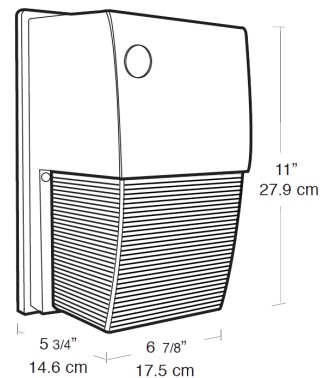


# WPTF42QT RCL

28 thru 42 Watt compact fluorescent Tallpack. Vandal resistant polycarbonate housing. Heavy die-cast aluminum back plate with 1/2" bottom and back conduit opening. Factory installed 120V photocell with bypass cap included. Operating temperature 28w (-20&deg;F), 26, 32 & 42w(0&deg;F). Lamp supplied.

Color: Bronze

Weight: 4.6 lbs



## Lamp Info

Type: 42W Triple  
 Watts: 42W  
 Shape/Size: N/A  
 Base: N/A  
 ANSI: N/A  
 Hours: 10,000  
 Lamp Lumens: 3,000  
 Efficacy: 65 LPW

## Ballast Info

Type: Elec HPF QT  
 120V: 0.38A  
 208V: 0.3A  
 240V: 0.2A  
 277V: 0.17A  
 Input Watts: 46W  
 Efficiency: 91%

## Technical Specifications

### cUL Listing:

Suitable for wet locations.

### Reflector:

Die formed aluminum for wide light distribution.  
 Moveable Glare Shield for field adjustable light control  
 slanted slightly downward for more light on the job.

### Ballast Housing:

Stamped steel painted white.

### Back Plate:

Heavy die cast aluminum. 1/2" bottom conduit knockout.  
 Knockouts for mounting to 3" or 4" junction boxes.

### Housing and Refractor:

Vandal resistant polycarbonate molded refractor. Die cast aluminum back plate.

### Ballast Minimum Starting Temperature:

0°F.

### Patents:

The unique RC Tallpack is protected by Canada Patent D121,993, U.S. Patent D569,029; China Patent ZL200730149211.2; Taiwan Patent D124,864.