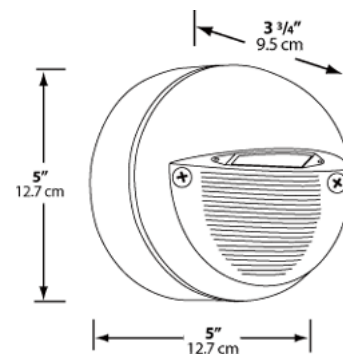


WPLEDR5 RCL

LED 5W Wallpacks. Patent Pending thermal management system.
100,000 hour L70 lifespan. 5 Year Warranty.

Color: Bronze

Weight: 1.6 lbs



LED Info

Watts: 5W
Color Temp: 5000K (Cool)
Color Accuracy: 68
L70 Lifespan: 100000
LM79 Lumens: 213
Efficacy: 41 LPW

Driver Info

Type: Constant Current
120V: 0.18A
208V: 0.18A
240V: 0.18A
277V: N/A
Input Watts: 5W
Efficiency: 96%

Technical Specifications

cUL Listing:

Suitable for wet locations in downlight position only.
Suitable for mounting within 1.2m (4ft) of the ground.

Lifespan:

100,000-hour LED lifespan based on IES LM-80 results and TM-21 calculations.

LEDs:

5W, high-output, long-life LED.

Drivers:

Constant current, Class 2, 100 - 240VAC, 50 - 60 Hz, 0.18 Amps.

Fixture Efficacy:

41 Lumens per Watt

Ambient Temperature:

Suitable for use in 40°C ambient temperatures.

Surge Protection:

1 KV

Cold Weather Starting:

The minimum starting temperature is -40°F/-40°C.

Thermal Management:

Integral cast aluminum mounting pad for optimum heat sinking to ensure cool operation with maximum LED life and light output.

Housing:

Precision die cast aluminum housing and mounting plate. 1 1/2" backbox with three 1/2" conduit entry points.

Gaskets:

High temperature silicone gaskets.

Finish:

Our environmentally friendly polyester powder coatings are formulated for high-durability and long-lasting color, and contains no VOC or toxic heavy metals.

Color Accuracy:

68 CRI

Color Temperature (Nominal CCT):

5000K

Color Consistency:

7-step MacAdam Ellipse binning to achieve consistent fixture-to-fixture color.

Color Stability:

LED color temperature is warrantied to shift no more than 200K in CCT over a 5 year period.

Color Uniformity:

RC's range of CCT (Correlated color temperature) follows the guidelines of the American National Standard for Specifications for the Chromaticity of Solid State Lighting (SSL) Products, ANSI C78.377-2008.

Equivalency:

The WPLED5 is Equivalent in delivered lumens to a 13W CFL or 60W incandescent.

Green Technology:

Mercury and UV free.

IESNA LM-79 & IESNA LM-80 Testing:

RC LED luminaires have been tested by an independent laboratory in accordance with IESNA LM-79 and 80, and have received the Department of Energy "Lighting Facts" label.

WPLEDR5 RCL - continued

California Title 24:

See WPLEDR5/PCS for a 2013 California Title 24 compliant model.

Warranty:

RC warrants that our LED products will be free from defects in materials and workmanship for a period of five (5) years from the date of delivery to the end user, including coverage of light output, color stability, driver performance and fixture finish.

ADA:

WPLEDR5 meets the requirements of the Americans with Disabilities Act (ADA).

Patents:

The WPLED design is protected by patents pending in the U.S., Canada, China, Taiwan and Mexico.

