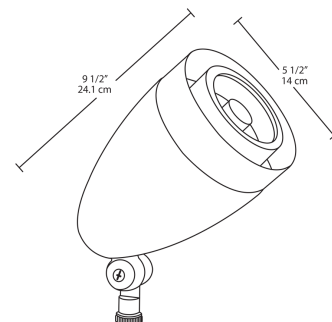


HSLED13B RCL

Bullet shape die cast aluminum flood with spotlighting for over 40 feet away. 13 Watt LED High Performance Light Engine.

Color: Black

Weight: 3.5 lbs



LED Info

Watts: 13W
 Color Temp: 5100K (Cool)
 Color Accuracy: 67
 L70 Lifespan: 100000
 LM79 Lumens: 787
 Efficacy: 51 LPW

Driver Info

Type: Constant Current
 120V: 0.13A
 208V: 0.08A
 240V: 0.07A
 277V: 0.06A
 Input Watts: 15W
 Efficiency: 85%

Technical Specifications

cUL Listing:

Suitable for wet locations. Suitable for mounting within 1.2m (4ft) of the ground.

Lifespan:

100,000-hour LED lifespan based on IES LM-80 results and TM-21 calculations.

Spotlight Distribution:

Beam Angle of 11° and Field Angle of 24° enables the HSLED to produce a very narrow spot distribution.

LEDs:

13 Watt high output, long-life LED.

Driver:

Constant Current, Class 2, 100-277V, 50-60Hz, 100-240VAC 0.3-0.15A, 277VAC 0.15A.

THD:

20.6% at 120V

Lumen Maintenance:

100,000 hours Life Based on LM-80 Tests.

Fixture Efficacy:

52 Lumens per Watt

Surge Protection:

4kV

NEMA Type:

2H x 2v Beam Spread.

Ambient Temperature:

Suitable for use in 40°C ambient temperatures.

Cold Weather Starting:

The minimum starting temperature is -40°F/-40°C.

Color Consistency:

7-step MacAdam Ellipse binning to achieve consistent fixture-to-fixture color.

Color Stability:

LED color temperature is warranted to shift no more than 200K in CCT over a 5 year period.

Color Accuracy:

67 CRI

Color Temperature (Nominal CCT):

5100K

Color Uniformity:

RC's range of CCT (Correlated Color Temperature) follows the guidelines of the American National Standard for (SSL) Products, ANSI C78.377-2008.

Thermal Management:

Cast aluminum patent pending Thermal Management system for optimal heat sinking. The HSLED is designed for cool operation, most efficient output and maximum LED life by minimizing LED junction temperature.

Housing:

Precision die-cast aluminum housing, hood and mounting arm.

Gaskets:

High Temperature Silicone.

Finish:

Our environmentally friendly polyester powder coatings are formulated for high-durability and long-lasting color, and contains no VOC or toxic heavy metals.

Warranty:

RC warrants that our LED products will be free from defects in materials and workmanship for a period of five (5) years from the date of delivery to the end user, including coverage of light output, color stability, driver performance and fixture finish.

Green Technology:

Mercury and UV free, and RoHS compliant.

IESNA LM-79 & IESNA LM-80 Testing:

RC LED luminaires have been tested by an independent laboratory in accordance with IESNA LM-79 and 80, and have received the Department of Energy "Lighting Facts" label.

Patents:

The design of the HSLED is protected by Taiwan Patent 01510965 and patents pending in US, Canada, China, and Mexico.