

SLIM57 RCL

37, 57 and 62 Watt SLIM Wallpacks are designed to cover the footprint of most traditional wallpacks. They are suitable for mounting heights from 20' to 30', and replace HID Wattages from 200W MH to 320W MH. These ultra-high efficiency fixtures are available in cutoff or full cutoff models.

LED Info

Watts: 57W
 Color Temp: 5000K (Cool)
 Color Accuracy: 74
 L70 Lifespan: 100000
 LM79 Lumens: 4,312
 Efficacy: 76 LPW

Driver Info

Type: Constant Current
 120V: 0.48A
 208V: 0.32A
 240V: 0.28A
 277V: 0.24A
 Input Watts: 57W
 Efficiency: 101%

Technical Specifications

cUL Listing:

Suitable for wet locations. Wall Mount only.

Footprint:

Designed to replace RC HID WP2 wallpacks, both in size and footprint template, so upgrading to LED is easy and seamless.

IP Rating:

Ingress Protection rating of IP66 for dust and water.

LED:

Long-life, high-efficiency, micro-power, surface mount LEDs; binned and mixed for uniform light output and color.

Lifespan:

100,000-hour LED lifespan based on IES LM-80 results and TM-21 calculations.

Driver:

Two Drivers, Constant Current, Class 2, 100-277V, 50/60Hz, 720mA, 100-277VAC 0.8A, 6kV Surge Protection, Power Factor 99%.

THD:

13.7% at 120V

Correlated Color Temp. (Nominal CCT):

5000K

Cold Weather Starting:

The minimum starting temperature is -40°F/-40°C.

Ambient Temperature:

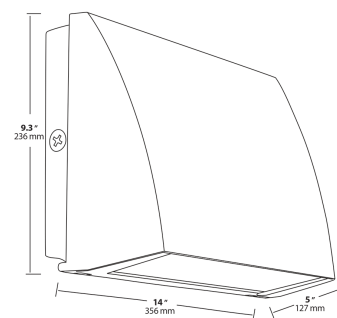
Suitable for use in 40°C (104°F) ambient temperatures.

Thermal Management:

Superior thermal management with internal Air-Flow fins.

Color: Bronze

Weight: 11.0 lbs



Housing:

Precision die-cast aluminum housing and door frame.

Mounting:

Die-cast back box with four (4) conduit entry points and knockout pattern for junction box or direct wall mounting. Hinged housing and bubble level for easy installation.

Cutoff:

Cutoff (7.5°)

Recommended Mounting Height:

Up to 25 ft.

HID Replacement Range:

The SLIM57 can be used to replace 250W MH based on delivered lumens.

Lens:

Microprismatic diffusion glass lens reduces glare and has smooth and even light distribution.

Reflector:

Specular thermoplastic.

Gaskets:

The unique design of the tight-lock gasket ensures no water or environmental elements will ever get inside the SLIM.

DLC Listed:

This product is on the Design Lights Consortium (DLC) Qualified Products List and is eligible for rebates from DLC Member Utilities.

Accessories:

Available accessories include polyshield and wire guard. Click to see all accessories.



SLIM57 RCL - continued

Finish:

Our environmentally friendly polyester powder coatings are formulated for high-durability and long-lasting color, and contains no VOC or toxic heavy metals.

Color Stability:

LED color temperature is warranted to shift no more than 200K in CCT over a 5 year period.

Color Consistency:

7-step MacAdam Ellipse binning to achieve consistent fixture-to-fixture color.

Green Technology:

Mercury and UV free, and RoHS compliant.

IESNA LM-79 & LM-80 Testing:

RC LED luminaires have been tested by an independent laboratory in accordance with IESNA LM-79 and LM-80, and have received the Department of Energy "Lighting Facts" label.

Patents:

The design of the SLIM™ is protected by patents pending in US, Canada, China, Taiwan and Mexico.

Warranty:

RC warrants that our LED products will be free from defects in materials and workmanship for a period of five (5) years from the date of delivery to the end user, including coverage of light output, color stability, driver performance and fixture finish.

: