

FS and FD Three-Gang Cast Device Boxes: Malleable Iron, Aluminum

Unilets for Use with Threaded Rigid Conduit and IMC.
All Device Boxes have Ridge Top Construction.

ILLUSTRATION	SIZE	STD. PKG.	FERROUS ALLOY		††COPPER-FREE ALUMINUM	
			Catalogue Number	Wt. lbs.	Catalogue Number	Wt. lbs.

FS Three-Gang Bodies



3/4	5	FSC-23 Shallow	3.60	FSC-23A Shallow	1.20
1	5	FDC-33 Deep	4.00	FDC-33A Deep	1.33

ILLUSTRATION	Catalogue Number	Description	Std. PKG.	Wt. lbs. Per 100
--------------	------------------	-------------	-----------	------------------

Three-Gang Covers



FS-43* Blank Cover, Steel – Electrogalvanized 20 27



FS-63* Duplex Receptacle Cover, Steel – Electrogalvanized 20 23



FS-93* Tumbler Switch, Steel – Electrogalvanized 20 25



FS-699* Combination Duplex Receptacle and Tumbler Switch Cover, Steel – Electrogalvanized 20 25



FS-669* Combination Duplex Receptacle and Tumbler Switch Cover, Steel – Electrogalvanized 20 25

Vaportight Covers

Furnished with gasket and stainless steel screws

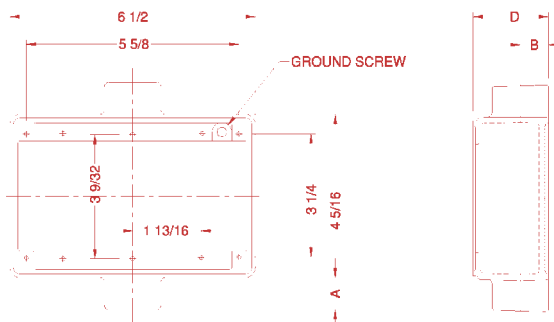


FS-300g* Blank Cover, Ferrous Alloy 10 120



FS-1283†† Aluminum Cover external operation of Tumbler Switches. Push Pull operation, “ON” or “OFF” 10 330

Dimensions for Three-Gang Devices



Hub Size	A	B	C	D		E
				FS	FD	
1/2	3/4	5/8	1-3/8	2	2-3/4	2-3/16
1	7/8	7/8	1-1/4	2	2-3/4	2-3/16

* Available in Aluminum: Add suffix “A” to Catalog No. †† Maximum copper content less than 4/10 of 1%.

FS and FD Four-Gang Cast Device Boxes: Malleable Iron, Aluminum

Unilets for Use with Threaded Rigid Conduit and IMC.
All Device Boxes have Ridge Top Construction.






ILLUSTRATION	SIZE	STD. PKG.	FERROUS ALLOY
FS Four-Gang Bodies			
	3/4"	5	See FDO-4 on page B-16

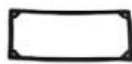
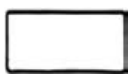
ILLUSTRATION	Catalogue Number	Description
Four-Gang Covers		
	FS-44*	Blank Cover, Steel – Electrogalvanized. Fits FSC-24
	FS-64*	Duplex Receptacle Cover, Steel – Electrogalvanized. Fits FSC-24
	FS-94*	Tumbler Switch Cover, Steel – Electrogalvanized. Fits FSC-24
	FK-94*	Tumbler Switch Cover, Steel – Electrogalvanized. Fits FDO-4 listed on page 16
* Above covers attach to devices		

Vaportight Covers

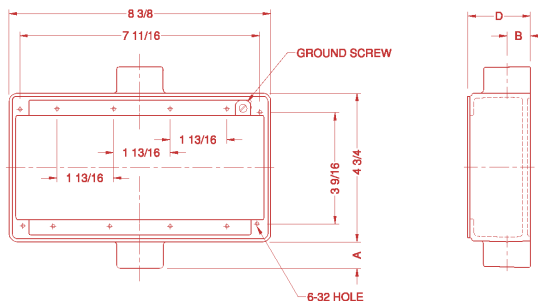
Furnished with gasket and stainless steel screws

	FS-400G FK-400G	FS-400G*	Blank Cover, Ferrous Alloy. Fits FSC-24
		FK-400G*	Blank Cover, Ferrous Alloy. Fits FDO-4 on page 16
* Above covers attach to box			

Gaskets

	FS4-GK FK4-GK	FK4-GK	For Covers for FDO-4 Unilets – Sponge Neoprene
	FS4-OGK	FS4-OGK	For FS-400G and FS-1284 Covers with Gasket Mounting Groove

Dimensions FS and FD Unilets



Hub Size	A	B	C	D	
				FS	FD
1/2	3/4	5/8	1-3/8	2	2-3/4
1	7/8	7/8	1-1/4	2	2-3/4

* Available in Aluminum: Add suffix "A" to Catalog No. Cast Covers are copper free (Max copper content less than 4/10 of 1%).