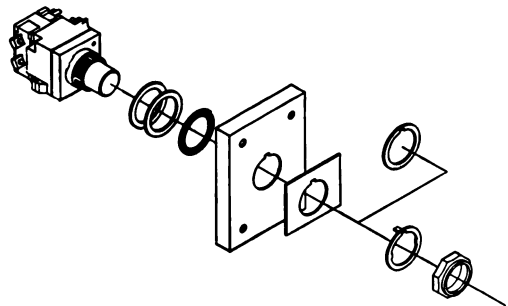
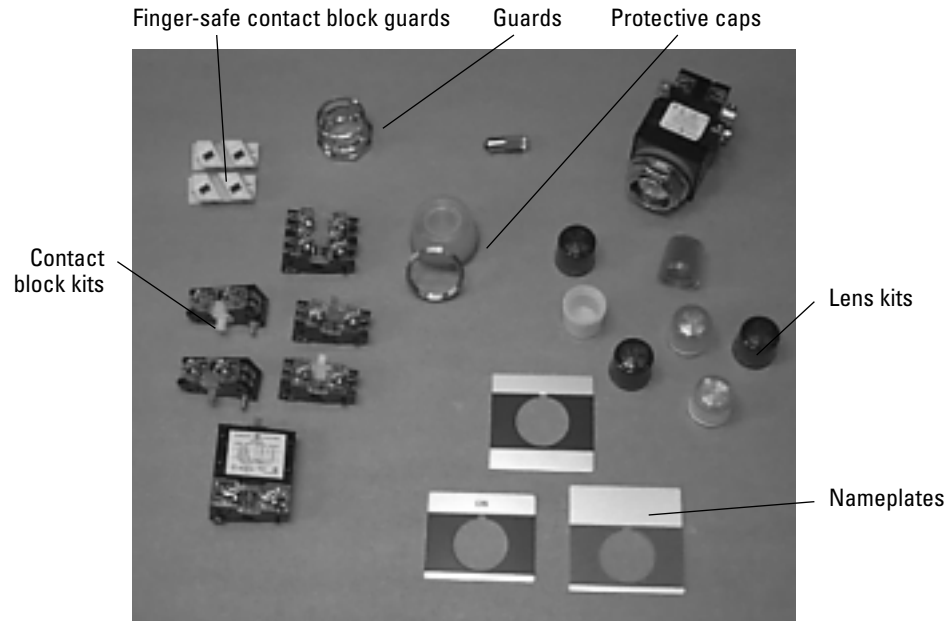


Illuminated Push Buttons

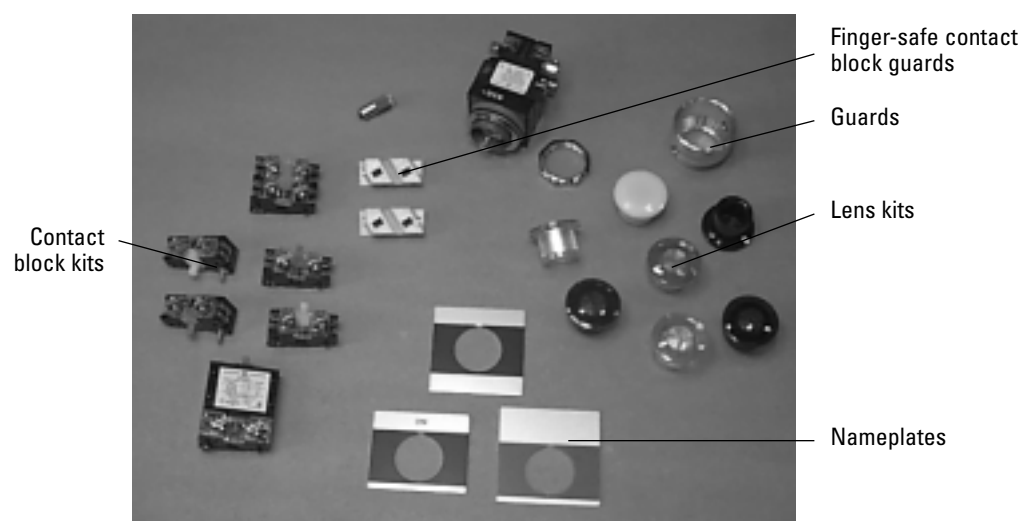


- Lens Cap**
 - Interchangeable, threaded-on design
 - 6 colors: red, green, yellow, amber, blue, white + clear
- Mushroom Head**
 - 1 3/8"
 - 6 colors: red, green, yellow, amber, blue, white + clear
- Mounting Ring**
 - Standard or guarded
- Lamp**
 - Incandescent, LED, neon
- Power Supply**
 - 3 types: Full voltage, transformer, resistor
- Contact Blocks**
 - Color coded for quick installation
 - Maximum of 4 single or 2 double contact blocks
 - Visible contacts for easy, accurate inspections
 - Special applications: early close, late open, gold flashed, reed switch

Accessories for push buttons



Accessories for mushroom-head push buttons



Illuminated Push Buttons

Type		Contacts		Lens Color		Ring	Lamp	Voltage
C	R	1	0	4	P	B		

L = Full voltage
R = Resistor
T = Transformer

00 = None
10 = 1NO
01 = 1NC
11 = 1NO/1NC
92 = 2NO/2NC

F = Flashing
L = LED
N = Neon
S = Standard

2 = 120V
3 = 240V
4 = 480V
5 = 600V
6 = 6V
7 = 12V
8 = 24V

Availability	
Standard	Mushroom-head
1 = Extended	
3 = With guard	
5 = 1 3/8" (35mm)	

Other forms available:

- Push-on, push-off
- 2-position push-pull mushroom-head
- 3-position push-pull mushroom-head
- Dual input (120v)

Available Combinations

Power Supply	Lamp	Lens Color Code (Digit 4)	Voltage						
			6	12	24	120	240	480	600
Full Voltage	Incandescent	All							
	LED	E,G,M,R							
	Neon	R,W,C							
	Flashing	All							
	Resistor	All							
Transformer	Incandescent	All							
	LED	E,G,M,R							
	Flashing	All							

Availability	
Standard	Mushroom-head

A = No lens/cap
C = Clear
E = Yellow
G = Green
L = Blue
M = Amber
R = Red
W = White

Tip for Quick Service: For small quantity orders of illuminated operators in colors other than red or green, order operator with red/green lens and order other color lenses separately.