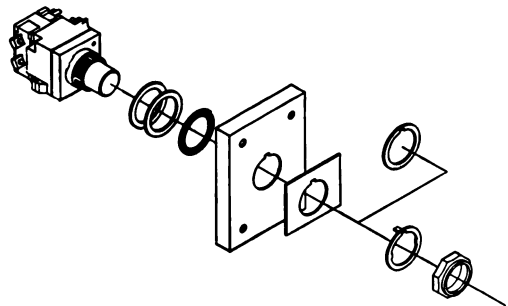
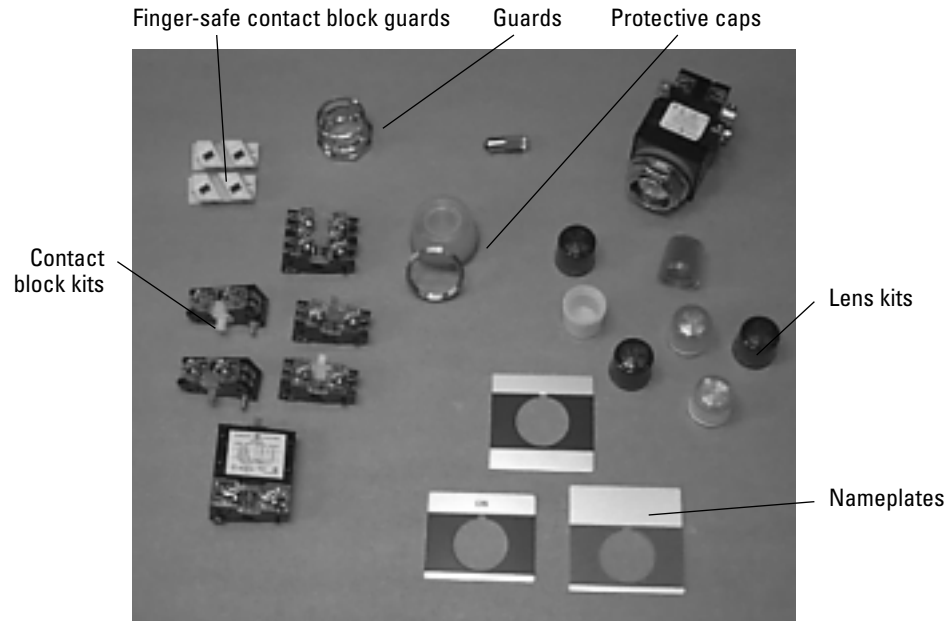


# Illuminated Push Buttons

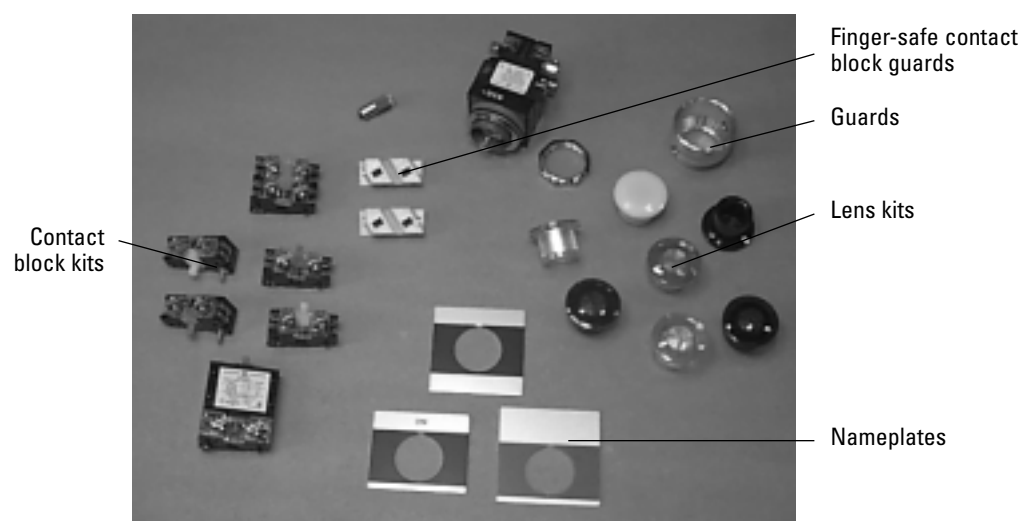


- Lens Cap**
  - Interchangeable, threaded-on design
  - 6 colors: red, green, yellow, amber, blue, white + clear
- Mushroom Head**
  - 1 3/8"
  - 6 colors: red, green, yellow, amber, blue, white + clear
- Mounting Ring**
  - Standard or guarded
- Lamp**
  - Incandescent, LED, neon
- Power Supply**
  - 3 types: Full voltage, transformer, resistor
- Contact Blocks**
  - Color coded for quick installation
  - Maximum of 4 single or 2 double contact blocks
  - Visible contacts for easy, accurate inspections
  - Special applications: early close, late open, gold flashed, reed switch

## Accessories for push buttons



## Accessories for mushroom-head push buttons



# Illuminated Push Buttons

Type		Contacts		Lens Color		Ring	Lamp	Voltage
<b>C</b>	<b>R</b>	<b>1</b>	<b>0</b>	<b>4</b>	<b>P</b>	<b>B</b>		

**L** = Full voltage  
**R** = Resistor  
**T** = Transformer

**00** = None  
**10** = 1NO  
**01** = 1NC  
**11** = 1NO/1NC  
**92** = 2NO/2NC

**F** = Flashing  
**L** = LED  
**N** = Neon  
**S** = Standard

**2** = 120V  
**3** = 240V  
**4** = 480V  
**5** = 600V  
**6** = 6V  
**7** = 12V  
**8** = 24V

Availability	
Standard	Mushroom-head
<b>1</b> = Extended	
<b>3</b> = With guard	
<b>5</b> = 1 3/8" (35mm)	

**Other forms available:**

- Push-on, push-off
- 2-position push-pull mushroom-head
- 3-position push-pull mushroom-head
- Dual input (120v)

**Available Combinations**

Power Supply	Lamp	Lens Color Code (Digit 4)	Voltage						
			6	12	24	120	240	480	600
Full Voltage	Incandescent	All							
	LED	E,G,M,R							
	Neon	R,W,C							
	Flashing	All							
	Resistor	All							
Transformer	Incandescent	All							
	LED	E,G,M,R							
	Flashing	All							

Availability	
Standard	Mushroom-head

**A** = No lens/cap  
**C** = Clear  
**E** = Yellow  
**G** = Green  
**L** = Blue  
**M** = Amber  
**R** = Red  
**W** = White

**Tip for Quick Service:** For small quantity orders of illuminated operators in colors other than red or green, order operator with red/green lens and order other color lenses separately.