

Cable Management Horizontal Cable Manager S-Series Rail Mounted

HUBBELL



Features

- Cable fingers align with patch panel adaptors to prevent patch cord kinks
- Steel construction provides ample strength for heavy cable loading
- Door is removeable to allow for easy addition of patch cords



Ordering Information

Rack Units	Depth	Catalog Number	UPC
1 RU	3"	HS13C	662620249810

Listings

EIA/ECA-310-E Universal Mounting Pattern

Specifications

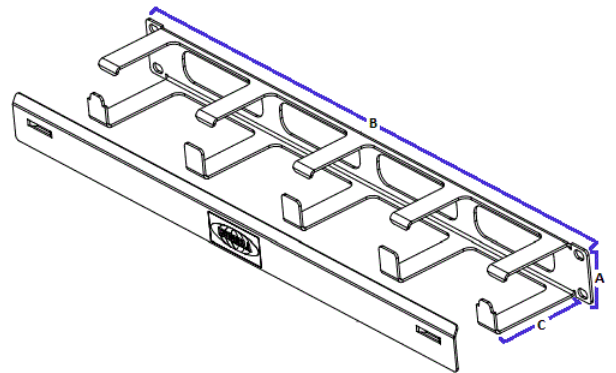
Material	Steel
Gauge	14
Finish	Black Powder Coated

Characteristics

Cover	Included, Lift off
Pass through holes	Standard
Corresponding Vertical Cbl Mgr	VS Series

Accessories

Replacement Cover, 1U	HS1C
Black Velcro Roll	HVFBK575
9" Velcro Strips, Yellow	MCCMV9YL10



Dimensions- inches (mm)

A	1 RU, 1.75" (44)
B	19" (483)
C	3" (76)

Online Resources

Customer Drawings
eCatalog