



KDB/KB SERIES

KILLARK

DRAINS / BREATHERS / FLAME ARRESTORS



KDB-1 KB1B KB1D

ATEX/IEC Ex Certified

- ① See chart below for suitability
- ② Warning – not for use in acetylene atmosphere

Class I, Div. 1 & 2, Groups B[Ⓛ], C, D
 Class I, Zones 1 & 2, Groups IIB + H₂[Ⓛ]
 Class II, Div. 1 & 2, Groups E, F, G
 Class III, NEMA Type 3
 II 2 G Ex d IIB IIC[Ⓛ] T226C Gb IP44
 Ta = -50°C to +60°C



UL LISTED - File E10514
 cSPUS Certified - File LR11716
 FM APPROVED Certified File 25215
 IEC Ex CSA 10.0007U
 SIRA 10ATEX1351U

KB/KD SERIES DRAIN & BREATHERS

Applications

When installed in the top of an enclosure, these fittings act as breathers which allows air flow through the enclosure. Bottom installations permit water from condensation

to drain from the enclosure continuously. The drains and breathers are offered in a variety of hub sizes, 1/4, 3/8 & 1/2 inch NPT and metric M16 & M20.

Body Material

Aluminum with optional stainless steel or brass available for special orders.

Volume

For use in enclosures with a maximum internal volume to 9526 cubic inches or 160 liters.

CATALOG NUMBER	THREAD SIZE	BODY MATERIAL	THIRD PARTY	SUITABILITY USA	THIRD PARTY	SUITABILITY CANADA	THIRD PARTY	SUITABILITY ATEX/IEC Ex
KB1B BREATHER KB1D DRAIN KB1BCEN BREATHER KB1DCEN DRAIN KBM20BCEN BREATHER KBM20DCEN DRAIN	1/2 NPT 1/2 NPT 1/2 NPT 1/2 NPT M20 M20	ALUMINUM ALUMINUM ALUMINUM ALUMINUM ALUMINUM ALUMINUM	UL, FM & CSAus UL, FM & CSAus CSAus CSAus CSAus CSAus	CLASS I GROUPS B, C & D CLASS I, ZONES 1 & 2 GR IIB+H ₂ CLASS II GROUPS E, F, & G CLASS III ENCL TYPE 3	c CSA c CSA c CSA c CSA c CSA c CSA	CLASS I GROUPS C & D CLASS I, ZONES 1 & 2 GR IIB CLASS II GROUPS E, F & G CLASS III ENCL TYPE 3	SIRA/CSA SIRA/CSA SIRA/CSA SIRA/CSA	II 2 G Ex d IIC T226C Gb IP44 [Ⓛ]
KDB-1 DRAIN / BREATHER KDB-250 DRAIN / BREATHER KDB-375 DRAIN / BREATHER KDB-250CEN DRAIN / BREATHER KDB-375CEN DRAIN / BREATHER KDB-M16CEN DRAIN / BREATHER	1/2 NPT 1/4 NPT 3/8 NPT 1/4 NPT 3/8 NPT M16	STAINLESS STEEL ALUMINUM ALUMINUM ALUMINUM ALUMINUM ALUMINUM	UL, FM & CSAus CSAus CSAus CSAus CSAus CSAus	CLASS I GROUPS C & D CLASS I, ZONES 1 & 2 GR IIB CLASS II GROUPS E, F & G CLASS III ENCL TYPE 3	c CSA c CSA c CSA c CSA c CSA c CSA	CLASS I GROUPS C & D CLASS I, ZONES 1 & 2 GR IIB CLASS II GROUPS E, F & G CLASS III ENCL TYPE 3	SIRA/CSA SIRA/CSA SIRA/CSA SIRA/CSA	II 2 G Ex d IIB T3 Gb IP44

KB SERIES FLAME ARRESTOR

Applications

The flame arrestor provides a means to connect gas analysis equipment and electro pneumatic devices' pipe or tubing system through the wall of an explosion-proof enclosure.

BODY MATERIAL: 6061-T6 series aluminum provided as standard. Optional stainless steel or brass for special orders.

ATEX/IEC Ex Certified

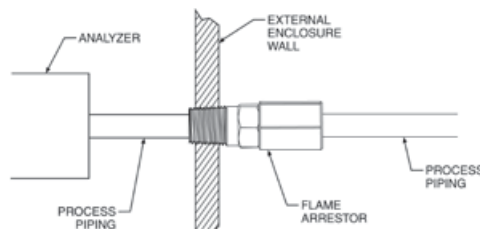


Class I, Div. 1 & 2, Groups B[Ⓛ], C, D
 Class I, Zones 1 & 2, Groups IIB + H₂[Ⓛ]
 Class II, Div. 1 & 2, Groups E, F, G
 Class III, NEMA Type 3, 4[Ⓛ]
 II 2 G Ex d IIB IICk T3 Gb IP66[Ⓛ]
 Ta = -50°C to +60°C

Ex
 cSPUS Certified - File LR11716
 IEC Ex CSA 10.0007U
 SIRA 10ATEX1351U
 ① See chart below for suitability
 ② Warning – not for use in acetylene atmospheres

CATALOG NUMBER	EXTERNAL HUB THREAD SIZE	INTERNAL & EXTERNAL PROCESS PIPING THREAD SIZE	THIRD PARTY	SUITABILITY USA	THIRD PARTY	SUITABILITY CANADA	THIRD PARTY	SUITABILITY ATEX/IEC Ex
KB1FA25 KB1FA25SS6	1/2 NPT 1/2 NPT	1/4 NPT 1/4 NPT	CSAus CSAus	CLASS I GROUPS B, C & D CLASS I, ZONES 1 & 2 GR IIB+H ₂ CLASS II GROUPS E, F, & G CLASS III TYPE 3 & 4	c CSA c CSA	CLASS I GROUPS C & D CLASS I, ZONES 1 & 2 GR IIB CLASS II GROUPS E, F & G CLASS III TYPE 3 & 4	SIRA/CSA	II 2 G Ex d IIC [Ⓛ] T3 Gb IP66
KB1FAM16 KBM20FA25 KBM20FA25SS6 KBM20FAM16 KBM30FAM16SS6	1/2 NPT M20 M20 M20 M20	M16 1/4" NPT 1/4" NPT M16 M16	CSAus CSAus CSAus	CLASS I GROUPS B, C & D CLASS I ZONES 1 & 2 GR IIB+H ₂ CLASS II GROUPS E, F & G CLASS III TYPE 3	c CSA c CSA c CSA	CLASS I GROUPS C & D CLASS I, ZONES 1 & 2 GR IIB CLASS II GROUPS E, F & G CLASS III TYPE 3	SIRA/CSA SIRA/CSA SIRA/CSA	II 2 G Ex d IIC T3 Gb IP65

TYPICAL INSTALLATION



Specifications

Air flow = 83 + 15 / -25 SCFH at 5PSI
 Pressure drop = 1.3 PSI at 100 PSI
 Maximum flow pressure = 800 PSI
 Volume = For use in enclosures with a maximum internal volume of 9526 cubic inches or 160 liters.



FITTINGS

EXPLOSIONPROOF, DUST-IGNITIONPROOF AND TYPE 4X UNIVERSAL DRAIN OR BREATHER



KB1-4X

Class I, Div. 1 & 2, Groups B[Ⓢ], C, D
 Class I, Zones 1 & 2, Groups IIB + H₂
 Class II, Div. 1 & 2, Groups E, F, G
 Class III
 Type 3, 4, 4X (NEMA)

Certified File - LR11716

Certified File - LR11716

File E10514

Certified File - LR11716

FEATURES-SPECIFICATIONS

Applications:

When installed in the top of an enclosure, this fitting acts as a breather to allow air flow through the enclosure. Bottom installation permits water from condensation to drain from the enclosure continuously.

Features

- Suitable for Explosionproof and Dust-Ignitionproof environments
- Type 3, 4, 4X Rating (NEMA)
- Machined 1/2" NPT Thread

Standard Materials

- Copper-Free Aluminum
- 316 Stainless Steel

Finish

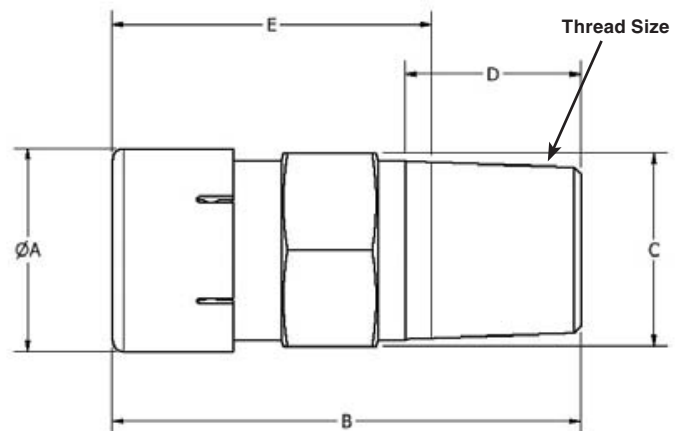
- Anodized Lightblue - Aluminum
- Natural - 316 Stainless Steel

Ⓢ Canadian suitability

Class I, Div. 1 & 2, Groups C, D
 Class I, Zones 1 & 2, Groups IIB
 Class II, Div. 1 & 2, Groups E, F, G
 Class III
 Type 3, 4, 4X (NEMA)

KB EXPLOSIONPROOF, DUST-IGNITIONPROOF AND TYPE 4X UNIVERSAL DRAIN OR BREATHER				
CATALOG NUMBER	THREAD SIZE	BODY MATERIAL	FINISH	SHIP CTN QTY
KB1-4X	1/2" NPT	Aluminum	ANODIZED LIGHTBLUE	5
KB1-4XS6	1/2" NPT	316 Stainless Steel	NATURAL	5

DIMENSIONS						
CATALOG NUMBER	A	B	C		D	E +/- 1/8" TYPICAL
			A/C	A/F		
KB1-4X	13/16"	2-1/8"	1"	7/8"	51/64"	1-19/32"
KB1-4XS6	13/16"	2-1/8"	1"	7/8"	51/64"	1-19/32"





KDE SERIES DRAIN BREATHER



KDES60M20



KDEGF0M20

Class I, Div. 2, Groups A, B, C, D
 Class I, Zone 1 & 2, Ex e / AEx e IIC,
 A/Ex tb
 Class II, Div. 1 ① & 2, Groups E, F, G
 Class III, Ambient Temperature Range
 -55°C to +80°C
 Enclosure Type 3, 4 & 4X② IP66



SP⁺ 2714851

Ex II 2 G D CE 0539

Ex e IIC Gb

Ex tb IIIC Db IP66

Ta = -55°C to +80°C

Segurança

IEEx IEx 15.0154X

CML 15ATEX3028X

IECEX QPS 15.0002X

PATENT PENDING

FEATURES-SPECIFICATIONS

Applications

When installed in the bottom of a thin wall enclosure the KDE allows water from condensation to drain continuously out of the enclosure. The drain breathers are installed through clearance holes and held secured with an internal locknut. The silicone external o-ring makes a hose down tight seal.

Features

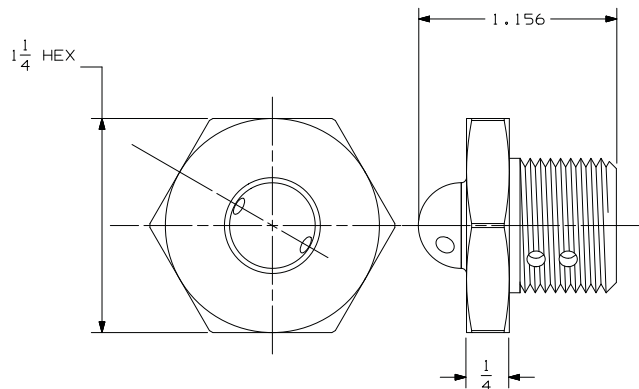
- Silicone o-ring supplied as standard and suitable for use in a -55°C to +80°C temperature range.
- Variety of thread sizes 1/2 & 3/4 NPT, 1/2 & 3/4 NPSM, M20 & M25.
- Available in 300 series stainless steel, 316 stainless steel, aluminum and 30% glass filled nylon.
- Internal 316 stainless steel locknut supplied as standard. When tighten to the proper torque the joint makes a hose down tight seal for type 4, 4X & IP66 application.

Materials

- 303 or 304 stainless steel, 316 stainless steel, brass, aluminum or 30% glass filled nylon.
- Internal locknut 316 stainless steel.
- High temp silicone o-ring

MATERIAL / CATALOG NUMBER					
ENTRY THREAD SIZE & TYPE	GLASS FILLED PA6 NYLON	ALUMINUM	316 STAINLESS STEEL	BRASS	NICKEL PLATED BRASS
M20	KDEGF0M20	KDEAL0M20	KDES60M20	KDEBR0M20	KDEBR1M20
M25	KDEGF0M25	KDEAL0M25	KDES60M25	KDEBR0M25	KDEBR1M25
1/2" NPT	KDEGF0050	KDEAL0050	KDES60050	KDEBR0050	KDEBR1050
3/4" NPT	KDEGF0075	KDEAL0075	KDES60075	KDEBR0075	KDEBR1075

Note: Other thread forms and materials available upon request.



① Class II Div. 1 Canada only, Div. 2 in the U.S.

② Type 4X in 316 & 304 SS, Aluminum & Nylon materials only.