



K-PAK

KILLARK

K-PAK SHELF CARTONS



FEATURES-SPECIFICATIONS

K-PAK®

K-PAK® packaging enables Killark distributors to feature fast-moving products in counter display areas.

Killark's best selling standard location products have been repackaged into smaller shelf packs for effective product family presentation.

The uniformly sized (width and height are consistent) cartons allow items to be merchandised on a typical 48" w x 54" H x 18" gondola unit (not supplied by Killark).

Features/Benefits

- Cartons are suitable for counter merchandising display and/or warehouse storage.
- Open-top bin box displays products for easy customer self-service.
- All cartons are bar coded for easy electronic identification.
- Conduit bodies are packaged with appropriate covers and gaskets.

K-PAK Carton Dimensions

Full depth cartons:

6" W x 81/2" H x 15" D

Half depth cartons:

6" W x 81/2" H x 71/2" D

Display face (width & height) same for all cartons.

O FITTINGS		
CATALOG NUMBER	DESCRIPTION	PKG QTY.
OC-1CG	1/2" C w/cover & gasket	40
OC-2CG	3/4" C w/cover & gasket	25
OC-3CG	1" C w/cover & gasket	20
OC-4CG	1-1/4" C w/cover & gasket	8
OC-5CG	1-1/2" C w/cover & gasket	8
OC-6CG	2" C w/cover & gasket	3
OLB-1CG	1/2" LB w/cover & gasket	40
OLB-2CG	3/4" LB w/cover & gasket	25
OLB-3CG	1" LB w/cover & gasket	15
OLB-4CG	1-1/4" LB w/cover & gasket	8
OLB-5CG	1-1/2" LB w/cover & gasket	5
OLB-6CG	2" LB w/cover & gasket	3
OLB-7CG	2-1/2" LB w/cover & gasket	1
OLB-8CG	3" LB w/cover & gasket	1
OLB-9CG	3-1/2" LB w/cover & gasket	1
OLB-0CG	4" LB w/cover & gasket	1
OLL-1CG	1/2" LL w/cover & gasket	40
OLL-2CG	3/4" LL w/cover & gasket	25
OLL-3CG	1" LL w/cover & gasket	15
OLL-4CG	1-1/4" LL w/cover & gasket	8
OLL-5CG	1-1/2" LL w/cover & gasket	8
OLL-6CG	2" LL w/cover & gasket	3
OLR-1CG	1/2" LR w/cover & gasket	40
OLR-2CG	3/4" LR w/cover & gasket	25
OLR-3CG	1" LR w/cover & gasket	15
OLR-4CG	1-1/4" LR w/cover & gasket	8
OLR-5CG	1-1/2" LR w/cover & gasket	8
OLR-6CG	2" LR w/cover & gasket	3
OT-1CG	1/2" T w/cover & gasket	30
OT-2CG	3/4" T w/cover & gasket	25
OT-3CG	1" T w/cover & gasket	15
OT-4CG	1-1/4" T w/cover & gasket	8
OT-5CG	1-1/2" T w/cover & gasket	8
OT-6CG	2" T w/cover & gasket	2

SLB FITTINGS		
CATALOG NUMBER	DESCRIPTION	PKG QTY.
SLB-1-CP	1/2" Service entrance LB	50
SLB-2-CP	3/4" Service entrance LB	25
SLB-3-CP	1" Service entrance LB	25

CO FITTINGS*		
CATALOG NUMBER	DESCRIPTION	PKG QTY.
COC-1CG	1/2" C w/cover & gasket	10
COC-2CG	3/4" C w/cover & gasket	10
COC-3CG	1" C w/cover & gasket	5
COLB-1CG	1/2" LB w/cover & gasket	10
COLB-2CG	3/4" LB w/cover & gasket	10
COLB-3CG	1" LB w/cover & gasket	5
COLL-1CG	1" L w/cover & gasket	10
COLL-2CG	2" L w/cover & gasket	10
COLL-3CG	3" L w/cover & gasket	5
COLR-1CG	1/2" LR w/cover & gasket	10
COLR-2CG	3/4" LR w/cover & gasket	10
COLR-3CG	1" LR w/cover & gasket	5
COT-1CG	1/2" LR w/cover & gasket	10
COT-2CG	3/4" LR w/cover & gasket	10
COT-3CG	1" LR w/cover & gasket	5

* For additional sizes see pages F20 - F22

FS/FD BACK BOXES/COVERS		
CATALOG NUMBER	DESCRIPTION	PKG QTY.
1FA-CP	Duplex cover	50
1FT-CP	Toggle cover	50
FCLA-CP	Duplex cover	25
FDC-1-CP	1/2" FDC box	10
FDC-2-CP	3/4" FDC box	10
FD-1-CP	1/2" FD box	10
FD-2-CP	3/4" FD box	10
FSBC-CP	Blank cover	50
FSC-1-CP	1/2" FSC box	15
FSC-2-CP	3/4" FSC box	15
FST-CP	Cover	25
FS-1-CP	1/2" FS box	20
FS-2-CP	3/4" FS box	20

WH WEATHERPROOF HUBS		
CATALOG NUMBER	DESCRIPTION	PKG QTY.
WH-1	1/2" Conduit hub	25
WH-2	3/4" Conduit hub	25
WH-3	1" Conduit hub	25

FITTINGS

O SERIES / DURALOY® 5 SERIES



ALUMINUM OR MALLEABLE IRON CONDUIT BODIES



C Type



E Type

- Suitable for wet locations when used with gasketed covers.
- Federal Specification W-C-586D/A-A 50563.
- Suitable for use in hazardous location applications when installed according to NEC Articles 501.10(b), Class 1, Div. 2, (Suitable for use in Class 1 Zone 2 applications) 502.10 and 503.10.

UL LISTED File No. E3397

SP Certified File No. LR11852

FEATURES-SPECIFICATIONS

DURALOY⁵

Applications

To provide access to conductors for pulling, splicing, and maintenance. Threaded for rigid conduit and IMC.

Features

- Tapered threaded hubs (NPT)
- Raintight when used with gasketed covers
- Malleable iron suitable for use in concrete
- Interchangeable with competitive products
- Stainless steel screws on stamped and cast covers

Material/Finish

Copper-free Aluminum
(less than 4/10 of 1%)

- Electrostatically applied powder coating

Duraloy Malleable Iron

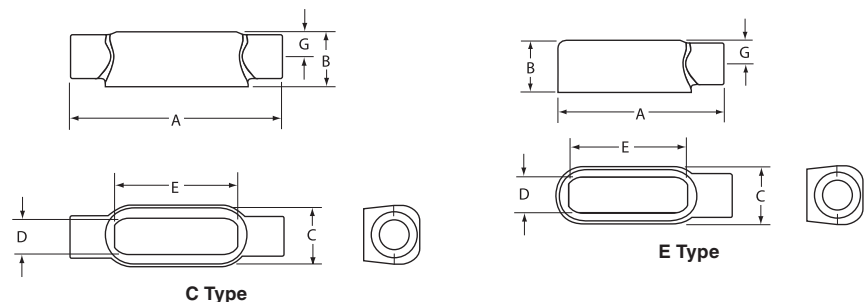
- Tri-coat finish of electrozinc, chromate sealant, and electrostatically applied powder coating.

C TYPE CONDUIT BODY*										
CATALOG NUMBER		HUB SIZE	DIMENSIONS							VOLUME CU. IN.
KILLARK ALUM.	DURALOY IRON		A	B	C	D	E	F	G	
OC-1	OC-1M	1/2"	5-3/16" (132)	1-3/8" (35)	1-3/8" (35)	1" (25)	3-5/32" (80)	—	5/8" (16)	4.0
OC-2	OC-2M	3/4"	6-1/8" (156)	1-5/8" (41)	1-5/8" (67)	1-7/32" (31)	3-25/32" (96)	—	3/4" (19)	7.0
OC-3	OC-3M	1"	7-1/8" (181)	2" (51)	1-7/8" (48)	1-15/32" (37)	4-17/32" (115)	—	15/16" (24)	12.0
OC-4	OC-4M	1-1/4"	9-1/8" (232)	2-5/8" (67)	2-5/8" (67)	2" (51)	6" (152)	—	1-3/16" (30)	32.0
OC-5	OC-5M	1-1/2"	9-1/4" (235)	2-3/4" (70)	2-5/8" (67)	2" (51)	6" (152)	—	1-3/8" (32)	36.0
OC-6	OC-6M	2"	11-7/8" (302)	3-1/2" (89)	3-1/8" (79)	2-9/16" (65)	8-1/16" (205)	—	1-5/8" (38)	70.0
OC-7	OC-7M	2-1/2"	15-1/8" (384)	4" (102)	4-3/8" (111)	3-11/16" (94)	10-5/8" (270)	—	1-13/16" (54)	153.0
OC-8	OC-8M	3"	15-1/8" (384)	4-3/4" (121)	4-3/8" (111)	3-11/16" (94)	10-5/8" (270)	—	2-3/16" (54)	181.0
OC-9	OC-9M	3-1/2"	18-3/8" (467)	5-1/2" (140)	5-1/2" (140)	4-7/8" (124)	13-1/8" (333)	—	2-1/2" (67)	290.0
OC-0	OC-0M	4"	18-3/8" (467)	5-5/8" (143)	5-1/2" (140)	4-7/8" (124)	13-1/8" (333)	—	2-3/4" (67)	320.0

E TYPE CONDUIT BODY*										
CATALOG NUMBER		HUB SIZE	DIMENSIONS							VOLUME CU. IN.
KILLARK ALUM.	DURALOY IRON		A	B	C	D	E	F	G	
OE-1	OE-1M	1/2"	4-5/8" (117)	1-3/8" (35)	1-3/8" (35)	1" (25)	3-9/32" (83)	—	5/8" (16)	4.0
OE-2	OE-2M	3/4"	5-3/8" (41)	1-5/8" (137)	1-5/8" (41)	1-7/32" (29)	3-15/16" (100)	—	3/4" (19)	7.0
OE-3	OE-3M	1"	6-1/4" (159)	2" (51)	1-7/8" (48)	1-15/32" (35)	4-17/32" (115)	—	7/8" (22)	12.0

* For conduit body packaged with cover and gasket, add CG to the catalog number.

Dimensions





ALUMINUM OR MALLEABLE IRON CONDUIT BODIES



LB Type



LL Type

- Suitable for wet locations when used with gasketed covers.
- Federal Specification W-C-586D/A-A 50563.
- Suitable for use in hazardous location applications when installed according to NEC Articles 501.10(b), Class I, Div. 2, (Suitable for use in Class I Zone 2 applications) 502.10 and 503.10.

UL LISTED File No. E3397

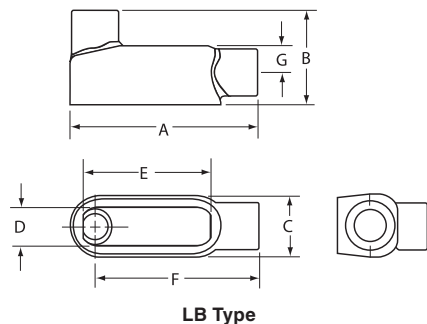
SF Certified File No. LR11852

FEATURES-SPECIFICATIONS

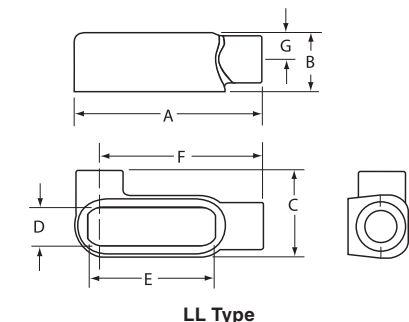
DURALOY®5

See page F15 for Standard Materials & Finish

Dimensions



LB Type



LL Type

CATALOG NUMBER		HUB SIZE	DIMENSIONS							VOLUME CU. IN.
KILLARK ALUM.	DURALOY IRON		A	B	C	D	E	F	G	
OLB-1	OLB-1M	1/2"	4-17/32" (115)	2-9/32" (83)	1-3/8" (35)	1" (25)	3-5/32" (80)	4-3/8" (111)	5/8" (16)	4.0
OLB-2	OLB-2M	3/4"	5-3/4" (146)	2-1/2" (64)	1-5/8" (41)	1-7/32" (31)	3-25/32" (96)	4-29/32" (125)	3/4" (19)	7.0
OLB-3	OLB-3M	1"	6-5/8" (168)	2-29/32" (74)	1-7/8" (48)	1-15/32" (37)	4-17/32" (115)	5-23/32" (145)	15/16" (24)	12.0
OLB-4	OLB-4M	1-1/4"	7-1/2" (191)	3-3/16" (81)	2-5/8" (67)	2" (51)	6" (152)	6-13/32" (162)	1-3/16" (30)	28.8
OLB-5	OLB-5M	1-1/2"	9-1/8" (232)	4" (102)	2-5/8" (67)	2" (51)	6" (152)	17-3/4" (451)	1-3/8" (32)	36.0
OLB-6	OLB-6M	2"	10" (254)	4-13/16" (122)	3-1/8" (79)	2-9/16" (65)	8-1/16" (205)	8-5/32" (207)	1-5/8" (38)	70.0
OLB-7	OLB-7M	2-1/2"	13-15/16" (354)	6-1/8" (156)	4-3/8" (111)	3-11/16" (94)	10-5/8" (270)	11-7/16" (291)	2-1/2" (64)	142.0
OLB-8	OLB-8M	3"	13-15/16" (354)	6-1/2" (165)	4-3/8" (111)	3-11/16" (94)	10-5/8" (270)	11-7/16" (291)	2-3/16" (54)	173.0
OLB-9	OLB-9M	3-1/2"	16-7/8" (429)	7-9/16" (192)	5-1/2" (140)	4-7/8" (124)	13-1/8" (333)	13-3/4" (349)	2-1/2" (67)	292.0
OLB-0	OLB-0M	4"	16-7/8" (429)	7-13/16" (198)	5-1/2" (140)	4-7/8" (124)	13-1/8" (333)	13-3/4" (349)	2-3/4" (70)	324.0

CATALOG NUMBER		HUB SIZE	DIMENSIONS							VOLUME CU. IN.
KILLARK ALUM.	DURALOY IRON		A	B	C	D	E	F	G	
OLL-1	OLL-1M	1/2"	4-5/8" (117)	1-3/8" (35)	2" (51)	1" (25)	3-5/32" (80)	—	5/8" (16)	4.0
OLL-2	OLL-2M	3/4"	5-3/8" (137)	1-5/8" (41)	2-3/16" (56)	1-7/32" (31)	3-25/32" (96)	—	3/4" (19)	7.0
OLL-3	OLL-3M	1"	6-1/4" (159)	2" (51)	2-9/16" (65)	1-15/32" (37)	4-17/32" (115)	—	15/16" (24)	12.0
OLL-4	OLL-4M	1-1/4"	8-1/8" (206)	2-5/8" (67)	3-1/2" (89)	2" (51)	6" (152)	—	1-3/16" (30)	32.0
OLL-5	OLL-5M	1-1/2"	8-1/8" (206)	2-3/4" (70)	3-1/2" (89)	2" (51)	6" (152)	—	1-3/8" (32)	36.0
OLL-6	OLL-6M	2"	10-9/16" (268)	3-1/2" (89)	4-3/16" (106)	2-9/16" (65)	8-1/16" (205)	—	1-5/8" (38)	70.0
OLL-7	OLL-7M	2-1/2"	13-11/16" (348)	4" (102)	5-3/4" (146)	3-11/16" (94)	10-5/8" (270)	—	1-13/16" (46)	142.0
OLL-8	OLL-8M	3"	13-11/16" (348)	4-3/4" (121)	5-3/4" (146)	3-11/16" (94)	10-5/8" (270)	—	2-3/16" (54)	173.0
OLL-9	OLL-9M	3-1/2"	16-1/2" (419)	5-1/2" (140)	7-1/8" (181)	4-7/8" (124)	13-1/8" (333)	—	2-1/2" (67)	292.0
OLL-0	OLL-0M	4"	16-1/2" (419)	5-5/8" (143)	7-1/8" (181)	4-7/8" (124)	13-1/8" (333)	—	2-3/4" (70)	324.0

* For conduit body packaged with cover and gasket, add CG to the catalog number.