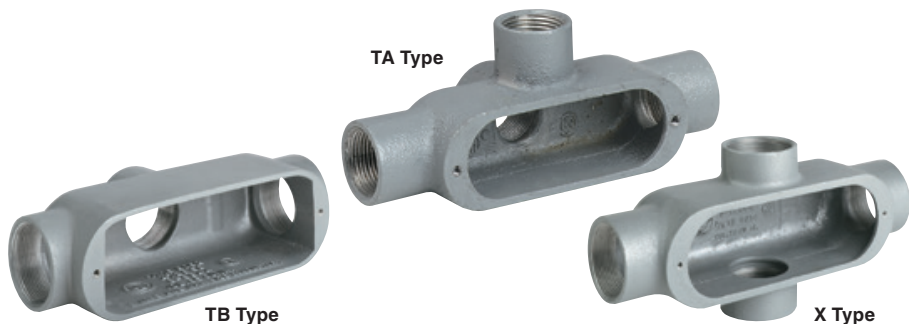




ALUMINUM OR MALLEABLE IRON CONDUIT BODIES



- Suitable for wet locations when used with gasketed covers.
- Federal Specification W-C-586D/A-A 50563.
- Suitable for use in hazardous location applications when installed according to NEC Articles 501.10(b), Class I, Div. 2, (Suitable for use in Class I Zone 2 applications) 502.10 and 503.10.

UL LISTED File No. E3397

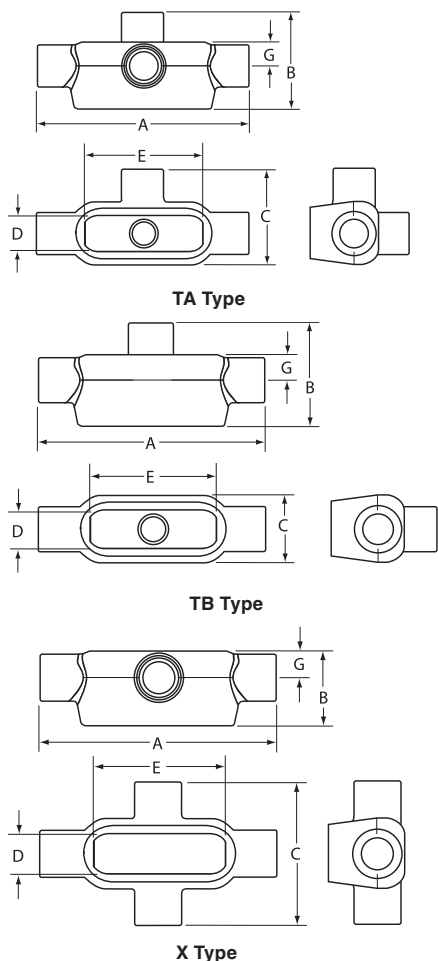
SF Certified File No. LR11852

FEATURES-SPECIFICATIONS

DURALOY®5

See page F15 for Standard Materials & Finish

Dimensions



TA TYPE CONDUIT BODY*										
CATALOG NUMBER KILLARK ALUM.	DURALOY IRON	HUB SIZE	DIMENSIONS							VOLUME CU. IN.
			A	B	C	D	E	F	G	
OTA-1	OTA-1M	1/2"	5-3/8" (137)	2-1/8" (54)	2" (51)	1" (25)	3-5/32" (80)	—	5/8" (16)	4.0
OTA-2	OTA-2M	3/4"	6-1/16" (154)	2-15/16" (75)	2-3/16" (56)	1-7/32" (29)	3-25/32" (96)	—	3/4" (19)	7.0
—	OTA-3M	1"	7-1/8" (181)	2-11/16" (68)	2-9/16" (65)	1-15/32" (35)	4-17/32" (115)	—	15/16" (24)	12.0

TB TYPE CONDUIT BODY*										
CATALOG NUMBER KILLARK ALUM.	DURALOY IRON	HUB SIZE	DIMENSIONS							VOLUME CU. IN.
			A	B	C	D	E	F	G	
OTB-1	OTB-1M	1/2"	5-3/8" (137)	2-1/8" (54)	1-5/16" (33)	1" (25)	3-5/32" (80)	—	5/8" (16)	4.0
OTB-2	OTB-2M	3/4"	6-1/16" (160)	2-5/16" (59)	1-9/16" (40)	1-7/32" (31)	3-25/32" (96)	—	3/4" (19)	7.0
OTB-3	OTB-3M	1"	7-1/8" (181)	2-11/16" (68)	1-13/16" (46)	1-15/32" (37)	4-17/32" (115)	—	15/16" (24)	12.0
OTB-4	OTB-4M	1-1/4"	9-3/16" (233)	3-9/16" (90)	2-1/2" (64)	2" (51)	6" (152)	—	1-3/16" (30)	32.0
OTB-5	OTB-5M	1-1/2"	9-3/16" (233)	3-3/4" (92)	2-1/2" (64)	2" (51)	6" (152)	—	1-3/8" (35)	36.0
OTB-6	OTB-6M	2"	11-5/8" (295)	4-5/8" (117)	3-1/8" (79)	2-9/16" (65)	8-1/16" (205)	—	1-5/8" (41)	70.0

X TYPE CONDUIT BODY*										
CATALOG NUMBER KILLARK ALUM.	DURALOY IRON	HUB SIZE	DIMENSIONS							VOLUME CU. IN.
			A	B	C	D	E	F	G	
OX-1	OX-1M	1/2"	5-3/8" (137)	1-3/4" (44)	1-11/16" (43)	1" (25)	3-5/32" (80)	—	5/8" (16)	4.0
OX-2	OX-2M	3/4"	6-1/16" (160)	2" (51)	2-7/8" (73)	1-7/32" (31)	3-25/32" (96)	—	3/4" (19)	7.0
OX-3	OX-3M	1"	7-1/8" (181)	2-1/4" (57)	3-3/8" (86)	1-15/32" (37)	4-17/32" (115)	—	15/16" (24)	12.0
OX-4	OX-4M	1-1/4"	9-3/16" (233)	2-9/16" (65)	4-1/2" (114)	2" (51)	6" (152)	—	1-3/16" (30)	32.0
OX-5	OX-5M	1-1/2"	9-3/16" (233)	2-3/4" (70)	4-1/2" (114)	2" (51)	6" (152)	—	1-3/8" (35)	36.0
OX-6	OX-6M	2"	11-5/8" (295)	3-3/8" (85)	5-1/4" (133)	2-9/16" (65)	8-1/16" (205)	—	1-5/8" (41)	70.0

* For conduit body packaged with cover and gasket, add CG to the catalog number.