



MARCUS

Marcus Transformer LTD
 Phone: 1-800-267-7376
 Fax: 1-866-205-7526
 Email: Info@marcustransformer.com

TECHNICAL DATA MODEL: MS 15A2

[1-PHASE ISOLATING]

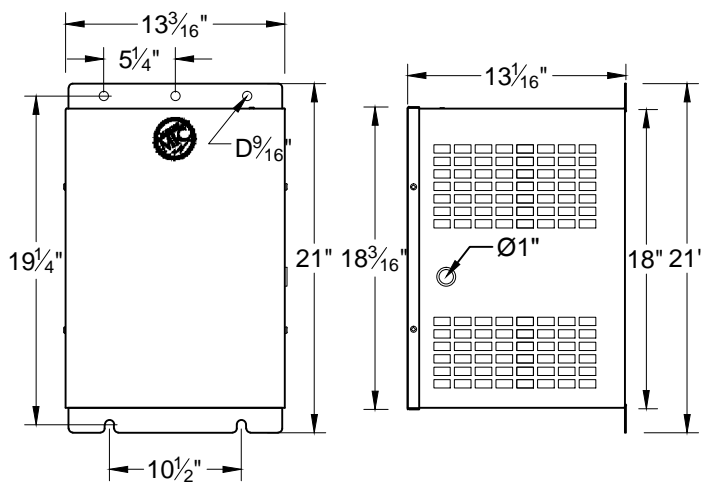
DESCRIPTION	
Type	DRY TYPE DISTRIBUTION (ANN)
KVA	15
Primary (Volts)	600
Secondary (Volts)	120 / 240
Phase	1
Enclosure	NEMA 1
Impedance (%z)	4.8
Insulation Class	220°C
Temperature Rise	150°C
Frequency	60Hz
Weight (LBS/KG)	130 / 59
Polarity	Additive
BIL.	10KV

PERFORMANCE	
No load loss	47W
Total loss	685W
Noise level	45dB

EFFICIENCY	
	Efficiency = 97.6% (As per CSA C802.2 & NEMA TP-1)

Primary connectors per phase : #14-2
Secondary connectors per phase: #10-2/0

PHYSICAL DIMENSIONS



FRONT VIEW

SIDE VIEW

MOUNTING: WALL

FEATURES:

- Anti-vibration pads installed between the core/coil and the enclosure
- Ground lug provided
- Leads brought-up and solidly positioned into separate terminal boards
- CSA enclosure: ventilated painted ASA 61gray
- Transformer meets the efficiency values as per CSA C802.2 / NEMA TP-1
- Copper ground strap between core/coil and enclosure
- CSA certified / UL listed
- Copper windings

Customer / PO	
Project	
Engineer	
Contractor	
Revision Date	

COMMENTS