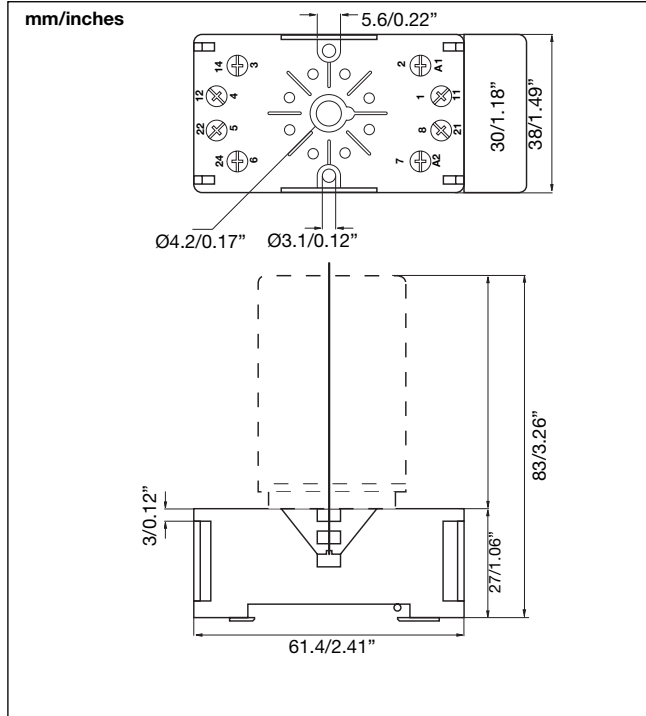


Sockets for RCP relays

ZPD 8 XA



ZPD 8XA

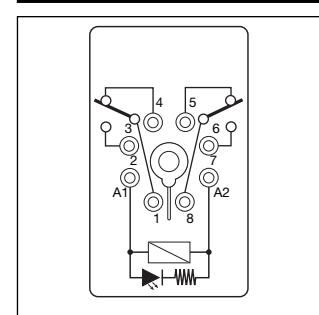
General data

Rated voltage	300VAC
Rated current	10A
Insulation voltage	>3kV
Protection degree	IP 20 (EN60529)
Operating temperature range	-25° to +70°C (-13° to +158°F)
Socket material	PA66+GF (V0)
Socket colour	RAL 7035 / Pantone 1C
Terminal type	Screw cage
Screw type	M3 with combi head (slotted, Philips Gr.1, Pozi)
Maximum screw torque	1N/m
Max Wire section	2 x 2.5mm ² (14AWG)
Flex / compact wire	2 x 1.5mm ² (16AWG)
Cable End	
Contacts material	Nikel plated - CuSn

Terminal type



Wiring diagram



Approvals



Ordering part number	ZPD8XA
Box content:	10 sockets
Box size: (W 70 x D 140 x H 85) mm	Weight: 650g
(W 2.75 x D 5.51 x H 3.35) inches	Weight: 22.93oz

Optional Accessories (to be ordered separately if required)

Hold-down spring steel SZPD56M (see on page 81)