

Switching Power Supply Type SPDM 75 DIN Rail Mounting

CARLO GAVAZZI



- Universal input 85~264Vac
- Short circuit protection
- Internal input filter
- High efficiency up to 89%
- High average efficiency meets ErP 2009/125/EC
- Low standby power consumption
- 3 years warranty

Product Description

The Switching power supplies SPDM Series are specially designed to be used in all automation application where the installation is on a DIN rail and compact dimensions and performance are a must. In particular the SPDM Series power supplies are significantly smaller than the

standard power supplies of the same power. The greater compactness is achieved thanks to limited energy loss, that automatically generates greater effectiveness. This specific SPDM Series 75W Power supplies are available with 12VDC or 24VDC Output Voltage, with spring or screw terminals.

Ordering Key

SP D M 12 75 1 B

Model _____
 Mounting (D = Din rail) _____
 Medium width _____
 Output voltage _____
 Size _____
 Input type _____
 Spring terminal (Nil= Screw terminal) _____

Approvals



Output Performance

Model NO.	Output voltage	Output wattage	Output current	Eff. (Min.)	Eff. (Typ.)	Eff. (avg)
SPDM1275	+12VDC	66 Watt	5.5A	86%	88%	87%
SPDM2475	+24VDC	72 Watt	3A	87%	89%	87%

Output Data All specifications are at nominal values, full load, 25°C (77°F) unless otherwise noted

Ripple & noise Vi nom, lo nom, BW=20MHz	100mV	Hold up time Vi: 115/230VAC, lo nom	10 / 50ms
Minimum load Vi nom	0%	Transient recovery time Vi nom 1~0.5 lo nom	2ms
Voltage accuracy lo nom, lo max	+1%	Power back immunity Vi nom, lo nom 12V I second 24V	22VDC 32VDC
Line regulation Vi nom, Vi min. ... Vi max.	±1%	Capacitor load Vi nom, lo nom 12V & 24V 48V	3500µF 1000µF
Load regulation Vi nom, lo min. ... lo nom.	±1%	DC ON indicator threshold at start up (Green LED) 12V 24V	9.6 ~ 10.8VDC 19.2 ~ 21.6VDC
Voltage trim range Vi nom, 12V 0.8 lo nom, 24V	11.4 ~ 15.6VDC 22.5 ~ 28.5VDC	Efficiency Vi nom, lo nom Po / Pi	Up to 87%, see model list and typ efficiency curve
Rated continuous loading Vi nom 12V 24V	5.5A@12VDC/4.4A@15VDC 3A@24DC/2.7A@26.4VDC		
Turn on time Vi nom, lo nom Vi nom, lo nom capacitor load	2000ms 2000ms		

Input Data All specifications are at nominal values, full load, 25°C (77°F) unless otherwise noted

Rated input voltage lo nom	100VAC min 240VAC max	Leakage current	
Voltage range		Input-Output	0.25mA
AC in	85 ~ 264VAC	Input-FG	3.5mA
DC in	120 ~ 375VDC	Rated input current	
Line frequency		Vi: 85VAC, lo nom	1800 mA
Vi nom, lo nom	47 / 63Hz	Power dissipation	
AC current (max.)		Vi: 230VAC, lo nom	10.5W
Vi: 115VAC	1450mA	Standby power consumption	
Vi: 230VAC	750mA	Vi nom, IO=0A	0.5W
Inrush current			
Vi: 115/230VAC, lo nom	30 / 60A		

Controls and Protections All specifications are at nominal values, full load, 25°C (77°F) unless otherwise noted

Input fuse	T3.15A / 250VAC internal	Output short circuit	Hiccup mode
Internal surge voltage protection		Degree of protection	IP20
IEC 61000-4-5	Varistor		
Rated over load protection			
Vi nom (see typ current limited curve)	140%		
Over voltage protection			
Vi nom, 0.8 lo nom (auto recovery)			
12V	16.2 ~ 18VDC		
24V	28.8 ~ 32.4VDC		

General Data All specifications are at nominal values, full load, 25°C (77°F) unless otherwise noted

Operating temperature		Switching frequency	
Operating at Vi nom	-25 ~ +71°C (-13 ~ 159.8°F)	Vi nom, lo nom	40 ~ 100KHz
Ambient humidity		Isolation voltage	
Vi nom, lo nom	20 ~ 95% RH	Input - Output	3000 / 4242VAC / VDC
Storage temperature		Input - FG	1500 / 2121VAC / VDC
Non operational	-40 ~ +85°C (-40 ~ 185°F)	Output - FG	500 / 710VAC / VDC
MTBF		Isolation resistance	
Bellcore issue 6@40°C, GB		Input - Output, @500VDC	100MΩ
12V	556000 Hours	Derating	
24V	580000 Hours	Vi nom, from +51°C (123°F)	2.5%/°K
Cooling method	Free air convection	Temperature coefficient	
Dimensions HxDxW	90 x 100 x 40.50mm (3.54" x 3.937" x 1.594")	Vi nom, lo min	±0.03%/°K
Weight	250g (0.551lb)	Altitude during operation	
Packing		EN60950-1	5000m
Single	270g (0,495lb)	Pollution degree	2
Carton	48pcs 12kg (26.45lb) 2.16CUFT	Case material	Plastic



Norms and Standard All specifications are at nominal values, full load, 25°C (77°F) unless otherwise noted

UL / cUL	UL508 Listed	Vibration resistance	Meets IEC 60068-2-6 Mounting on rail: 10-500 Hz, 2G, along X, Y, Z each Axis, 60 min for each Axis)
UL1310	Class 2 (pending)		
cTUVus	UL60950-1	Shock resistance	Meets IEC 60068-2-27 (15G, 11ms, 3Axis, 6Faces, 3 times for each Face)
TUV	EN60950-1		
CE	EN61000-6-3, EN55022 Class B, EN61000-3-2, EN61000-3-3 EN61000-6-2, EN55024, EN61000-4-2 Level 4, EN61000-4-3 Level 3, EN61000-4-4 Level 4, EN61000-4-5 L-N Level 3.L/N-FG Level 4, EN61000-4-6 Level 3, EN61000-4-8 Level 4, EN691000-4-11, ENV 50204 Level 2, EN61204-3		

Block Diagram

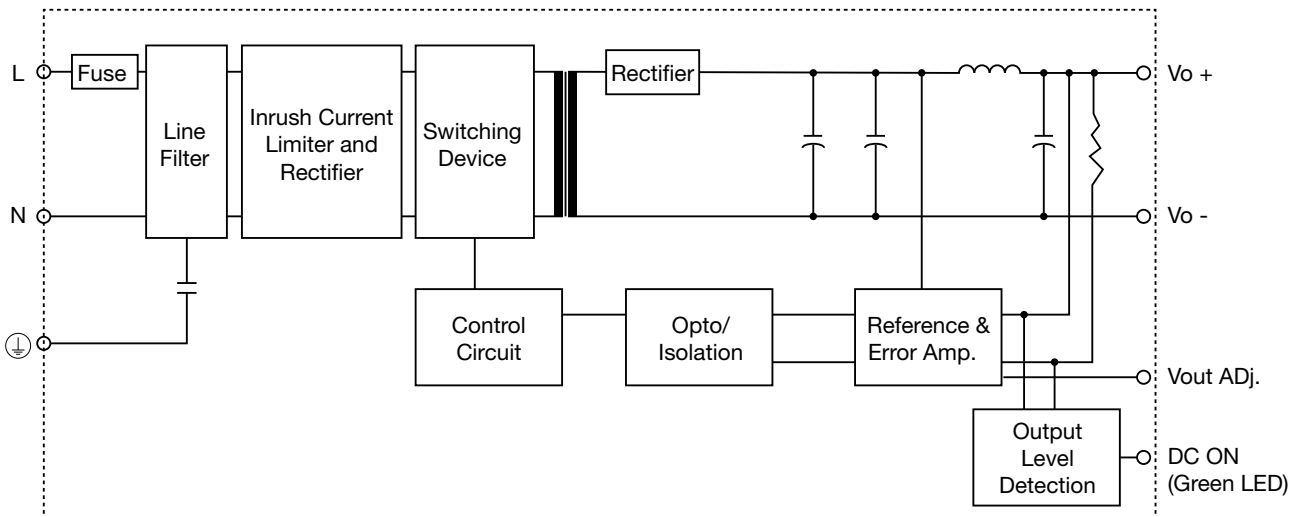


Diagram Curve

