

Technical Information Bulletin

LED Outdoor Luminaires



Date: _____ Name of distributor: _____
 In hands date of project: _____ Client #: _____
 Project name/Number: _____ Name of end user: _____

ORDERING INFORMATION

Order code: 66924
 Description: FL/S3/100-277/230W/40K/YK/BZ/STD
 UPC: 69549669246
 Case quantity: 1

PHYSICAL DATA

Type: Flood Light
 Finish: Bronze Powder Coating
 Heat sink material: Diecast Aluminum
 Lens material: Polycarbonate
 Mounting: Yoke



PERFORMANCE DATA

Watts (W): 230
 Volts (VAC): 100-277
 Colour temp. (K)¹: 4 000
 Lumen output (lm)²: 31 312
 Lumen per Watts (lm/W): 132
 CRI: >70
 Life L70 (hrs)³: 50 000
 THD (%): <20
 Power factor: >0.9
 Surge protection (Kv): 10
 Frequency (Hz): 50/60
 Dimming: 0-10 V
 Operating temp. range: -40 °C to 40 °C (-40 °F to 104 °F)
 NEMA type: 7H x 7V
 B.U.G. rating: B5-U0-G3
 IK rating: IK10
 Photocell: No
 DLC Premium: PLXHZO88L4EJ

¹ Typical colour temperature range: +/- 5 %
² Lumen values are derived from photometric testing. Initial lumens range: +/- 10 %
³ Life hours are derived from IESNA LM80-08 testing report and projected per IESNA TM-21-11 extrapolations



DESCRIPTION AND OTHER OPTIONS

FL	/	S3	/	100-277	/	230W	/	40K	/	YK	/	BZ	/	STD
Type		Series		Volts		Watts		Colour Temperature		Mounting		Finish		Brand
FL ¹		Flood Light		S3 Series 3		100-277 100-277 VAC 277-480 277-480 VAC		100W 100 watts 150W 150 watts 230W 230 watts 300W 300 watts 400W 400 watts		40K 4 000 K 50K² 5 000 K		YK Yoke		BZ Bronze STD STANDARD

¹Wide flood 7H x 6V
²Contact your sales representative for availabilities and lead times on these products
 This lighting equipment complies with Canadian standard ICES-005 for use in residential applications.
 Data is based upon tests performed in a controlled environment and representative of relative performance.
 Actual performance can vary depending on operating conditions. Specifications are subject to change without notice.
 October 12, 2018

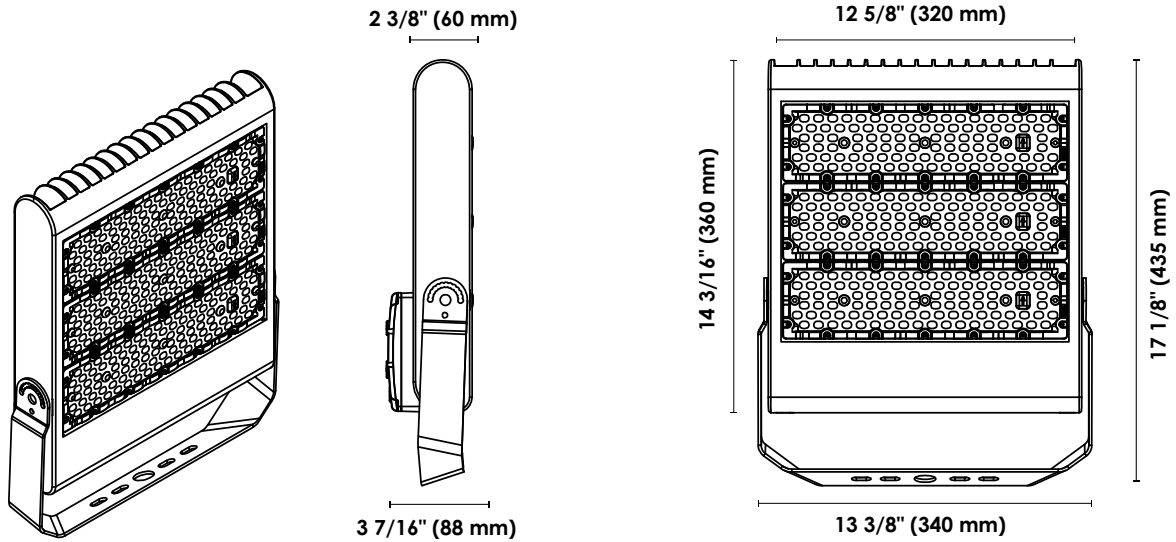
Technical Information Bulletin

LED Outdoor Luminaires

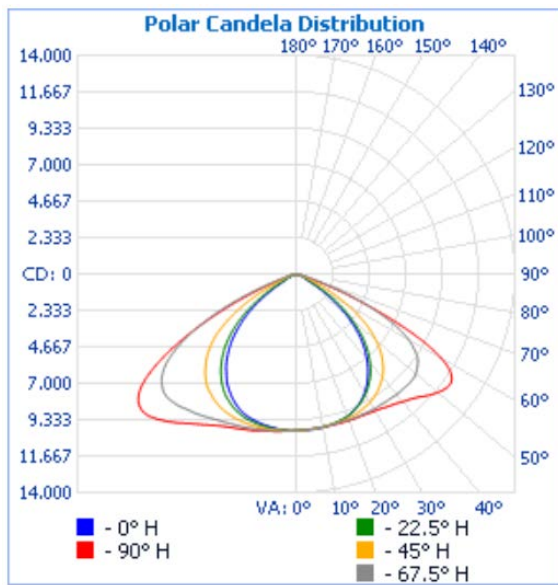


ORDER CODE: 66924

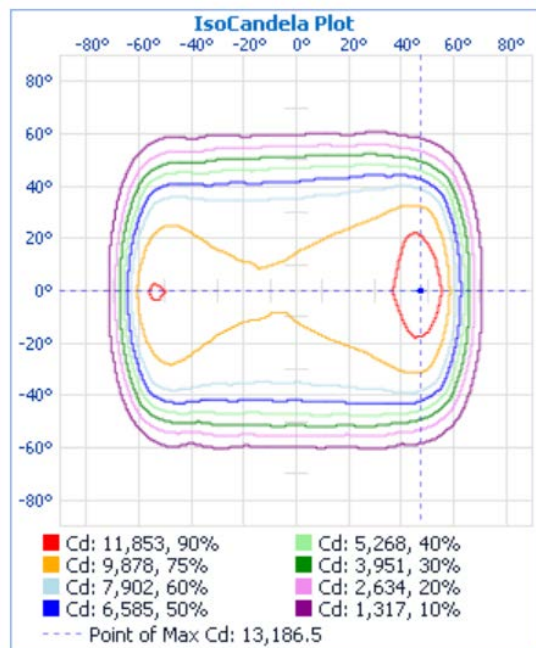
TECHNICAL DRAWINGS AND DIMENSIONS



POLAR CANDELA DISTRIBUTION*



ISO CANDELA PLOT*



*Complete IES files available on our website

Qty	Description	Price

I accept the specifications of the luminaire configuration mentioned above.

Name: _____

Company: _____

Signature: _____

Date: _____