

OVFL 1RH

1-Head LED Security Floodlight

Low Cost, Quick Payback

The OVFL 1RH LED security floodlight offers the lowest cost solution available for traditional security flood applications. Delivering 948 lumens at only 13 input watts, the OVFL 1RH replaces up to 90W incandescent lamps offering 86% energy savings. The unique, compact form is a great alternative to larger sized security PAR lamp holders and is ideal for residential, multi-family and multi-use applications requiring an economical solution.

- Replaces: Up to 90W incandescent lamps
- Lumens: 948
- Input Watts: 13W
- Voltage: 120V
- Color Temperature: 4000K
- Expected Service Life: Approximately 10 years (35,000 hours¹)
- Mounting: Easily mounts to ceiling or wall over a recessed junction box
- Ideal for residential and multi-use applications



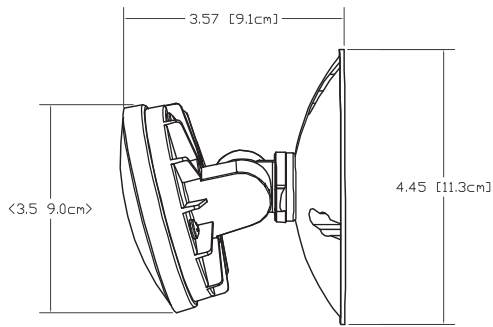
¹ LED lifespan based on IESNA LM-80-08 results and calculated per IESNA TM-21-11 methodology.

OVFL 1RH

Ordering Information

EXAMPLE: OVFL LED 1RH P1 40K 120 DDB HP17

Series		Light Heads	Color temperature	Voltage	Finish
OVFL LED	LED Floodlight	1RH P1 1 heads, round	40K 4000K ¹	120 120V	DDB HP17 Dark Bronze WH HP17 White



All dimensions are inches (centimeters) unless otherwise indicated.

Need more out of your LED luminaires?



Notes

- 1 Correlated Color Temperature (CCT) shown is nominal per ANSI C78,377-2008.
- 2 Based on 10 hours operation per day and energy costs of \$.11 per kWh. Savings from energy only, not including maintenance savings.



Visit www.lithonia.com for more information