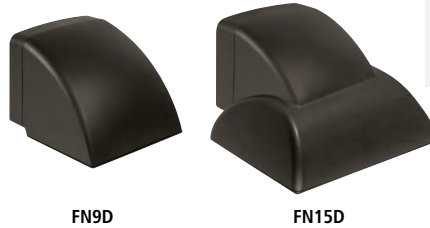


MILLENIUM FINITE™

FN SERIES – DEEP PROFILE

PRODUCT FEATURES:

- » Surface wall mount – 9" & 15" full cutoff
- » Full cut-off for IDA-approved Dark Sky installations
- » High impact, UV-stabilized polycarbonate housing
- » UL certified IP64 per IEC 60598
- » Peace of Mind Guarantee® against breakage



PROJECT INFORMATION

Job Name _____

Fixture Type _____

Catalog Number _____

Approved by _____

SPECIFICATIONS

HOUSING: High-impact resistant, UV-stabilized injection molded polycarbonate. Ballast housing marine-grade die-cast aluminum construction.

DOOR: High-impact resistant, UV-stabilized injection molded polycarbonate with detachable hinge. Secured to housing with four (4) captive, recessed Torx® (or optional Phillips head) stainless steel screws. Lens sealed with closed-cell silicone gasket and secured to door frame with heavy gauge stainless steel brackets.

GASKETING: Closed cell, silicone "O" ring gasket seals joint between polycarbonate housing and die-cast aluminum ballast housing and joint between polycarbonate housing and polycarbonate lens frame assembly. Thick gauge, die-cut, closed cell neoprene with self-adhesive gasket seals joint between housing and mounting surface or accessory surface conduit adapter.

ELECTRICAL: **LED:** Replaceable high-brightness ANSI 4000K (65 CRI min.), 5000K (65 CRI min.), and 5700K (70 CRI min.) white LED array. See Options for higher CRI lamp availability. 120-277VAC High Power Factor Electronic 0-10V Dimming Constant Current driver. **LE:** Fluorescent electronic 120/277/347 and dual voltage ballasts high power factor (<10% THD). HID ballasts high power factor. Metal halide lamps utilize pulse start technology. Shock absorbing, medium base lamp sockets provided for HID lamps. See Lamp Type for electronic metal halide ballast option.

INSTALLATION: Fixture is factory pre-wired and includes gasketed, 16-gauge stainless steel quick mounting plate. Once four-point mounted to wall (required for Peace of Mind Guarantee®) or accessory surface conduit adapter, allows quick mounting with hook-and-lock mechanism. Quick mounting plate bolts to wall (fasteners by other), fixture attaches to mounting plate with two (2) captive Torx® (or optional Phillips head) screws, which are concealed but accessible from bottom. Suitable for installation into -40°C to 40°C with 26L and 50L packages and -40°C to 25°C with 80L package.

SURFACE CONDUIT ADAPTER (ACCESSORY): Marine-grade die-cast aluminum construction includes die-cut gaskets and two 3/4" threaded connection ports. Once four-point mounted to wall (required for Peace of Mind Guarantee®) allows same quick mounting (hook-and-lock) capability as described in the Installation section above.

LISTINGS: UL and CUL listed for Wet Location. UL certified IP64 per IEC 60598. IESNA-designated full cut-off. IDA-Approved™ Dark-Sky Friendly Fixture.



ORDERING INFORMATION (Ex: FN15D-4-A-MB-100M-1-120)

Model	Optic System	Lens Type	Finish	Lamp Type	Lamp Qty	Voltage	Options	Accessories
Model	FN9D 9" Full Cutoff Deep Profile		FN15D 15" Full Cutoff Deep Profile					
	Optic System — FN9D (LED Only)		Optic System — FN15D					
	2	Type II		2	Type II			
	3	Type III		3	Type III (LED only)			
	4	Type IV		4	Type IV (LED, 1-Lamp, or 2-26P Lamps only)			
	4N	Type IV Narrow		4N	Type IV Narrow (LED only)			
	Lens Type		Finish					
	7	.187" Clear polycarbonate (n/a with two 42P lamps or HID)	MB	Matte Black				
	A	.250" Clear Tempered glass	MW	Matte White				
			DB	Dark Bronze				
			CC	Custom Color (Consult factory)				
			Lamp (Type/Qty/Ballast/Volt./Starting Temp)		Lamp Quantity (See Lamp Type)		Options	
			9"		1 One Lamp		LEL Integral Emergency Battery Backup (Available with FN15D, 26 Watt LED only)	
			26L40K 26 Watt 4000K LED		2 Two Lamps		2C* Two Circuit Wiring (2 Lamp Qty only) (n/a with EL Option)	
			26L50K 26 Watt 5000K LED		(n/a with EL or CEL Options)		BPC Photo Control – Button Type (120 or 277V only)	
			26L57K 26 Watt 5700K LED				EL One-Lamp Indoor Battery Pack (32°F) (CFL lamp only)	
			18Q 18 Watt Quad (2/RS/120,277,347/0°F)				CEL One Lamp Emergency Pack (0°F) (CFL lamp only) (15" only)	
			26P 26 Watt PLT (1,2/RS/120,277,347/0°F)				FS Single Fuse & Holder	
			32P 32 Watt PLT (1,2/RS/120,277,347/0°F)				PH Phillips Head Fastener	
			50M 50 Watt MH (1/HPF/120,277,347/-20°F)		Voltage		QR Quartz Restrike System for maximum 100W DC Bay Quartz Lamp (see 9009)(15" only)	
			50S 50 Watt HPS (1/HPF/120,277,347/-40°F)		120 120 Volts		QRC Hot/Cold Quartz Restrike (15" only)	
			70M 70 Watt MH (1/HPF/120,277,347/-20°F)		277 277 Volts		QS2 Two Quartz sockets (max. 50W ea.)(15" only)	
			70ME 70 Watt MH (1/EB/120,277/-20°F)		DV 120-277 Volts (fluorescent or LED only)			
			70S 70 Watt HPS (1/HPF/120,277,347/-40°F)		347*▲ 347 Volts			
			15"				Accessories	
			26L40K 26 Watt 4000K LED				9009 100 Watt DC Bay Quartz Lamp (15" only)	
			26L50K 26 Watt 5000K LED				50QL 50 Watt DC Bayonet Base Quartz Lamp (15" only)	
			26L57K 26 Watt 5700K LED				SA Die-Cast Surface Adapter	
			50L40K 50 Watt 4000K LED				▲ n/a with BPC	
			50L50K 50 Watt 5000K LED				* n/a with LED	
			50L57K 50 Watt 5700K LED					
			80L40K 80 Watt 4000K LED					
			80L50K 80 Watt 5000K LED					
			80L57K 80 Watt 5700K LED					
			26Q 26 Watt Quad (1,2/RS/120,277,347/0°F)					
			26P 26 Watt PLT (1,2/RS/120,277,347/0°F)					
			32P 32 Watt PLT (1,2/RS/120,277,347/0°F)					
			42P 42 Watt PLT (1,2/RS/120,277,347/0°F)					
			100M 100 Watt MH (1/HPF/120,277,347/-20°F)					
			100ME 100 Watt MH (1/EB/120,277/-20°F)					
			100S 100 Watt HPS (1/HPF/120,277,347/-40°F)					
			150M 150 Watt MH (1/CWA/120,277,347/-20°F)					
			150S 150 Watt HPS (1/HPF/120,277,347/-40°F)					



www.kenall.com

P: 800-4-Kenall

F: 262-891-9701

10200 55th Street Kenosha, Wisconsin 53144

When you see this image, you will know the Kenall product shown or described is designed and manufactured in the USA with components purchased from US suppliers, and meets the Buy American requirements under the ARRA. Kenall has not determined the origin of its domestically purchased components or the subcomponents thereof. May be covered by patents found at www.kenall.com/patents. Content of specification sheets is subject to change; please consult www.kenall.com for current product details. © 2015 Kenall Mfg. Co. All rights reserved.

MILLENIUM FINITE™

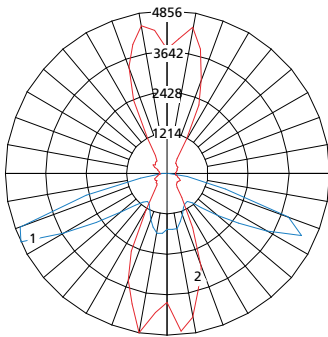
FN SERIES – DEEP PROFILE

PERFORMANCE

Model	Lamp Type	Initial Delivered Lumens (lm)				Efficacy (lm/W)	Input Power (W)	Drive Current (mA)	Estd. L70 LED Life (hrs)
		Type 2	Type 3	Type 4	Type 4N				
FN9L	26L40K	1699	1741	1695	1783	58-61	29	350	60,000
	26L50K	1811	1855	1806	1900	62-66	29	350	60,000
	26L57K	1936	1983	1931	2031	67-70	29	350	60,000
FN15L	26L40K	1769	1907	1842	1788	61-66	29	350	60,000
	26L50K	1884	2032	1963	1905	65-70	29	350	60,000
	26L57K	2015	2172	2098	2037	69-75	29	350	60,000
	50L40K	3685	3618	3705	3556	65-67	55	350	60,000
	50L50K	3927	3856	3948	3789	69-72	55	350	60,000
	50L57K	4199	4122	4221	4057	74-77	55	350	60,000
	80L40K	4653	4569	4679	4490	58-61	77	525	50,000
	80L50K	4958	4868	4985	4784	62-65	77	525	50,000
80L57K	5301	5205	5330	5115	66-69	77	525	50,000	

Information above was tested with the Clear Polycarbonate lens. Subject to change without notice. Visit www.kenall.com for IES files and additional information.

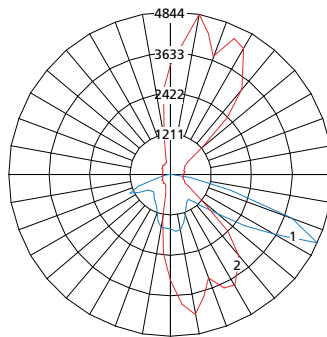
Model: FN15D-2-7-xx-80L50K-DV



Maximum Candela = 4856 Located At Horizontal Angle = 260, Vertical Angle = 65

- 1 - Vertical Plane Through Horizontal Angles (260-80) (Through Max. Cd.)
- 2 - Horizontal Cone Through Vertical Angle (65) (Through Max. Cd.)

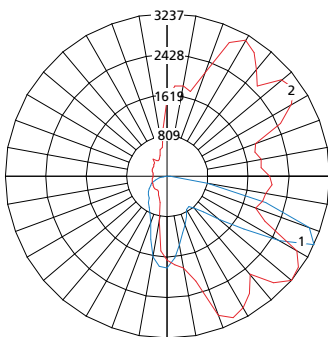
Model: FN15D-3-7-xx-80L50K-DV



Maximum Candela = 4844 Located At Horizontal Angle = 80, Vertical Angle = 65

- 1 - Vertical Plane Through Horizontal Angles (80-260) (Through Max. Cd.)
- 2 - Horizontal Cone Through Vertical Angle (65) (Through Max. Cd.)

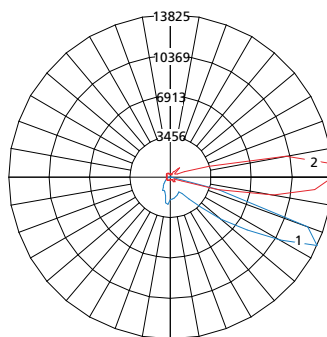
Model: FN15D-4-7-xx-80L50K-DV



Maximum Candela = 3237 Located At Horizontal Angle = 320, Vertical Angle = 65

- 1 - Vertical Plane Through Horizontal Angles (320-140) (Through Max. Cd.)
- 2 - Horizontal Cone Through Vertical Angle (65) (Through Max. Cd.)

Model: FN15D-4N-7-xx-80L50K-DV



Maximum Candela = 13825 Located At Horizontal Angle = 0, Vertical Angle = 65

- 1 - Vertical Plane Through Horizontal Angles (0-180) (Through Max. Cd.)
- 2 - Horizontal Cone Through Vertical Angle (65) (Through Max. Cd.)



www.kenall.com

P: 800-4-Kenall

F: 262-891-9701

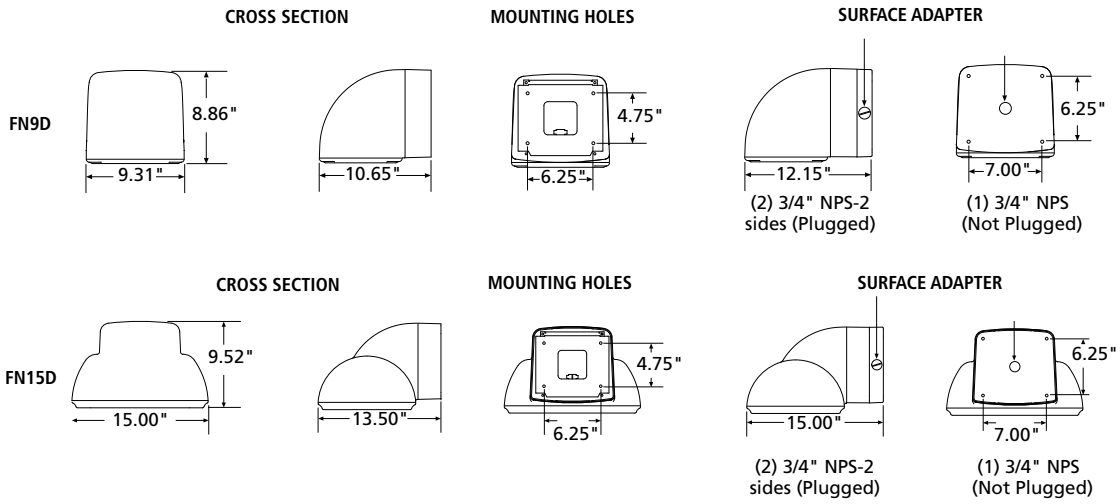
10200 55th Street Kenosha, Wisconsin 53144

When you see this image, you will know the Kenall product shown or described is designed and manufactured in the USA with components purchased from US suppliers, and meets the Buy American requirements under the ARRA. Kenall has not determined the origin of its domestically purchased components or the subcomponents thereof. May be covered by patents found at www.kenall.com/patents. Content of specification sheets is subject to change; please consult www.kenall.com for current product details. © 2015 Kenall Mfg. Co. All rights reserved.

MILLENIUM FINITE™

FN SERIES – Technical Data

DIMENSIONAL DATA



www.kenall.com

P: 800-4-Kenall

F: 262-891-9701

10200 55th Street Kenosha, Wisconsin 53144

When you see this image, you will know the Kenall product shown or described is designed and manufactured in the USA with components purchased from US suppliers, and meets the Buy American requirements under the ARRA. Kenall has not determined the origin of its domestically purchased components or the subcomponents thereof. May be covered by patents found at www.kenall.com/patents. Content of specification sheets is subject to change; please consult www.kenall.com for current product details. © 2015 Kenall Mfg. Co. All rights reserved.