

# C6 6" Triple Tube Vertical 26, 32 Watt Open Downlight, Wall Wash, Cross-Blade Louver - Performance Series



## Description

Vertical lamp design provides uniform light distribution with excellent brightness control. 50° visual cutoff to lamp and lamp image.

## Features

- Low iridescent finishes eliminate "rainbowing"
- Reflectors have self-flange trim of same finish. Painted white flange is optional
- Baffles have specular clear Alzak® upper reflector and painted white flange
- Vented die-cast socket housing maximizes lamp life and performance
- 120/277 universal voltage HPF electronic ballast
- Oversized junction box for ease of wiring
- Proprietary bar hanger system accommodates Tru-Lock bar hangers for suspended ceilings, 1/2" EMT, 3/4" & 1 1/2" C-channel and linear bars
- 3/4" max. ceiling thickness, consult factory for thicker ceilings
- UL/C-UL Listed for feed through and damp locations

**Rough-In**                      Ordering Example: **C6V-126/42T-BR**

Catalog No.	Description	Options
<b>C6V-126/42T</b>	1x26W or 32W Triple, 4-Pin	<b>347-347</b> Volt <b>BR</b> -Emergency Battery Back-up w/Remote Switch
<b>C6VW-126/42T</b>	1x26W or 32W Triple, 4-Pin for Double and Corner Wall Wash Reflectors	<b>BN</b> -Emergency Battery Back-up w/Integral Test Switch (open reflector only) <b>D10</b> -Dimming Ballast Advance Mark 10™ <sup>2</sup> <b>D7</b> -Dimming Ballast Advance Mark 7™ <b>DL</b> -Dimming Ballast Lutron Compact SE <sup>2,3</sup> <b>***F</b> -Fuse and Fuse Holder (where *** = voltage) <b>CP</b> -Chicago Plenum <sup>1</sup> <b>NV</b> -Non-vented Socket Cap

<sup>1</sup>Consult factory for availability.



<sup>2</sup>Add a -1 for 120V, a -2 for 277V.

<sup>3</sup>Lutron dimming ballast is wattage specific.

Example: 32W/120V = C6V-132T-DL-1

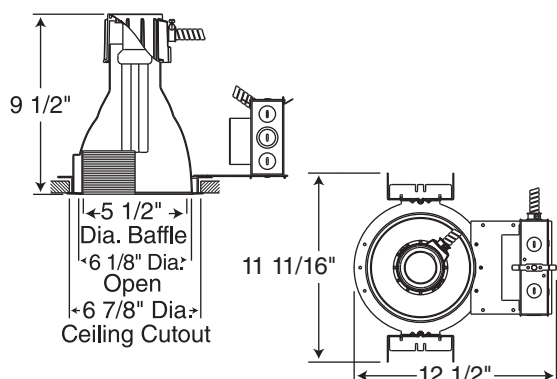
26W/277V = C6V-126T-DL-2

**Reflector**                      Ordering Example: **C600-CL-MAX26**

	Series		Color	Finish	Options
	<b>C600</b>	Open Reflector	<b>C</b> -Clear <b>G</b> -Gold	<b>Low Iridescent</b> <b>Alzak® Finishes:</b>	<b>WH</b> -White flange <b>MAX##</b> -Labeled for maximum wattage (where ## = wattage)
	<b>C600WS</b>	Single Wall Wash	<b>WT</b> -Wheat	<b>L</b> -Specular	<b>BN</b> -Hole for emergency test switch (open reflector only)
	<b>C600WD<sup>2</sup></b>	Double Wall Wash	<b>PT</b> -Pewter	<b>S</b> -Satin	
	<b>C600WC<sup>2</sup></b>	Corner Wall Wash	<b>BZ</b> -Bronze <b>B</b> -Black <b>W</b> -White	Blank for Baffle & White	
	<b>C600B</b>	Baffle			
	<b>C600X</b>	Cross-Blade Louver			

<sup>2</sup>For use with C6VW rough-in only.

## Dimensions



## Accessories

Catalog No.	Description
<b>HB-TL</b>	25" Tru-Lock Grid Ceiling Bar Hangers, Pair
<b>HB-52</b>	52" C-Channel Bar Hangers, Pair
<b>HB-28</b>	28" C-Channel Bar Hangers, Pair
<b>LB-27</b>	27" Linear Bar Hangers, Pair
<b>HB-4</b>	Bar Hanger conversion kit for wooden joists
<b>SCA6-*</b>	Sloped Ceiling Adapter

\*Angle must be specified when ordered; available in 5°, 10°, 15°, 20°, 25°, 30°. Example: SCA6-20.



## Features

- Specular clear Alzak® upper reflector
- Lower cone has self-flange trim of same finish. Painted white flange is optional
- Baffles have painted white flange
- Vented die-cast socket housing maximizes lamp life and performance
- 120/277 universal voltage HPF electronic ballast
- Oversized junction box for ease of wiring
- Proprietary bar hanger system accommodate Tru-Lock bar hangers for suspended ceilings, 1/2" EMT, 3/4" & 1 1/2" C-channel and linear bars
- 3/4" max. ceiling thickness, consult factory for thicker ceilings
- UL/C-UL Listed for feed through and damp locations



## Description

Ideal for food preparation/service areas, canopies and other applications where diffuse illumination and/or a shielded light source are appropriate.

**Rough-In**                      Ordering Example: **C6V-126/42T-BR**

Catalog No.	Description	Options
<b>C6V-126/42T</b>	1x26W or 32W Triple, 4-Pin	<b>347-347</b> Volt <b>BR</b> -Emergency Battery Back-up w/Remote Switch <b>D10</b> -Dimming Ballast Advance Mark 10™ <sup>2</sup> <b>D7</b> -Dimming Ballast Advance Mark 7™ <b>DL</b> -Dimming Ballast Lutron Compact SE <sup>2,3</sup> <b>***F</b> -Fuse and Fuse Holder (where *** = voltage) <b>CP</b> -Chicago Plenum <sup>1</sup> <b>NV</b> -Non-vented Socket Cap

<sup>1</sup>Consult factory for availability.

<sup>2</sup>Add a -1 for 120V, a -2 for 277V.

<sup>3</sup>Lutron dimming ballast is wattage specific.

Example: 32W/120V = C6V-132T-DL-1  
 26W/277V = C6V-126T-DL-2

**Lensed Trim**                      Ordering Example: **C600B-B-FG-MAX26**

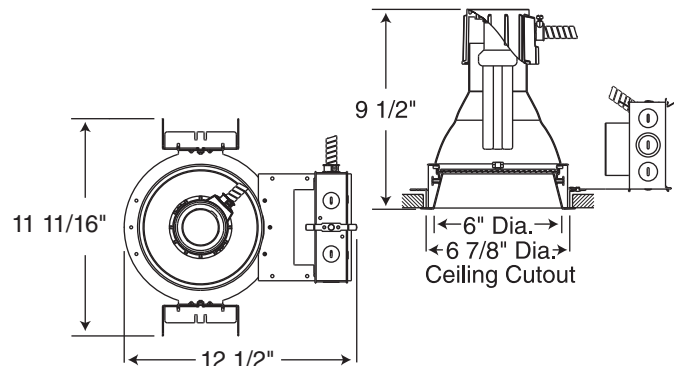
Series	Color	Finish	Lens Type	Options
 <b>C600LC</b> Lower Cone	<b>C</b> -Clear	<b>Alzak® Finishes:</b>	<b>CG</b> -Clear Glass	<b>WH</b> -White flange
	<b>G</b> -Gold	<b>L</b> -Specular	<b>PG</b> -Prismatic Glass	<b>MAX##</b> -Labeled for maximum wattage
	<b>WT</b> -Wheat	<b>S</b> -Satin	<b>FG</b> -Fresnel Glass	(where ## = wattage)
 <b>C600B</b> Lower Baffle	<b>PT</b> -Pewter	Blank for Black & White	<b>CP</b> -Clear Plastic	<b>WET</b> -Wet Location Listing
	<b>BZ</b> -Bronze		<b>PP</b> -Prismatic Plastic	
	<b>B</b> -Black (Baffle Only)			
	<b>W</b> -White			

## Accessories

Catalog No.	Description
<b>HB-TL</b>	25" Tru-Lock Grid Ceiling Bar Hangers, Pair
<b>HB-52</b>	52" C-Channel Bar Hangers, Pair
<b>HB-28</b>	28" C-Channel Bar Hangers, Pair
<b>LB-27</b>	27" Linear Bar Hangers, Pair
<b>HB-4</b>	Bar Hanger conversion kit for wooden joists
<b>SCA6-*</b>	Sloped Ceiling Adapter

\*Angle must be specified when ordered; available in 5°, 10°, 15°, 20°, 25°, 30°. Example: SCA6-20.

## Dimensions



Compact Fluorescent

Performance Series



JUNCO LIGHTING GROUP  
by Schneider Electric

# C6 6" Triple Tube Vertical 42W Open Downlight, Wall Wash, Cross Blade Louver - Performance Series



## Description

Vertical lamp design provides uniform light distribution with excellent brightness control. 50° visual cutoff to lamp and lamp image.

## Features

- Low iridescent finishes eliminate "rainbowing"
- Reflectors have self-flange trim of same finish. Painted white flange is optional
- Baffles have specular clear Alzak® upper reflector and painted white flange
- Vented die-cast socket housing maximizes lamp life and performance
- 120/277 universal voltage HPF electronic ballast
- Oversized junction box for ease of wiring
- Proprietary bar hanger system accommodates Tru-Lock bar hangers for suspended ceilings, 1/2" EMT, 3/4" & 1 1/2" C-channel and linear bars
- 3/4" max. ceiling thickness, consult factory for thicker ceilings
- UL/C-UL Listed for feed through and damp locations

## Rough-In

Ordering Example: **C6V-126/42T-BR**

Catalog No.	Description	Options
<b>C6V-126/42T</b>	1x42W Triple, 4-Pin	<b>347-347</b> Volt <b>BR</b> -Emergency Battery Back-up w/Remote Switch
<b>C6VW-126/42T</b>	1x42W Triple, 4-Pin, for Double and Corner Wall Wash Reflectors	<b>BN</b> -Emergency Battery Back-up w/Integral Test Switch (open reflector only) <b>D10</b> -Dimming Ballast Advance Mark 10™ <sup>2</sup> <b>D7</b> -Dimming Ballast Advance Mark 7™ <b>DL</b> -Dimming Ballast Lutron Compact SE <sup>2,3</sup> *** <b>F</b> -Fuse and Fuse Holder (where *** = voltage) <b>CP</b> -Chicago Plenum <sup>1</sup> <b>NV</b> -Non-vented Socket Cap

<sup>1</sup>Consult factory for availability.

<sup>2</sup>Add a-1 for 120V, a-2 for 277V.

<sup>3</sup>Lutron Dimming Ballast is wattage specific.

42W/120V = C6V-142T-DL-1

42W/277V = C6V-142T-DL-2

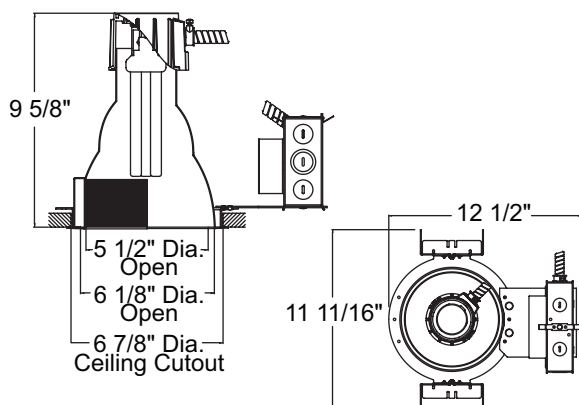
## Reflector

Ordering Example: **C600-42-CL-WH**

Series	Color	Finish	Options
<b>C600-42</b> Open Reflector	<b>C</b> -Clear	<b>Low Iridescent</b>	<b>WH</b> -White flange
<b>C600B-42</b> Baffle	<b>G</b> -Gold	<b>Alzak® Finishes:</b>	<b>BN</b> -Hole for emergency test switch (open reflector only)
<b>C600X-42</b>	<b>WT</b> -Wheat	<b>L</b> -Specular	
<b>C600WS-42</b>	<b>PT</b> -Pewter	<b>S</b> -Satin	
<b>C600WD-42<sup>4</sup></b>	<b>BZ</b> -Bronze	Blank for Baffle & White	
<b>C600WC-42<sup>4</sup></b>	<b>B</b> -Black		
	<b>W</b> -White		

<sup>4</sup>Use with C6VW only.

## Dimensions



## Accessories

Catalog No.	Description
<b>HB-TL</b>	25" Tru-Lock Grid Ceiling Bar Hangers, Pair
<b>HB-52</b>	52" C-Channel Bar Hangers, Pair
<b>HB-28</b>	28" C-Channel Bar Hangers, Pair
<b>LB-27</b>	27" Linear Bar Hangers, Pair
<b>SCA6-*</b>	Sloped Ceiling Adapter

\*Angle must be specified when ordered; available in 5°, 10°, 15°, 20°, 25°, 30°. Example: SCA6-20.



## Features

- Specular clear Alzak® upper reflector
- Lower cone has self-flange trim of same finish. Painted white flange is optional
- Baffles have painted white flange
- Vented die-cast socket housing maximizes lamp life and performance
- 120/277 universal voltage HPF electronic ballast
- Oversized junction box for ease of wiring
- Proprietary bar hanger system accommodate Tru-Lock bar hangers for suspended ceilings, 1/2" EMT, 3/4" & 1 1/2" C-channel and linear bars
- 3/4" max. ceiling thickness, consult factory for thicker ceilings
- UL/C-UL Listed for feed through and damp locations



## Description

Ideal for food preparation/service areas, canopies and other applications where diffuse illumination and/or a shielded light source are appropriate.

**Rough-In**                      Ordering Example: **C6V-126/42T-BR**

Catalog No.	Description	Options
<b>C6V-126/42T</b>	1x42W Triple, 4-Pin	<b>347-347</b> Volt <b>BR</b> -Emergency Battery Back-up w/Remote Switch <b>D10</b> -Dimming Ballast Advance Mark 10™ <sup>2</sup> <b>D7</b> -Dimming Ballast Advance Mark 7™ <b>DL</b> -Dimming Ballast Lutron Compact SE <sup>2,3</sup> <b>***F</b> -Fuse and Fuse Holder (where *** = voltage) <b>CP</b> -Chicago Plenum <sup>1</sup> <b>NV</b> -Non-vented Socket Cap

<sup>1</sup>Consult factory for availability.


<sup>2</sup>Add a-1 for 120V, a-2 for 277V.

<sup>3</sup>Lutron Dimming Ballast is wattage specific.

42W/120V = C6V-142T-DL-1

42W/277V = C6V-142T-DL-2

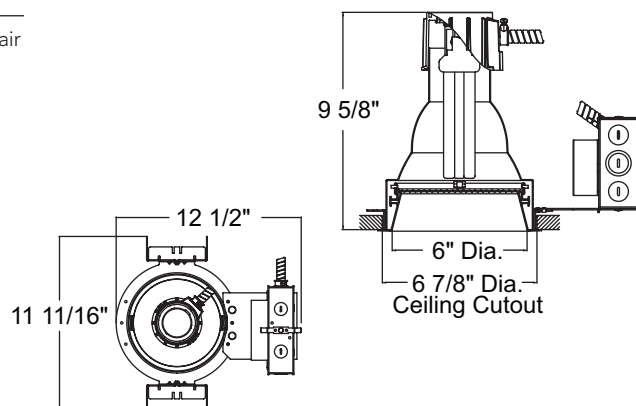
**Lensed Trim**                      Ordering Example: **C600LC-42-B-FG-WET**

	Series	Color	Finish	Lens Type	Options
	<b>C600LC-42</b> Lower Cone	<b>C</b> -Clear <b>G</b> -Gold <b>WT</b> -Wheat	<b>Alzak® Finishes:</b> <b>L</b> -Specular <b>S</b> -Satin  Blank for Black & White	<b>CG</b> -Clear Glass <b>PG</b> -Prismatic Glass <b>FG</b> -Fresnel Glass	<b>WH</b> -White flange <b>WET</b> -Wet Location Listing
	<b>C600B-42</b> Lower Baffle	<b>PT</b> -Pewter <b>BZ</b> -Bronze <b>B</b> -Black (Baffle Only) <b>W</b> -White			

## Accessories

Catalog No.	Description
<b>HB-TL</b>	25" Tru-Lock Grid Ceiling Bar Hangers, Pair
<b>HB-52</b>	52" C-Channel Bar Hangers, Pair
<b>HB-28</b>	28" C-Channel Bar Hangers, Pair
<b>LB-27</b>	27" Linear Bar Hangers, Pair
<b>SCA6-*</b>	Sloped Ceiling Adapter  *Angle must be specified when ordered; available in 5°, 10°, 15°, 20°, 25°, 30°. Example: SCA6-20.

## Dimensions



Compact Fluorescent

Performance Series



JUNCO LIGHTING GROUP  
by Schneider Electric