

## FEATURES & SPECIFICATIONS

### INTENDED USE

Recessed housing rated Non-IC. For new construction only.  
Approved for all ceiling and wiring types.

### CONSTRUCTION

Air-tight standard. Tested to meet current energy codes.  
Aluminum housing with galvanized steel pan.  
Galvanized bar hangers span up to 24" o.c. and feature stepped shank nail and positioning guide with integral T-bar locks. Two locking screws hold fixture in position.  
Galvanized steel junction box with four built in romex clamps; four 1/2" and two 3/4" knockouts with slots for pryout. Rated for through branch wiring.  
Maximum 4 (2 in; 2 out) No 12 AWG conductors. Rated for 90° C.  
Ground wire provided.  
Removable J-box doors for easy access.

### ELECTRICAL SYSTEM

Two-pin porcelain socket with heat shield.  
Thermal protection provided against improper insulation use.  
Electronic stepdown transformer is standard for 120V or 277V. The minimum starting temperature is 0° F, -18° C with short circuit protection and meets ANSI/IEEE C62.41 cat.A transient protection. 50W MR16 maximum.

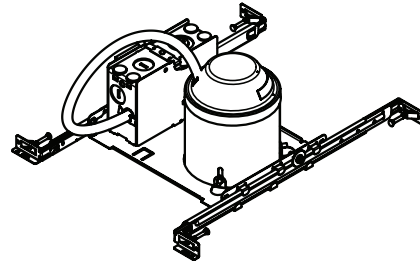
### INSTALLATION

2 x 8 wood joist or T-bar installation.  
Expandable bar hangers allow for off center mounting in wood joist or T-bar ceilings. Length of 25-1/4" maximum 13-1/4" minimum or cut to fit 7-1/2" on center joist construction.  
Vertical adjustment of housing allows for flush mounting with ceiling face.

### LISTING

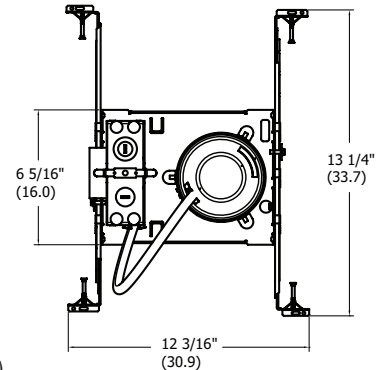
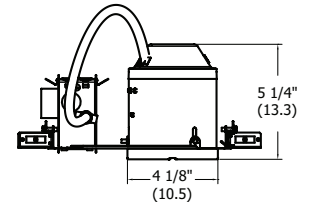
UL Listed to US and Canadian Standards. Damp location listing.  
NOTE: Specifications subject to change without notice.

Catalog Number	
Notes	Type



4" Housing  
**LV3**

**LOW VOLTAGE**  
Non-IC  
New Construction



### Specifications

Height: 5-1/4 (13.3)  
Length: 13-1/4 (33.7)  
Width: 12-3/16 (30.9)  
Ceiling opening: 4-3/16 (10.6)

All dimensions are inches (centimeters).

## ORDERING INFORMATION

Lead times will vary depending on options selected. Consult with your sales representative.

Example: LV3 120

<b>LV3</b>		
Series	Voltage	Options
LV3	120 <sup>1</sup> 277 <sup>2</sup>	Shipped installed in fixture PHC Poke-home wire connectors.

### Accessories:

Order as separate catalog number.  
ATK3 Airtight kit

### NOTES:

- 1 Use dimmers designed for electronic transformers.
  - 2 Dimming not available.
- See trim summary on reverse side for maximum wattages.

# 3V Series 4" Low Voltage LV3 Reflector Trims

Description Catalog number	Maximum wattage Sheet number	Description Catalog number	Maximum wattage Sheet number
-------------------------------	---------------------------------	-------------------------------	---------------------------------

## General/Task

Open, Adjustable  
**3V01AZ** Clear Specular  
**3V01GZ** Gold Specular  
**3V01BLZ** Black Specular



50 MR16

Non-IC ROPN-290

Baffle, Adjustable  
**3VB1** Black  
**3VB1W** White



50 MR16

Non-IC RBAF-250

Baffle Slotted Adjustable  
**3VA5** White



50 MR16

Non-IC RADJ-240

Pinhole Wide Flange  
**3VS1** White



50 MR16

Non-IC RWLL-210

## Accent/Wallwash

Eyeball  
**3VE1** White



50 MR16

Non-IC RADJ-220

Baffle Eyeball  
**3VE2** Black  
**3VE2W** White



50 MR16

Non-IC RADJ-230

Eyelid Wallwasher  
**3VW1** White



50 MR16

Non-IC RWLL-190

Directional Wallwash  
**3VDW1W** White



50 MR16

Non-IC RWLL-180

NOTES:  
 Maximum wattage listed.